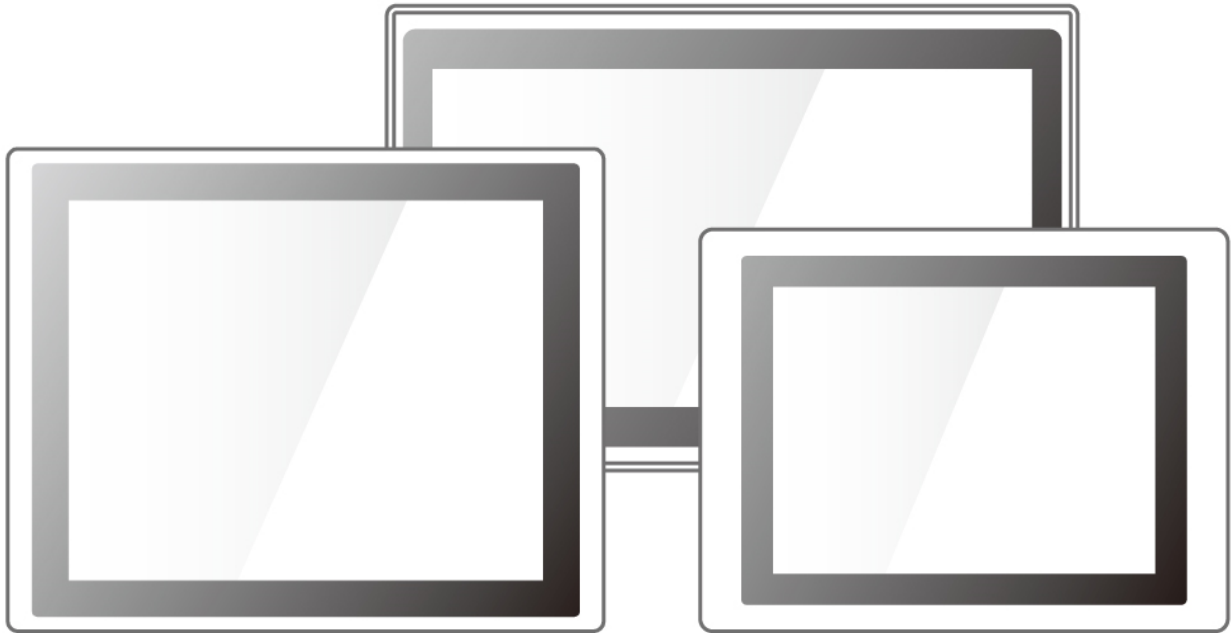


Multi-Touch PCAP Panel Mount Display 8.4"~21.5"



User Manual

Contents

| | |
|--|-----------|
| Preface | 3 |
| About This User Manual..... | 6 |
| Chapter 1: Introduction | 7 |
| 1.1 Overview | 8 |
| 1.2 Product Features..... | 8 |
| 1.3 Package Contents..... | 8 |
| 1.4 Product Overview..... | 9 |
| 1.5 Connector Description..... | 10 |
| 1.6 OSD Control Panel..... | 10 |
| 1.6.1 Control Buttons..... | 10 |
| 1.6.2 LED Indicators | 11 |
| Chapter 2: Installation | 12 |
| 2.1 Wiring Requirements..... | 13 |
| 2.2 Mounting Guide..... | 13 |
| 2.2.1 Panel Mount | 13 |
| 2.2.2 VESA Mount | 15 |
| 2.3 Cable Mounting Considerations..... | 15 |
| 2.4 Connecting Power..... | 16 |
| 2.5 Connecting Peripherals..... | 16 |
| 2.5.1 VGA Connector | 16 |
| 2.5.2 HDMI Connector..... | 17 |
| Chapter 3: Operating the Device | 18 |
| 3.1 Turning on the System | 19 |
| 3.2 OSD Menu Navigation | 20 |
| 3.3 Troubleshooting Guide..... | 21 |
| Appendix | 22 |
| Appendix A: Resolution Table..... | 23 |
| Appendix B: Frequency Table..... | 23 |

Preface

Copyright Notice

No part of this document may be reproduced, copied, translated, or transmitted in any form or by any means, electronic or mechanical, for any purpose, without the prior written permission of the original manufacturer.

Trademark Acknowledgement

Brand and product names are trademarks or registered trademarks of their respective owners.

Disclaimer

We reserve the right to make changes, without notice, to any product, including circuits and/or software described or contained in this manual in order to improve design and/or performance. We assume no responsibility or liability for the use of the described product(s) conveys no license or title under any patent, copyright, or masks work rights to these products, and make no representations or warranties that these products are free from patent, copyright, or mask work right infringement, unless otherwise specified. Applications that are described in this manual are for illustration purposes only. We make no representation or guarantee that such application will be suitable for the specified use without further testing or modification.

Warranty

Our warranty guarantees that each of its products will be free from material and workmanship defects for a period of one year from the invoice date. If the customer discovers a defect, we will, at his/her option, repair or replace the defective product at no charge to the customer, provide it is returned during the warranty period of one year, with transportation charges prepaid. The returned product must be properly packaged in its original packaging to obtain warranty service. If the serial number and the product shipping data differ by over 30 days, the in-warranty service will be made according to the shipping date. In the serial numbers the third and fourth two digits give the year of manufacture, and the fifth digit means the month (e. g., with A for October, B for November and C for December).

For example, the serial number 1W16Axxxxxxx means October of year 2016.

Customer Service

We provide a service guide for any problem by the following steps: First, visit the website of our distributor to find the update information about the product. Second, contact with your distributor, sales representative, or our customer service center for technical support if you need additional assistance.

You may need the following information ready before you call:

- Product serial number
- Software (OS, version, application software, etc.)
- Description of complete problem
- The exact wording of any error messages

In addition, free technical support is available from our engineers every business day. We are always ready to give advice on application requirements or specific information on the installation and operation of any of our products.

Naming Rule

W08LXXX-PPU1

| Item | Description |
|------|-------------------------------------|
| W | Panel Type |
| 08 | Panel Size |
| LXXX | Product Size |
| PP | Mechanical Type (P-Cap Panel Mount) |
| T1 | Panel Model |

Advisory Conventions

Four types of advisories are used throughout the user manual to provide helpful information or to alert you to the potential for hardware damage or personal injury. These are Notes, Important, Cautions, and Warnings. The following is an example of each type of advisory.



Note:

A note is used to emphasize helpful information



Important:

An important note indicates information that is important for you to know.



Caution A Caution alert indicates potential damage to hardware and explains how to avoid the potential problem.

Attention Unealerted' attention indique un dommage possible à l'équipement et explique comment éviter le problem potentiel.



Warning! An Electrical Shock Warning indicates the potential harm from electrical hazards and how to avoid the potential problem.

Avertissement! Un Avertissement de Choc Électrique indique le potentiel de choc sur des emplacements électriques et comment éviter ces problèmes.



Earth Ground The Protective Conductor Terminal (Earth Ground) symbol indicates the potential risk of serious electrical shock due to improper grounding.

Mise à la Terre Le symbole de Mise à Terre indique le risqué potentiel de choc électrique grave à la terre incorrecte.

Safety Information



Warning! Always completely disconnect the power cord from your chassis whenever you work with the hardware. Do not make connections while the power is on. Sensitive electronic components can be damaged by sudden power surges. Only experienced electronics personnel should open the PC chassis.

Avertissement! Toujours débrancher le cordon d'alimentation du chassis lorsque vous travaillez sur celui-ci. Ne pas brancher de connexions lorsque l'alimentation est présente. Des composants électroniques sensibles peuvent être endommagés par des sauts d'alimentation. Seulement du personnel expérimenté devrait ouvrir ces chassis.



Caution Always ground yourself to remove any static charge before touching the CPU card. Modern electronic devices are very sensitive to static electric charges. As a safety precaution, use a grounding wrist strap at all times. Place all electronic components in a static-dissipative surface or static-shielded bag when they are not in the chassis.

Attention Toujours vérifier votre mise à la terre afin d'éliminer toute charge statique avant de toucher la carte CPU. Les équipements électroniques modernes sont très sensibles aux décharges d'électricité statique. Toujours utiliser un bracelet de mise à la terre comme précaution. Placer toutes les composantes électroniques sur une surface conçue pour dissiper les charges, ou dans un sac anti-statique lorsqu'elles ne sont pas dans le chassis.

Safety Precautions

For your safety carefully read all the safety instructions before using the device. Keep this user manual for future reference.

- Always disconnect this equipment from any AC outlet before cleaning. Do not use liquid or spray detergents for cleaning. Use a damp cloth.
- For pluggable equipment, the power outlet must be installed near the equipment and must be easily accessible.
- Keep this equipment away from humidity.
- Put this equipment on a reliable surface during installation. Dropping it or letting it fall could cause damage.
- The openings on the enclosure are for air convection and to protect the equipment from overheating.
- Before connecting the equipment to the power outlet make sure the voltage of the power source is correct.
- Position the power cord so that people cannot step on it. Do not place anything over the power cord.
- If the equipment is not used for a long time, disconnect it from the power source to avoid damage by transient over-voltage.
- Never pour any liquid into an opening. This could cause fire or electrical shock.
- Never open the equipment. For safety reasons, only qualified service personnel should open the equipment.
- All cautions and warnings on the equipment should be noted.
- Always ground yourself to remove any static charge before touching the board.

About This User Manual

This User Manual provides information about using the Winmate® Multi-Touch PCAP Panel Mount Display. The documentation set provides information for specific user needs, and includes:

- **Multi-Touch PCAP Panel Mount Display User Manual** – contains detailed description on how to use the display, its components and features.



Note:

Some pictures in this guide are samples and can differ from actual product.

Document Revision History

| Version | Date | Note |
|---------|-------------|---|
| 1.0 | 7-Dec-2018 | New document release. |
| 1.1 | 31-Aug-2020 | Standard video input change to 1 x VGA (D-sub 15), 1 x HDMI (Type-A). |
| 1.2 | 11-Sep-2020 | Revise resolution table, frequency table. |

Chapter 1: Introduction

This chapter gives you product overview, describes features and hardware specification. You will find all accessories that come with the display device in the packing list. Mechanical dimensions and drawings included in this chapter.

1.1 Overview

Congratulations on purchasing Winmate® Multi-Touch PCAP Panel Mount Display. Versatile display in an open-frame housing designed for wall mount and VESA mount solutions for industrial applications.

1.2 Product Features

Multi-Touch PCAP Panel Mount Display features:

- 8.4"-23.8" TFT LCD
- Standard 1 x VGA (D-sub 15), 1 x HDMI (Type-A)
- Front IP65 water and dust proof
- Suitable for industrial applications

1.3 Package Contents

Carefully remove the box and unpack your display. Please check if all the items listed below are inside your package. If any of these items are missing or damaged contact us immediately.

Standard factory shipment list:



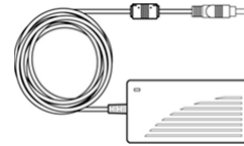
- **Display**

Varies by product



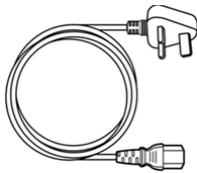
- **User Manual (Hardcopy)**

Part No. 915211101030



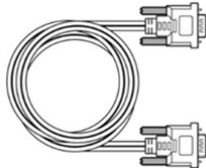
- **110~240V AC Power Adapter**

Varies by product



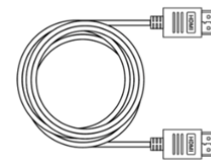
- **Power Cord**

Varies by country



- **VGA Cable**

Part No. 9441151150P4



- **HDMI Cable**

Part No.94E0190190P3

1.4 Product Overview

This section describes physical appearance of the Multi-Touch PCAP Panel Mount Display.



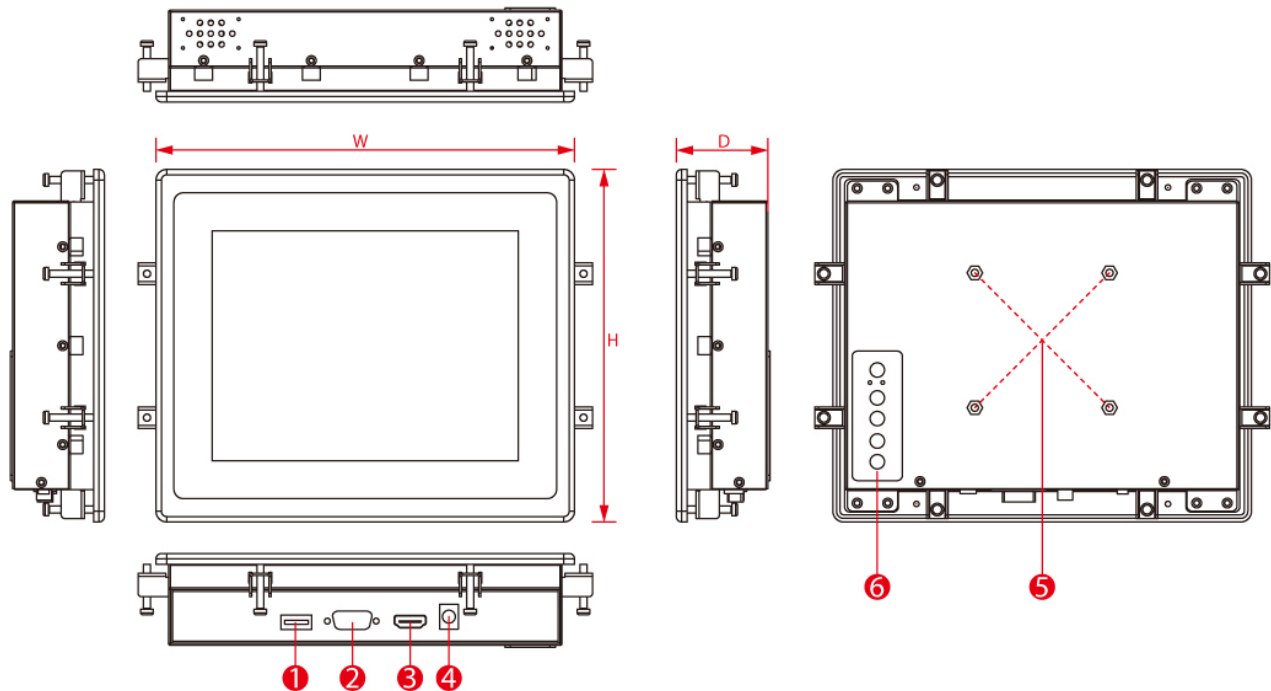
Note:

Notice that standard input terminals include VGA and HDMI. Your device may be equipped with other input terminals based on your order.



Note:

Notice that input and output connectors vary by product size and specifications. The picture above shows only a prototype model for information purposes only. The location of OSD panel may vary by model. Refer to a product datasheet for more details.



| No | Description | No | Description |
|----|---------------|----|--------------------|
| ① | USB for Touch | ④ | DC-in |
| ② | VGA | ⑤ | VESA mount |
| ③ | HDMI | ⑥ | OSD Control Panel* |

1.5 Connector Description

This section describes physical appearance of the display.







Note:

Notice that standard input terminals include VGA and HDMI. Your device may be equipped with other input terminals based on your order.

Notice that input and output connectors vary by product size and specifications.

Connectors are located on the bottom side.

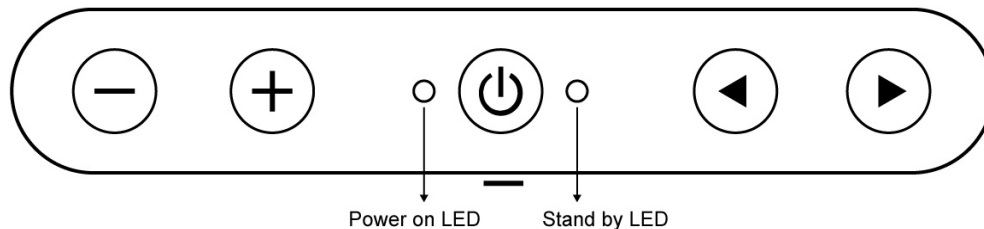
| Item | Description |
|---|--|
|  | USB for Touch – Connects USB for touch capabilities. <i>Example: A touch to display.</i> |
|  | VGA (RGB) –Transmits video from a PC to a monitor. <i>Example: A notebook PC to a monitor.</i> |
|  | HDMI –Transmits and protects copyrighted digital video and audio. <i>Example: An HD tuner to an HD ready TV.</i> |
|  | Power Jack – Connects computer to source of power. |






1.6 OSD Control Panel

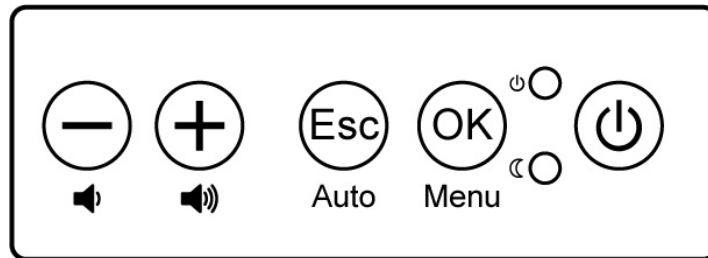
1.6.1 Control Buttons






OSD control panel is located on the rear side of the display. OSD control panel varies by product specifications.

Type A




| Icon | Function |
|---|-----------------------------------|
|  | Decrease the value / Select up |
|  | Increase the value / Select down |
|  | Power switch |
|  | Select left |
|  | Select right / Call main OSD menu |

Type B

| Icon | Function |
|---|----------------------------------|
|  | Decrease the value / Select up |
|  | Increase the value / Select down |
|  | Power switch |
|  | Exit / Auto adjustment |
|  | Enter / Call main OSD menu |

1.6.2 LED Indicators

LED indicators are located on the OSD control panel the rear side of the display.

| Icon | Description | Function |
|---|--------------------|--|
|  | Power Indicator | Lights up in "Green" when the monitor turn on |
|  | Stand by Indicator | Lights up in "Orange" when the device cannot detect any input source |

Chapter 2: Installation

This chapter provides hardware installation instructions and mounting guide for all available mounting options. Pay attention to cautions and warning to avoid any damages



2.1 Wiring Requirements

The following common safety precautions should be observed before installing any electronic device:

- Strive to use separate, non-intersecting paths to route power and networking wires. If power wiring and device wiring paths must cross make sure the wires are perpendicular at the intersection point.
- Keep the wires separated according to interface. The rule of thumb is that wiring that shares similar electrical characteristics may be bundled together.
- Do not bundle input wiring with output wiring. Keep them separate.
- When necessary, it is strongly advised that you label wiring to all devices in the system.
- Do not run signal or communication wiring and power wiring in the same conduit. To avoid interference, wires with different signal characteristics (i.e., different interfaces) should be routed separately.
- Be sure to disconnect the power cord before installing and/or wiring your device.
- Verify the maximum possible current for each wire gauge, especially for the power cords. Observe all electrical codes dictating the maximum current allowable for each wire gauge.
- If the current goes above the maximum ratings, the wiring could overheat, causing serious damage to your equipment.

Be careful when handling the unit. When the unit is plugged in, the internal components generate a lot of heat which may leave the outer casing too hot to touch.

2.2 Mounting Guide

The Panel Mount Display supports different installation methods, including panel mount, VESA mount. Refer to sub-sections below for more details.



Caution/Follow mounting instructions and use recommended mounting hardware to avoid the risk of injury.

Attention Suivez les instructions de montage et d'utilisation recommandé le matériel de montage pour éviter le risque de blessure.

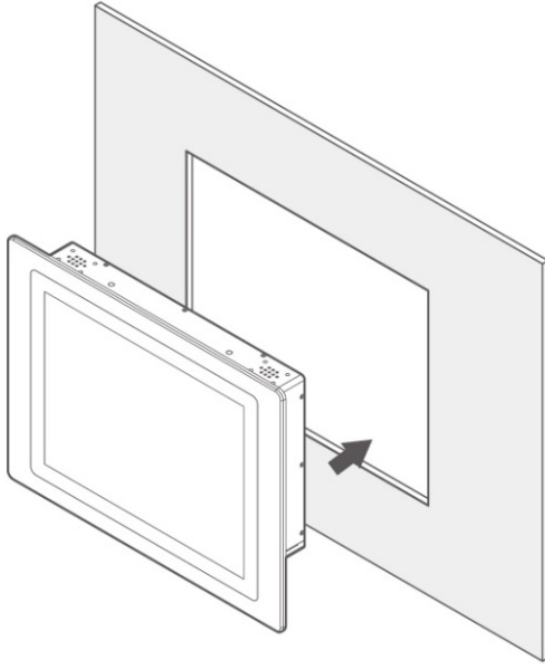
2.2.1 Panel Mount

The Panel Mount Display comes with clamp mounts that enable you to install the unit onto a wall (where space has been cut out to accommodate the rest of the hardware).

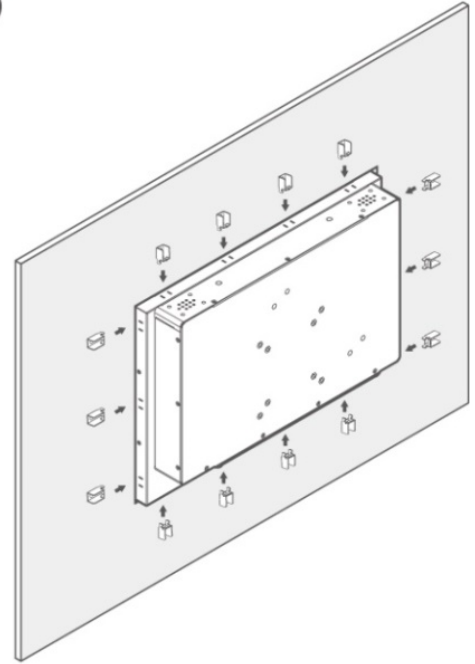
Installation Instruction

1. Make a cutout on the fixture (ex. wall) according to the cutout dimensions of the display. Based on the drawing, mark screw holes on a front side of the fixture. Place display on the fixture from the rear side.
2. Install mounting clamps to its location all around the perimeter of the panel PC
3. Use electric screwdriver to fasten M3 screws from the front side.
4. You complete the installation. Please connect all the peripherals if needed.

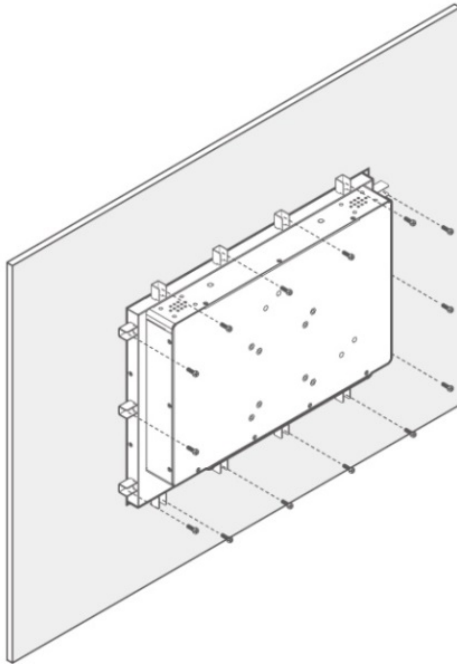
1



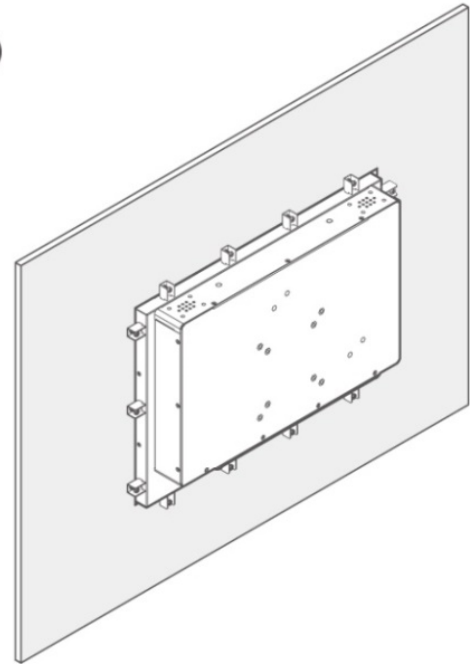
2



3



4

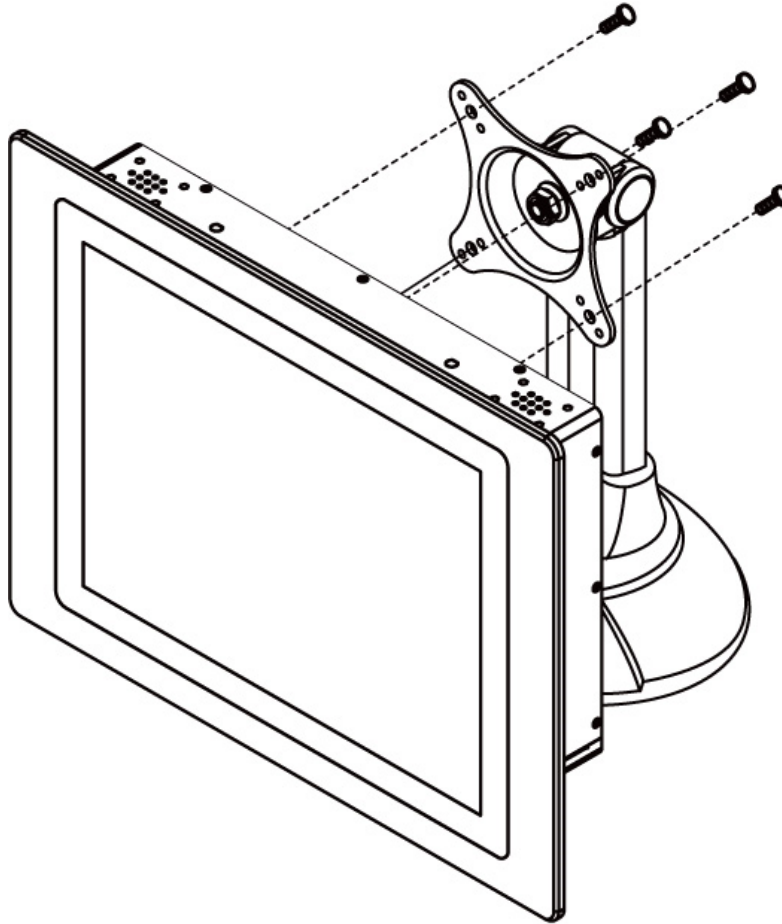


2.2.2 VESA Mount

Panel Mount Display comes with VESA holes for wall/ desk mounting. *Notice that VESA stand and mounting kit are not provided by Winmate.*

Installation Instruction:

1. Screw VESA bracket to the fixture (ex. swing arm) with four VESA screws.
2. Place the device on VESA bracket.



2.3 Cable Mounting Considerations

For a nice look and safe installation, make sure cables are neatly hidden behind the device.



Caution Observe all local installation requirements for connection cable type and protection level.

Attention Suivre tous les règlements locaux d'installations, de câblage et niveaux de protection.



Caution Turn off the device and disconnect other peripherals before installation.

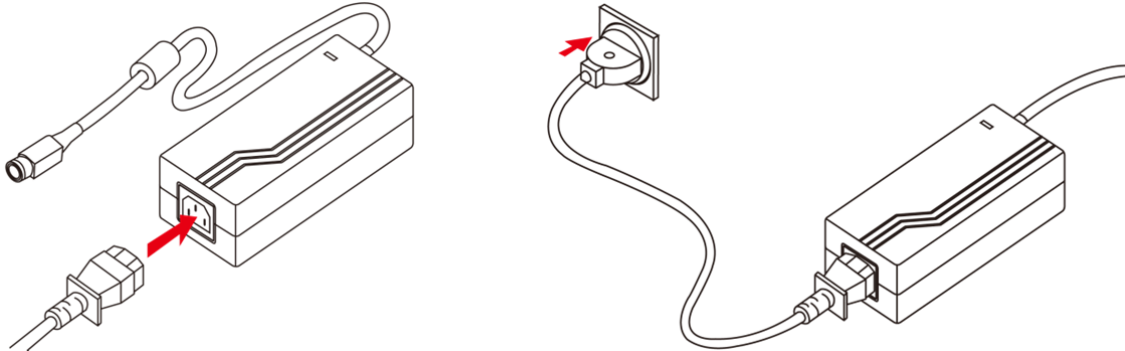
Attention Éteindre l'appareil et débrancher tous les périphériques avant l'installation.

2.4 Connecting Power

This section provides information on how to use connectors on the Panel Mount Display. Be cautious while working with these modules. Please carefully read the content of this chapter in order to avoid any damages.

Installation instruction:

1. Connect the AC cord to the AC IN terminal on the AC adaptor.
2. Connect the DC OUT terminal of the AC adaptor to the DC IN terminal on the monitor.
3. Align the notch on the cord connector with the guiding groove and plug it in.
4. Connect the AC cord plug to the power outlet.



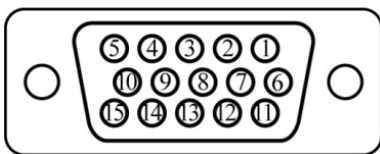
2.5 Connecting Peripherals

The panel control port is designed for monitors that work with a variety of compatible video sources. Due to the possible deviations between these signal sources, you may have to make adjustments to the monitor settings from the OSD menu when switching between these sources.

2.5.1 VGA Connector

Panel Mount Display uses standard 15pin D-sub connector. Plug 15-pin VGA signal cable to the VGA connector in the rear of motherboard, and plug the other end to the monitor. Secure cable connectors with hexagonal copper pillars M3x4mm.

Pin assignment and signal names for VGA connector



| Pin № | Signal Name | Pin № | Signal Name |
|-------|-------------|-------|-------------|
| 1 | RED | 2 | GREEN |
| 3 | BLUE | 4 | NC |
| 5 | GND | 6 | AGND |
| 7 | AGND | 8 | AGND |
| 9 | VGA_5V | 10 | GND |
| 11 | NC | 12 | DDCSDA |
| 13 | H Sync | 14 | V Sync |
| 15 | DDCSCL | | |

2.5.2 HDMI Connector

Plug HDMI signal cable to the HDMI connector on the rear side of PC system, and plug the other end to the monitor.

Pin assignment and signal names for HDMI connector



| Pin № | Signal Name | Pin № | Signal Name |
|-------|--------------|-------|--------------|
| 1 | HDMI_RX2+ | 2 | GND |
| 3 | HDMI_RX2- | 4 | HDMI_RX1+ |
| 5 | GND | 6 | HDMI_RX1- |
| 7 | HDMI_RX0+ | 8 | GND |
| 9 | HDMI_RX0- | 10 | HDMI_RXC+ |
| 11 | GND | 12 | HDMI_RXC- |
| 13 | HDMI_CON_CEC | 14 | NC |
| 15 | HDMI_CON_SCL | 16 | HDMI_CON_SDA |
| 17 | GND | 18 | +5V_HDMI |
| 19 | HDMI_CON_HP | | |

Chapter 3: Operating the Device

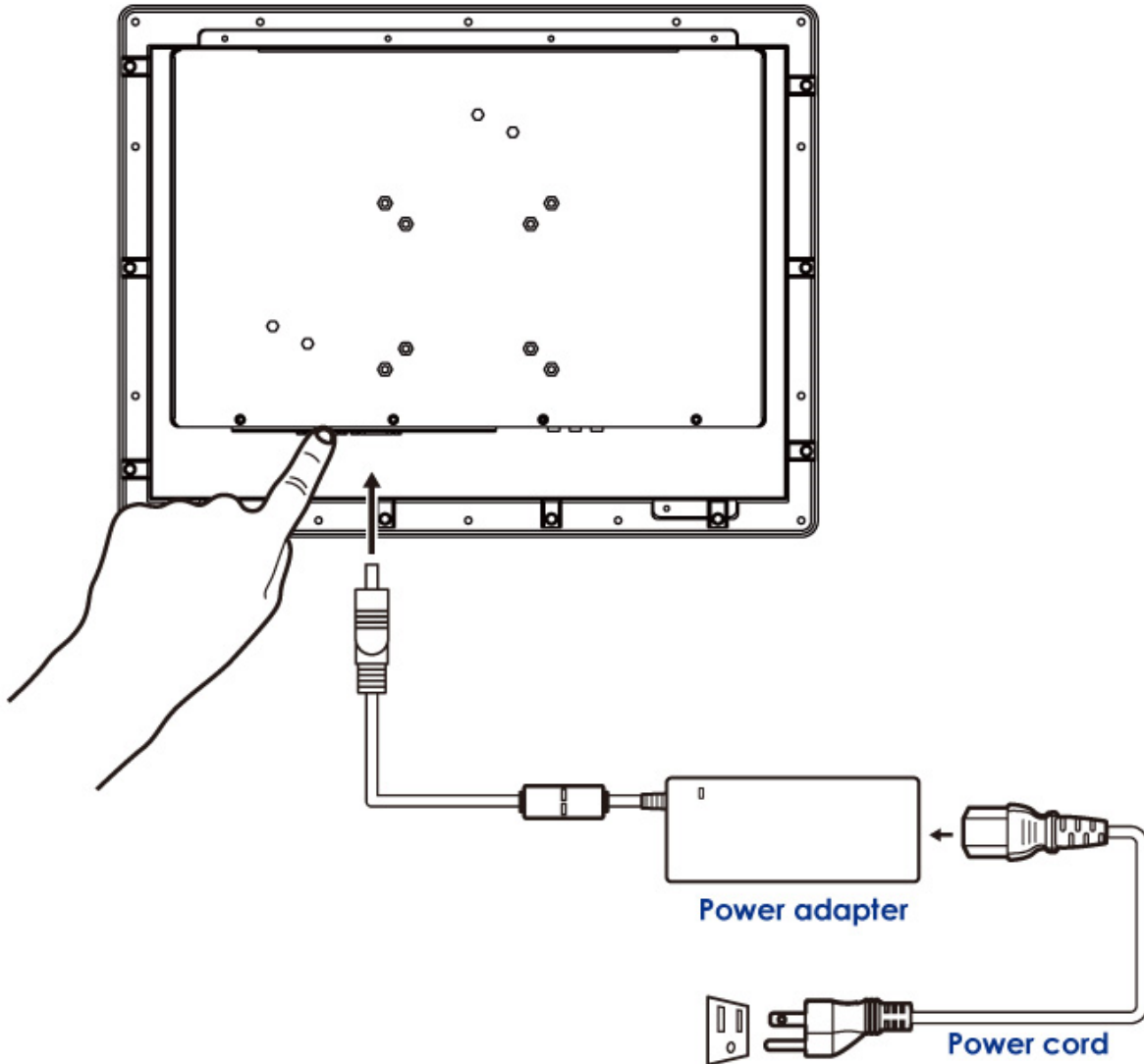
In this chapter you will find instructions on how to operate the display.







3.1 Turning on the System

To turn on the system:

1. Connect the power adapter cable to the DC input of the display.
2. Connect the power cord to the power adapter.
3. Connect the power cord to a power outlet.
4. Press the power button located on the OSD control panel on the rear to turn on the system.



3.2 OSD Menu Navigation

| OSD Icon | Sub-menu | Settings | Note |
|---|--|---------------------------|----------------|
|  BRICONTRAST | BRIGHTNESS | slider bar | Default 50 |
| | Use to adjust the screen's brightness. Range 0 to 100 | | |
| | CONTRAST | slider bar | Default 50 |
| Use to adjust the screen's contrast. Range 0 to 100 | | | |
|  POSITION | H POSITION | slider bar | Default 50 |
| | Use to adjust the image to the left or right on the screen. Range 0 to 100 | | |
| | V POSITION | slider bar | Default 50 |
| Use to adjust the image up or down on the screen. Range 0 to 100 | | | |
|  IMAGE | AUTO | Select and execute | |
| | Use to choose the best settings for the current input signal | | |
| | CLOCK | slider bar | Default 50 |
| | Use to adjust the value of horizontal image. Range 0 to 100 | | |
| | PAHSE | slider bar | Default 50 |
| | Use to adjust the phase control (Phase adjustment may be required to optimize the display quality) | | |
| WHITE BALANCE | Select and execute | | |
| Use to set RGB signal voltage level | | | |
|  COLOR | USER | R.G.B slider bar | |
| | Choose RED/GREEN/BLUE to set value of color temperature brightness to suit your own preference | | |
| | 9300K | Select and execute | |
| | Use to set value of monitor for the CIE coordinate 9300 color temperature | | |
| | 6500K | Select and execute | |
| | Use to set value of monitor for the CIE coordinate 6500 color temperature | | |
| ADC BRIGHTNESS | slider bar | Default 50 | |
| Set value of monitor for ADC Brightness. Range 0 to 100 | | | |
| XII GAMMA | GAMMA 0 | Select and execute | Default GAMMA0 |
| | Choose the parameter of GAMMA 0 as default setting. | | |
| | GAMMA 1 | Select and execute | |
| | Choose the parameter of GAMMA 1 as default setting. | | |
| | GAMMA 2 | Select and execute | |
| Choose the parameter of GAMMA 2 as default setting. | | | |
| OP OPTION | VR Brightness | ON/OFF | Default OFF |
| | Choose the brightness control mode by VR control | | |
| | Volume | slider bar | Default 10 |
| | Use to set value of Volume | | |
| | Speaker | ON/OFF | Default OFF |
| Use to set value of Volume Speaker | | | |

3.3 Troubleshooting Guide

If your monitor fails to operate correctly, check the following chart for possible solution before calling for repairs:

| Condition | Check Point |
|--|--|
| The picture does not appear | <ul style="list-style-type: none"> • Check if the signal cable is firmly seated in the socket. • Check if the Power is ON at the computer • Check if the brightness control is at the appropriate position, not at the minimum. |
| The screen is not synchronized | <ul style="list-style-type: none"> • Check if the signal cable is firmly seated in the socket. • Check if the output level matches the input level of your computer. • Make sure the signal timings of the computer system are within the specification of the monitor. • If your computer was working with a CRT monitor, you should check the current signal timing and turn off your computer before you connect the VGA Cable to this monitor. |
| The position of the screen is not in the center | <ul style="list-style-type: none"> • Adjust the H-position, and V-position, or Perform the Auto adjustment. |
| The screen is too bright (too dark) | <ul style="list-style-type: none"> • Check if the brightness or contrast control is at the appropriate position, not at the Maximum (Minimum). |
| The screen is shaking or waving | <ul style="list-style-type: none"> • Perform the Auto adjustment. • Moving all objects which emit a magnetic field such as motor or transformer, away from the monitor. • Check if the specific voltage is applied. • Check if the signal timing of the computer system is within the specification of monitor. |

**If you are unable to correct the fault by using this chart, stop using your monitor and contact your distributor or dealer for further assistance.*

Appendix

This chapter contains additional product information, including troubleshooting guide and frequency table



Appendix A: Resolution Table

V-VGA, D-DVI, H-HDMI

| Resolution Support Table | | | | | | | | | | | | | | | | | | | | | | | | | | | | | | | | | |
|--------------------------|-----------|---|---|---------|---|---|---------------|---|---|----------|---|---|-----------------|---|---|-------------|---|---|-----------|---|---|-------------|---|---|-------------|---|---|-------------------------------------|---|---|-----------|---|---|
| Panel Size | 5.7"/6.5" | | | 7" | | | 8"/8.4"/12.1" | | | 7"/10.1" | | | 10.4"/12.1"/15" | | | 10.1"/12.1" | | | 17"/19" | | | 15.6"/18.5" | | | 20.1"/23.1" | | | 15.6"/18.5"/21.5"/23.8"/27"/32"/42" | | | 10.1"/24" | | |
| Panel Native Resolution | 640x480 | | | 800x480 | | | 800x600 | | | 1024x600 | | | 1024x768 | | | 1280x800 | | | 1280x1024 | | | 1366x768 | | | 1600x1200 | | | 1920x1080 | | | 1920x1200 | | |
| support resolution | V | D | H | V | D | H | V | D | H | V | D | H | V | D | H | V | D | H | V | D | H | V | D | H | V | D | H | V | D | H | V | D | H |
| 640*480 (4:3) | V | V | V | V | V | V | V | V | V | V | V | V | V | V | V | V | V | V | V | V | V | V | V | V | V | V | V | V | V | V | V | V | V |
| 480P | | | V | | | V | | | V | | | V | | | V | | | V | | | V | | | V | | | V | | | V | | | V |
| 800*480 | | | | V | V | V | | | | | | | | | | | | | | | | | | | | | | | | | | | |
| 800*600 (4:3) | | | | | | | V | V | V | V | V | V | V | V | V | V | V | V | V | V | V | V | V | V | V | V | V | V | V | V | V | V | V |
| 1024*768 (4:3) | | | | | | | | | | | | | V | V | V | V | V | V | V | V | V | V | V | V | V | V | V | V | V | V | V | V | V |
| 1280*720 (16:9) 720P | | | V | | | V | | | V | | | V | | | V | | | V | | | V | | | V | | | V | | | V | | | V |
| 1280*768 | | | | | | | | | | | | | | | | | | | V | V | V | | | | | | | | | | | | |
| 1280*800 (16:10) | | | | | | | | | | | | | | | | V | V | V | | | | | | | | | | V | V | V | V | V | V |
| 1280*1024 (5:4) | | | | | | | | | | | | | | | | | | | V | V | V | | | | V | V | V | V | V | V | V | V | V |
| 1366*768 | | | | | | | | | | | | | | | | | | | V | V | V | | | | | | | | | | | | |
| 1400*1050 (4:3) | | | | | | | | | | | | | | | | | | | | | | | | | V | V | V | | | | | | |
| 1440*900 (16:10) | | | | | | | | | | | | | | | | | | | | | | | | | | | | V | V | V | V | V | V |
| 1600*1200 (4:3) | | | | | | | | | | | | | | | | | | | | | | | | | | | | V | V | V | | | |
| 1680*1050 (16:10) | | | | | | | | | | | | | | | | | | | | | | | | | | | | V | V | V | V | V | V |
| 1920*1080 (16:9) 1080P | | | V | | | V | | | V | | | V | | | V | | | V | | | V | | | V | | | V | V | V | V | V | V | V |
| 1920*1200 (16:10) | | | | | | | | | | | | | | | | | | | | | | | | | | | | | | | V | V | V |

Appendix B: Frequency Table

| Frequency Table | | | | |
|-----------------------|--------------------|---|---|---|
| | Vertical Frequency | V | D | H |
| 640*480(4:3) | 60 | V | V | V |
| | 72 | V | | |
| | 75 | V | | |
| 480P | 60 | V | V | V |
| 800*480 | 60 | V | V | V |
| 800*600(4:3) | 60 | V | V | V |
| | 72 | V | | |
| | 75 | V | | |
| 1024*768(4:3) | 60 | V | V | V |
| | 75 | V | | |
| 1280*720(16:9) 720P | 60 | V | V | V |
| 1280*768 | 60 | V | V | V |
| 1280*800(16:10) | 60 | V | V | V |
| 1280*1024(5:4) | 60 | V | V | V |
| | 75 | V | | |
| 1366*768 | 60 | V | V | V |
| 1400*1050(4:3) | 60 | V | V | V |
| 1440*900(16:10) | 60 | V | V | V |
| 1600*1200(4:3) | 60 | V | V | V |
| 1680*1050(16:10) | 60 | V | V | V |
| 1920*1080(16:9) 1080P | 60 | V | V | V |
| 1920*1200(16:10) | 60 | V | V | V |

Winmate Inc.
9F, No.111-6, Shing-De Rd., San-Chung District,
New Taipei City 24158, Taiwan, R.O.C
www.winmate.com