

# W10IB3S-PCH2-POE

## 10.1" Intel® Celeron® N2930 S Series HMI Panel PC



### KEY FEATURES

- 10.1" 1280x 800 Resolution with Projected Capacitive Multi-Touch (PCAP)
- Low-Power System with Intel® Celeron® N2930 Processor
- Fanless Cooling System and Ultra-low Power Consumption
- Dual Gigabit Ethernet
- Support PoE function
- Front IP65 Water and Dust Proof
- Optional HF RFID Reader
- Optional 2MP Front Camera
- Room Booking Schedule, Access Control, Room Information Display

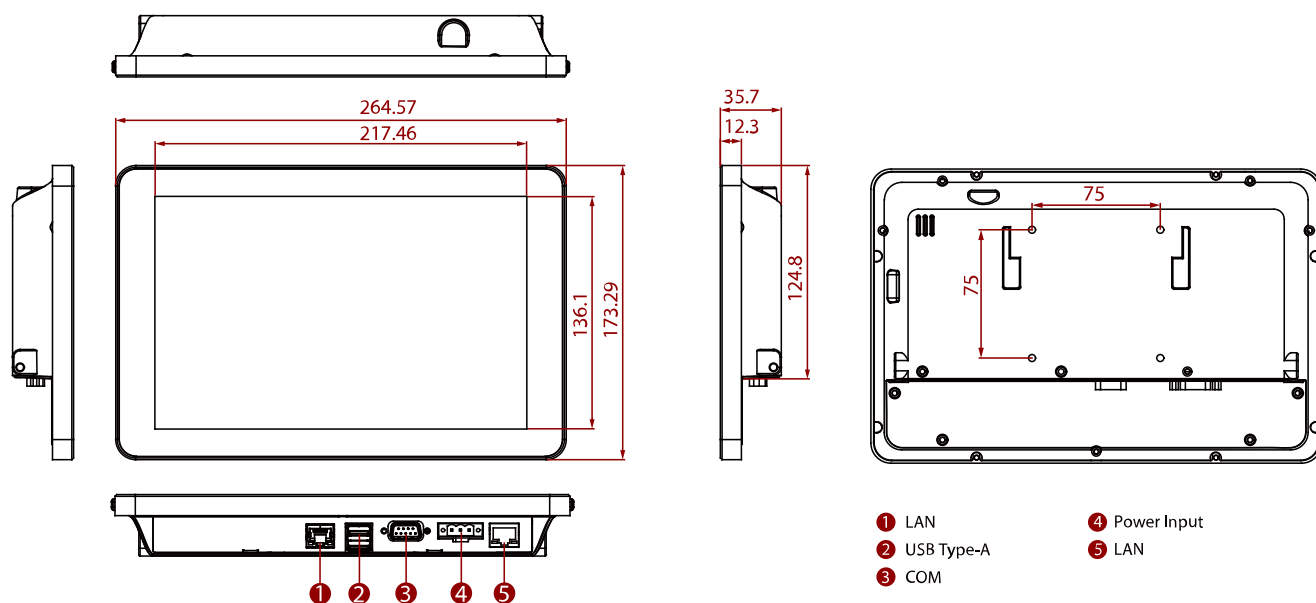


### SPECIFICATIONS

Display			
Resolution	1280x800	Size	10.1 inches
Contrast Ratio	800:1	Panel Brightness	350.0 nits
View Angles	85,85,85,85	Active Area	216.96x135.6 mm
Touch / Glass	Projected Capacitive Multi Touch Screen		
System Specification			
Processor	Intel Celeron N2930 1.83GHz (up to 2.16GHz)	Memory	1 x SO-DIMM, DDR3L 1600 MHz, 4GB 8GB (Optional)
Storage	1 x M.2 2242 B-key SSD 128GB. M.2 2242 B-key SSD up to 512GB. (Optional)	Ethernet controller	2 x Intel® Ethernet Controller
Operating System	Windows 10 IoT Enterprise (64 bit) (Optional) Linux Ubuntu 20.04 (Optional)	WLAN	Support (Optional)
BT	Support (Optional)	RFID	HF RFID Reader 13.56 MHz (Optional)
Mechanical			
Dimension	264.57 x 173.29 x 35.7 mm	Weight	1.2 kg
Mounting	Wall mount VESA Mount	Enclosure	Plastic Front Bezel with Metal Back Cover
Cooling System	Fanless design	Cut out	250x159mm
Environment			
Operating Humidity	10% to 90% RH, Non-Condensing	Operating Temperature	0°C to 50°C
Storage Temperature	-10°C to 60°C	IP rating	Front IP65
Certification			
Certification	CE, FCC		
IO Ports			
Power Input	1 x 12V DC, 3-Pin Terminal Block	USB Port	1 x USB3.2 Gen1x1 (Type-A) 1 x USB2.0 (Type-A)
Serial Port	1 x RS232/422/485 (Default RS232)	Audio	1 x Speaker

<b>Expansion Port</b>	2 x M.2 slot(1 for WiFi, 1 for SSD)	<b>LAN</b>	2 x Giga LAN RJ45 Connector, One with PoE(PD, 802.3at)(Optional)
<b>Accessory</b>			
<b>Accessory</b>	100~240V AC to DC Adapter Power Cord Terminal Block to 2.5Ø Female Adapter Cable Open Wire Cable with terminal block connector VESA screws	<b>Optional Accessory</b>	VESA Wall Mount (Optional) VESA Desk Stand (Optional) Glass Wall Mount Kit (Optional) Front Side Wall Mount (Optional) VESA bracket mounting kit (Optional)
<b>Power</b>			
<b>Power Rating</b>	12V DC 10~60V (Optional)	<b>Adapter</b>	12V 50W
<b>POE</b>	PoE (PD): follows IEEE 802.3at (25 W)		

## DIMENSIONS UNIT:MM



## NOTE

1. This is a simplified drawing and some components are not marked in detail.
2. The product shown in this datasheet is a standard model. For diagrams that contain customized or optional I/O, please contact the Winmate Sales Team for more information.
3. All specifications are subject to change without prior notice.