

W07IB3S-EHT1

7" Intel® Celeron® N2930 E Series HMI Panel PC



KEY FEATURES

- 7" 1024 x 600 PCAP touchscreen
- Intel® Celeron® N2930 Bay Trail
- Fanless cooling system
- Front IP65
- Dual Gigabit Ethernet



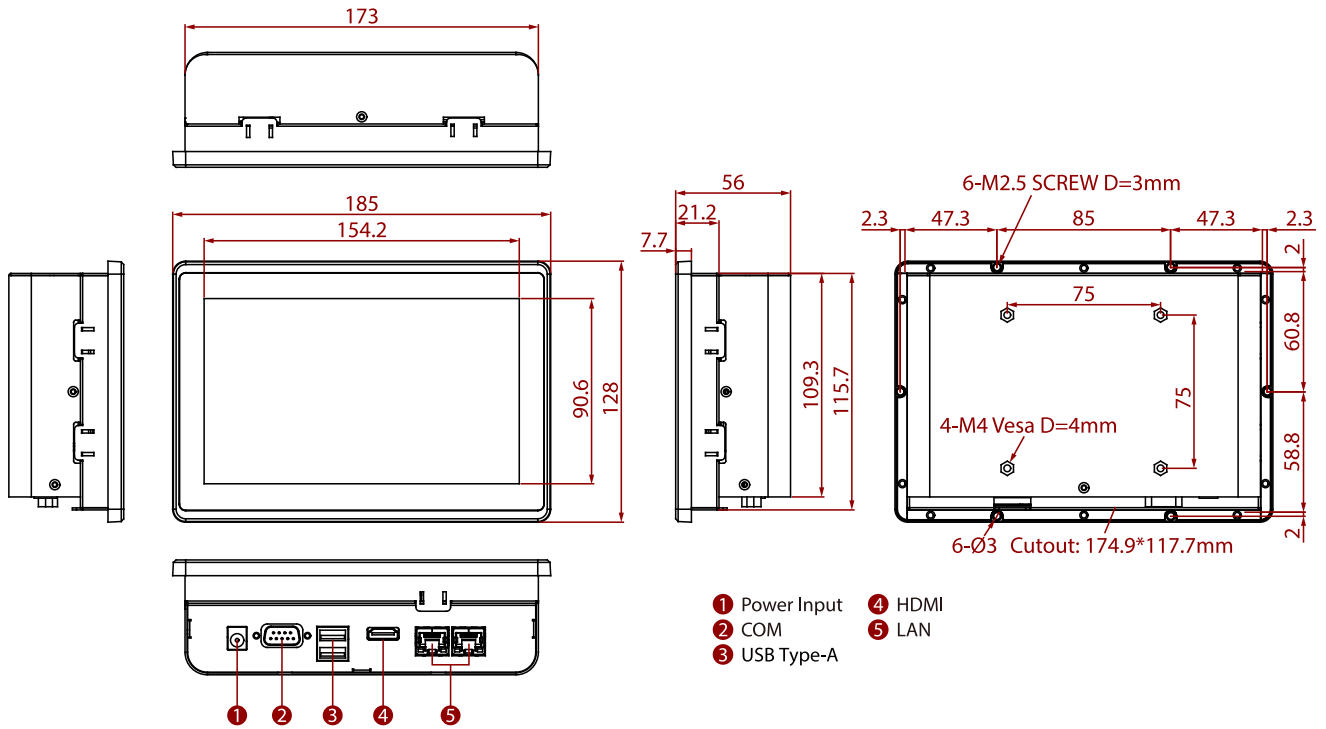
SPECIFICATIONS

Display			
Resolution	1024x600	Size	7.0 inches
Contrast Ratio	1000:1	Panel Brightness	320.0 nits
View Angles	75,75,75,70	Active Area	153.6x90 mm
Touch / Glass	Projected Capacitive Multi Touch Screen		
System Specification			
Processor	Intel Celeron N2930 1.83GHz (up to 2.16GHz)	Memory	1 x SO-DIMM, DDR3L 1600 MHz, 4GB 8GB (Optional)
Storage	1 x mSATA SSD 128GB. mSATA SSD up to 512GB. (Optional)	Ethernet controller	2 x Intel® Ethernet Controller
Operating System	Windows 10 IoT Enterprise (64 bit) (Optional) Linux Ubuntu 20.04 (Optional)		
Mechanical			
Dimension	185 x 128 x 56 mm	Weight	0.9 kg
Mounting	Panel mount VESA Mount	Enclosure	Metal Housing
Cooling System	Fanless design	Cut out	174.9 x 117.7 mm
Environment			
Operating Humidity	10% to 90% RH, Non-Condensing	Operating Temperature	0°C to 50°C
Storage Temperature	-10°C to 60°C	IP rating	Front IP65
Certification			
Certification	CE, FCC		
IO Ports			
Power Input	1 x 12V DC, 2.5φ DC jack	USB Port	1 x USB3.2 Gen1x1 (Type-A) 1 x USB2.0 (Type-A)
Serial Port	1 x RS232/422/485 (Default RS232)	Video	1 x HDMI 1.4 (Optional)
Expansion Port	1 x mPCIe slot(for half size Wifi module)	LAN	2 x Giga LAN RJ45 Connector
mini PCIe	1 x Mini PCIe(For WLAN)		
Accessory			
Accessory	100~240V AC to DC Adapter		

Power Cord
 VESA screws
 Mounting clips

Power			
Power Rating	12V DC	Adapter	12V 50W

DIMENSIONS UNIT:MM



NOTE

1. This is a simplified drawing and some components are not marked in detail.
2. The product shown in this datasheet is a standard model. For diagrams that contain customized or optional I/O, please contact the Winmate Sales Team for more information.
3. All specifications are subject to change without prior notice.