

# R19L100-67FTP(HB)

## 19" G-WIN IP67 Series Display



### KEY FEATURES

- Totally sealed Full IP67 aluminum compact housing design
- 19-inch 1280 x 1024 panel with Projected Capacitive touch screen
- -10 to 55°C wide operating temperature
- Fanless, streamlined enclosure for highly efficient heat dissipation
- Rugged Front Anti-Impact Design
- Front control membrane keys lockable by software
- Full IP67 male connectors with external female cables



### SPECIFICATIONS

| Display                      |   |
|------------------------------|---|
| <b>Resolution</b>            | 1280x1024   |
| <b>Contrast Ratio</b>        | 1000:1  |
| <b>Display Color</b>         | 16.7M Colors  |
| <b>Active Area</b>           | 376.32x301.06 mm  |
| <b>Optional function</b>     | High brightness Panel for sunlight readable (Optional)                                      |
| <b>Size</b>                  | 19.0 inches   |
| <b>Panel Brightness</b>      | 400 nits<br>1000 nits(Optional)   |
| <b>View Angles</b>           | 85,85,80,80   |
| <b>Touch / Glass</b>         | Projected Capacitive Multi Touch Screen Bonding With Panel                                  |
| Mechanical                   |   |
| <b>Dimension</b>             | 474 x 410 x 111 mm  |
| <b>Mounting</b>              | Panel mount<br>VESA Mount   |
| <b>Cooling System</b>        | Fanless design  |
| <b>Weight</b>                | 9.8 kg  |
| <b>Enclosure</b>             | Aluminum Housing  |
| <b>Cut out</b>               | 462 x 386mm   |
| Environment                  |   |
| <b>Operating Humidity</b>    | 10% to 90% RH, Non-Condensing   |
| <b>Storage Temperature</b>   | -30°C to 70°C   |
| <b>Vibration</b>             | MIL-STD-810G Method 514.6 Procedure I   |
| <b>Operating Temperature</b> | -10°C to 55°C<br>-40°C to 70°C (with intelligent heater)                                    |
| <b>Shock</b>                 | MIL-STD-810G Method 516.6 Procedure I (Optional)  |
| <b>IP rating</b>             | IP67  |
| Certification                |   |
| <b>Certification</b>         | CE, FCC   |
| IO Ports                     |   |
| <b>Power Input</b>           | 1 x M12 waterproof connector for 9~36V DC   |
| <b>Serial Port</b>           | 1 x M12 type connector for Touchscreen via RS232 signal (Optional)                          |
| <b>Indicator</b>             | 1 x LED Indicator for power<br>1 x LED Indicator for status                                 |
| <b>USB Port</b>              | 1x M12 type connector for Touchscreen via USB signal  |
| <b>Video</b>                 | 1x M12 type connector for VGA input<br>1x M21 type connector for HDMI input (Optional)      |
| Control                      |   |
| <b>Button</b>                | 1 x Power Button<br>1 x Adjust up button<br>1 x Adjust down button<br>1 x ESC (Auto) button |

1 x OK (Menu) button

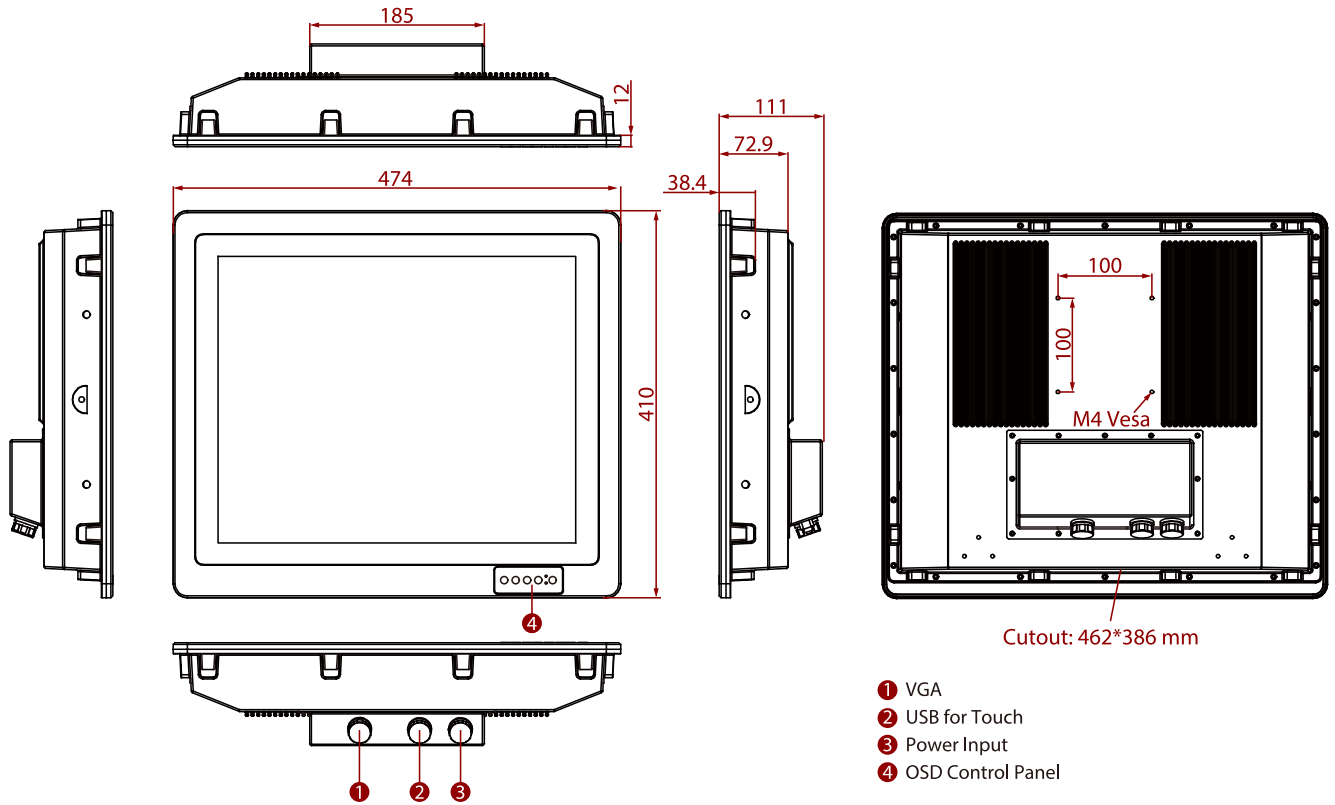
## Accessory

**Accessory** External open wire Power cable with waterproof connector  
External USB cable with waterproof connector  
External VGA cable with waterproof connector  
Waterproof caps  
Mounting clips  
VESA screws

**Optional Accessory** 100~240V AC to DC Adapter with power cord (Optional)  
External COM cable with waterproof connector (Optional)  
External HDMI cable with waterproof connector (Optional)

## System Specification

## DIMENSIONS UNIT:MM



## NOTE

1. This is a simplified drawing and some components are not marked in detail.
2. The product shown in this datasheet is a standard model. For diagrams that contain customized or optional I/O, please contact the Winmate Sales Team for more information.
3. All specifications are subject to change without prior notice.