

# R15L600-MLA3FP

## 15" PCAP Rack Mount Defence Display



### KEY FEATURES

- 15", 1024 x 768 resolution
- Compliant MIL-STD 810G/ MIL-STD 461E
- Rack mount mechanical design, supports VESA mount
- PCAP multi-touch screen
- Defence-grade power connector (MIL-DTL-38999/1)
- AC 100~240V, Universal, ±10%; DC 9~36V, ±10% (Optional)
- Convenient on-screen display controls

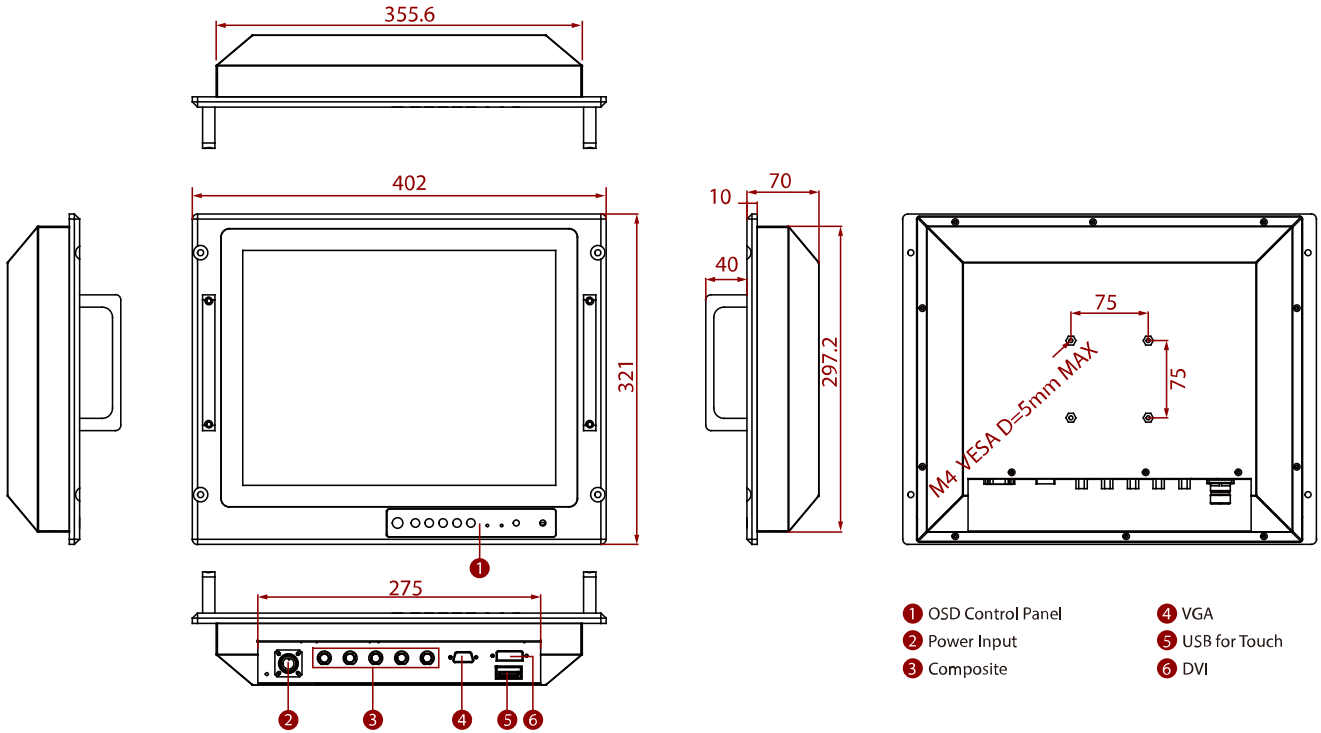


### SPECIFICATIONS

| Display                      |  |
|------------------------------|--|
| <b>Resolution</b>            | 1024x768   |
| <b>Contrast Ratio</b>        | 2500:1   |
| <b>Display Color</b>         | 16.7M Colors   |
| <b>Active Area</b>           | 304.1x228.1 mm   |
| <b>Size</b>                  | 15 inches  |
| <b>Panel Brightness</b>      | 500 nits   |
| <b>View Angles</b>           | 88,88,88,88  |
| <b>Touch / Glass</b>         | Projected Capacitive Multi Touch Screen<br>PCAP with With ITO Flim (Optional)  |
| Environment                  |  |
| <b>Operating Humidity</b>    | 10% to 95% RH  |
| <b>Storage Temperature</b>   | -30°C~70°C   |
| <b>Operating Temperature</b> | -20°C~60°C   |
| Compliance                   |  |
| <b>MIL-STD 461E/F</b>        | RE101 / RE102<br>CE101 / CE102<br>with EMI Glass / Touch(Optional)<br>RS101 / RS 103<br>CS101 / CS 106 / CS 109 / CS 114 / CS 115 / CS 116 |
| <b>MIL-STD 810F/G</b>        | Vibration Method 514.5<br>Humidity Method 507.4<br>Transit Drop Method516.5  |
| Certification                |  |
| <b>Certification</b>         | CE, FCC  |
| IO Ports                     |  |
| <b>USB Port</b>              | 1 x USB for Touch  |
| <b>Video</b>                 | 1 x VGA<br>5 x BNC (R,G,B,H,V)<br>1 x DVI-D  |
| Mechanical                   |  |
| <b>Dimension</b>             | 402 x 321 x 70 mm  |
| <b>Enclosure</b>             | Metal Housing with Aluminum Bezel  |
| <b>Mounting</b>              | Rack Mount/ VESA Mount   |
| <b>Cooling System</b>        | Fanless Design   |
| Accessory                    |  |
| <b>Accessory</b>             | 1 x User Manual(Hardcopy)<br>1 x Power Cord MIL-DTL-38999/1<br>1 x VGA Cable<br>1 x DVI Cable<br>1 x VGA to 5 BNC Shielding Cable          |

|                     |   |
|---------------------|---|
| <b>Power</b>        |   |
| <b>Power Rating</b> | AC 100~240V, Universal, ±10%<br>DC 9~36V, ±10% (Optional)                                   |
| <b>Control</b>      |   |
| <b>Button</b>       | 7 key:<br>Power<br>Decrease<br>Increase<br>Exit/ Auto<br>Menu<br>Day/ Night<br>Lock/ Unlock |

**DIMENSIONS** UNIT:MM



**NOTE**

1. The product shown in this datasheet is a standard model. For diagrams that contain customized or optional I/O, please contact the Winmate Sales Team for more information.