

R15IT3S-VMC3(HB)

15" Intel® Core™ i5-1135G7 G-WIN Vehicle Mount Panel PC



KEY FEATURES

- 15" Panel, 1024*768 resolution, 300 nits (Optional for 1000 nits)
- Intel® Core™ i5-1135G7 Tiger Lake UP3.
- -10 ~ +55°C Wide Range Operating Temperature
- Aluminum housing with anti-corrosion treatments. Fanless Design.
- 9 ~ 36V DC Isolation Wide Range Power Input. Optional Ignition on/off control function.
- Resistive Touch / Anti-Reflective Protection Glass (Optional)
- Front IP65 (Except I/O parts)
- Anti-Shock & Vibration compliant with MIL-STD-810F/G
- Optional GPS, WWAN/WLAN(Either one). GPIO/Canbus(Either one)

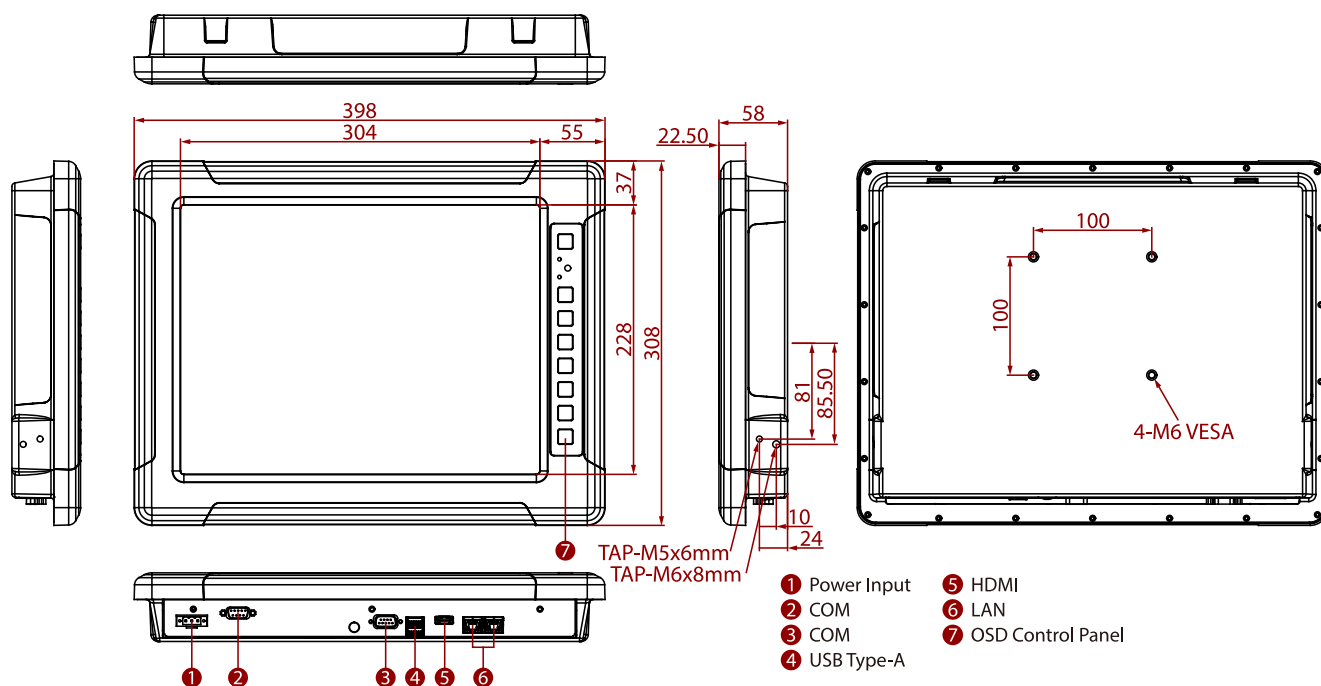


SPECIFICATIONS

System Specification			
WLAN	Support (Optional)	BT	Support (Optional)
WWAN	WWAN (Optional)	Processor	Intel Core i5-1135G7 2.4GHz (up to 4.2GHz) Intel Core i5-1145G7 2.6GHz (up to 4.4GHz) (Optional)
Memory	1 x SO-DIMM, DDR4 3200 MHz, 4GB 8GB (Optional) 16GB (Optional) 32GB (Optional)	Storage	1 x M.2 M-Key 2242 SATA SSD or 1 x M.2 M-Key 2280 NVMe SSD 128GB 256GB (Optional) 512GB (Optional) 1TB(for NVMe) (Optional) 2TB(for NVMe) (Optional) 4TB(for NVMe) (Optional)
Ethernet controller	2 x Intel® Ethernet Controller	Security	TPM 2.0
Operating System	Windows 11 IoT Enterprise SAC (64 bit) (Optional) Windows 10 IoT Enterprise (64 bit) (Optional) Linux Ubuntu 22.04 (Optional)		
Display			
Touch / Glass	Resistive Touch Screen (Optional) Protection Glass Without Touch Function (Optional)	Optional function	High brightness Panel for sunlight readable (Optional)
Resolution	1024x768	Size	15 inches
Contrast Ratio	2000:1	Panel Brightness	300 nits 1000 nits(Optional)
View Angles	88,88,88,88	Active Area	304.1x228.1 mm
Mechanical			
Dimension	398 x 308 x 58 mm	Mounting	VESA Mount Yoke Mount
Enclosure	Aluminum Housing	Cooling System	Fanless design
Environment			
Operating Humidity	10% to 90% RH, Non-Condensing	Operating Temperature	-10°C to 55°C
Storage Temperature	-30°C to 70°C	Shock	MIL-STD-810G Method 516.6 Procedure I (Optional)

Vibration	MIL-STD-810G Method 514.6 Procedure I	IP rating	Front IP65
Certification			
Certification	CE, FCC		
IO Ports			
Power Input	1 x 9~36V DC, 3-Pin Terminal Block	USB Port	2 x USB3.2 Gen2x1 (Type-A)
Serial Port	1 x RS232/422/485 (Default RS232) 1 x RS232	Video	1 x HDMI 2.0 (Optional)
Expansion Port	2 x M.2 slot(1 for WiFi, 1 for SSD)	LAN	2 x Giga LAN RJ45 Connector
Indicator	1 x LED Indicator for power 1 x LED Indicator for storage	DIDO	Terminal block with digital 4 in / 4 out (Either of DIDO/CANBUS)
CANBUS	Terminal block with 2 channel CANBUS (Either of DIDO/CANBUS)		
Control			
Button	1 x Power Button 1 x Reset Button 1 x Lock / Unlock front key function button 1 x Auto Dimming / Manually button 1 x Day / Night Mode button 1 x Brightness Up button 1 x Brightness Down button 1 x LED indicator brightness adjustment button 1 x Light sensor		
Accessory			
Accessory	Open Wire Cable with terminal block connector VESA screws	Optional Accessory	Yoke mount stand (Optional) 100~240V AC to DC Adapter with power cord (Optional)

DIMENSIONS UNIT:MM



NOTE

1. This is a simplified drawing and some components are not marked in detail.
2. Windows 10 operating system requires installing a new version of BIOS and OS image.
3. Windows 7 does not support the TPM 2.0 function.
4. Weight of the device varies by configuration.
5. Please contact our sales representative if you need further product information.
6. All specifications are subject to change without prior notice.
7. The product shown in this datasheet is a standard model. For diagrams that contain customized or optional I/O, please contact the Winmate Sales Team for more information.

