

R10IE3S-VMT2(HB)

10.4" Intel® Celeron® N6211 G-WIN Vehicle Mount Panel PC



KEY FEATURES

- Intel® Celeron® N6211 Processor 1.5M Cache, up to 2.60 GHz, Fanless Design
- High Quality 10.4" Panel, 1024 x 768 resolution
- Front IP65 Dust / Water Proof Enclosures (Except I/O parts)
- Aluminum Housing with Anti-Corrosion Treatments
- Anti-Shock and Vibration Standard according to MIL-STD-810 & IEC60068-2-27
- WLAN with Antenna (Optional)
- 10 ~ 60V DC Isolation Wide Range Power Input. Optional Ignition on/off control function.
- Compliance with EN50155



SPECIFICATIONS

System Specification			
WLAN	Support (Optional)	BT	Support (Optional)
Processor	Intel® Celeron® N6211 (1.5M Cache, up to 3.0GHz) Intel® Celeron® N6210 (1.5M Cache, up to 2.6GHz) (Optional)	Memory	1 x SO-DIMM, DDR4 3200 MHz, 4GB 8GB (Optional) 16GB (Optional)
Storage	1 x M.2 2242 B-key SSD 128GB M.2 2242 B-key SSD up to 512GB (Optional)	Ethernet controller	2 x Intel® Ethernet Controller
Security	TPM 2.0	Operating System	Windows 11 IoT Enterprise SAC (64 bit) (Optional) Windows 10 IoT Enterprise (64 bit) (Optional) Linux Ubuntu 22.04 (Optional)
Display			
Resolution	1024x768	Size	10.4 inches
Contrast Ratio	1000:1	Panel Brightness	350 nits
View Angles	88,88,88,88	Active Area	210.4x157.8 mm
Touch / Glass	Resistive Touch Screen (Optional) Protection Glass Without Touch Function (Optional)	Optional function	High brightness Panel for sunlight readable (Optional)
Mechanical			
Dimension	315 x 250 x 67 mm	Mounting	VESA Mount Yoke Mount
Enclosure	Aluminum Housing	Cooling System	Fanless design
Environment			
Operating Humidity	10% to 90% RH, Non-Condensing	Operating Temperature	-10°C to 55°C
Storage Temperature	-30°C to 70°C	Shock	MIL-STD-810G Method 516.6 Procedure I (Optional)
Vibration	MIL-STD-810G Method 514.6 Procedure I	IP rating	Front IP65
Certification			
Certification	CE, FCC		
IO Ports			

Power Input	1 x 10~60V DC, 3-Pin Terminal Block	USB Port	2 x USB3.2 Gen2x1 (Type-A)
Serial Port	1 x RS232/422/485 (Default RS232) 1 x RS232	Video	1 x HDMI 2.0 (Optional)
Expansion Port	2 x M.2 slot(1 for WiFi, 1 for SSD)	LAN	2 x Giga LAN RJ45 Connector
Indicator	1 x LED Indicator for power 1 x LED Indicator for storage		

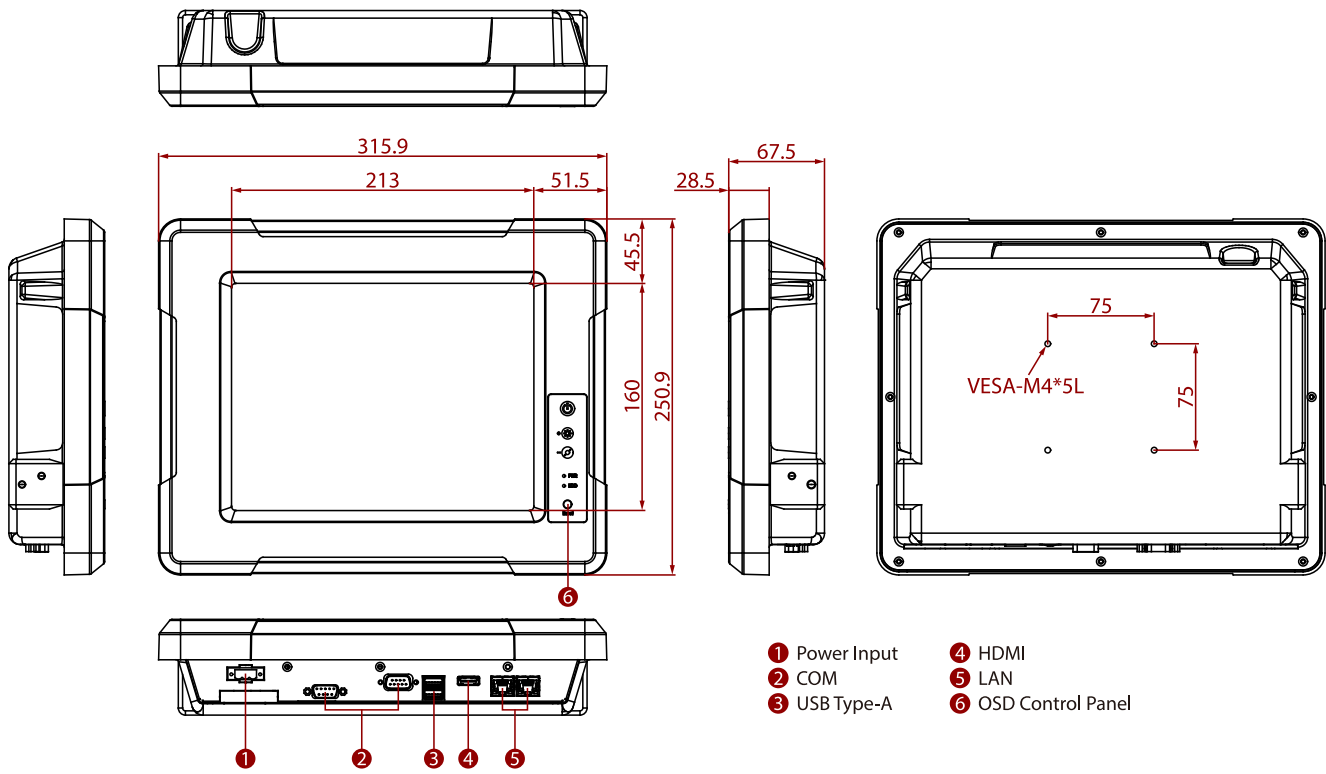
Control

Button	1 x Power Button 1 x Reset Button 1 x Brightness Up button 1 x Brightness Down button
---------------	--

Accessory

Accessory	Open Wire Cable with terminal block connector VESA screws	Optional Accessory	Yoke mount stand (Optional) 100~240V AC to DC Adapter with power cord (Optional)
------------------	--	---------------------------	---

DIMENSIONS UNIT:MM



NOTE

1. This is a simplified drawing and some components are not marked in detail.
2. Windows 10 operating system requires installing a new version of BIOS and OS image.
3. Windows 7 does not support the TPM 2.0 function.
4. Weight of the device varies by configuration.
5. Please contact our sales representative if you need further product information.
6. All specifications are subject to change without prior notice.
7. The product shown in this datasheet is a standard model. For diagrams that contain customized or optional I/O, please contact the Winmate Sales Team for more information.