

I330 Rugged BOX PC

I330EAC with Three Isolation
Serial Ports, Digital I/O, GigaLAN
Robust Alu.Fim Box PC.

Embedded Automation Controller

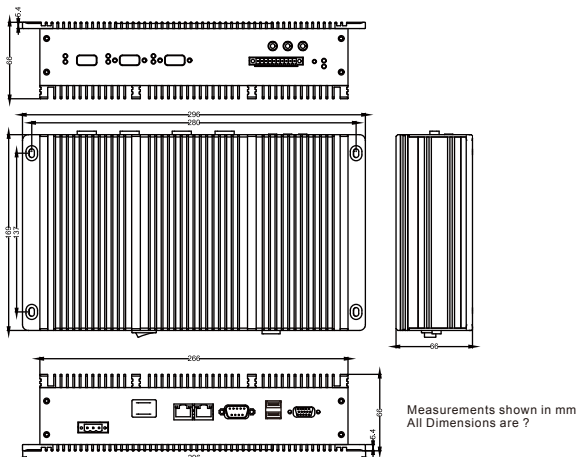
I330EAC-ID3



Features:

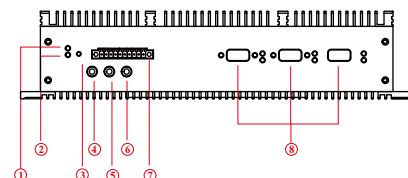
- Design for Industrial Automation, M2M application
- Onboard Dual Core Atom D2550 1.86GHz
- 1 x DDR3 SODIMM, max. 4GB
- 3 x RS422 / 485 communication with isolation protection
- Support 8 x GPIO with Phoenix type Terminal Block
- 2x Giga LAN, 2x USB, 1x VGA, Line in, Line out, Micro In
- Fanless, High efficiency thermal design w/ sealed construction
- 1500V DC power isolation resistance

I330 EAC-ID3

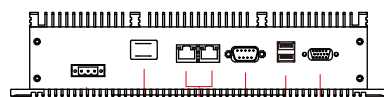


Measurements shown in mm
All Dimensions are ?

* Note: this is a simplified drawing and some components are not marked in detail.
Please contact our sales representative if you need further product information.



- | | | |
|------------|------------|-----------------------|
| 1. PWR LED | 4.LINE IN | 7.8 Channel GPIO |
| 2. HDD LED | 5.LINE OUT | 8.RS422/485/ISOLATION |
| 3 .POWER | 6.MIC IN | |



- | | |
|---------------|---------|
| 1. PWR INPUT | 4.RS232 |
| 2. PWR SWITCH | 5.USB |
| 3. LAN | 6.VGA |

UNIT:mm

System Specification

Processor	: Intel®ATOM D2550 1.86GHz
BIOS	: AMI 16Mbit Flash
System Chipset	: Intel®NM10 Chipset
System Memory	: DDR3 SODIMM Max 4GB
Ethernet Controller	: Dual Broadcom BCM57780
USB	: 2 x USB 2.0 (external) 4 x USB 2.0 by pin-header (internal)
Storage	: 64GB mSATA SSD, Optional 128GB, 256GB and 512GB

Mechanical and Power

Dimensions (L x W x H)	: 296mm x 169mm x 66mm
Construction	: Aluminum housing
Power Input	: +24V DC In with 1.5KV DC Isolation Resistance(+9~36V DC Input Acceptable)
Power source range	: Typical 60 W power consumption
Mounting	: VESA / Wall-mount / Desktop

Certificate

DNVGL-CG-0339
IEC 60945 4th Edition
CE / FCC

I/O Connectors

Front Side I/O	: 1 x Reset Button : 1 x Micro in , Line out , Line in Jack : 8 Channel GPIO by Phoenix type Terminal Block 5V/12mA : 3 x Isolated RS422/485 auto-detect with
Back Side I/O	: LED Indicator : 1 x 3 pin Power Input w/ Phoenix type : Terminal Block : 1 x Power Switch On / Off : 2 x RJ-45 (Giga LAN) : 1 x VGA : 1 x RS232 : 2 x USB

Environment Considerations

Operating Temperature	: -15 to 55 deg.C
Operating Humidity	: 5% to 95% (non condensing)
Anti-Vibration	: 5Hz~500Hz / 1Grms/3 Axis
Anti Shock	: 15G, 11ms duration

Ordering Information (optional)

Storage	: 2.5" 64GB , 128GB SSD 32 to 128GB mSATA SSD
----------------	--

Note: All Specifications are subject to change without prior notice!