

# SHW5G

## 5MP Global shutter camera

### Basic description

This camera module is specially designed for humanoid robot applications. It uses a 5MP global shutter sensor and a 25\*25 small-sized wide-angle lens. It can be used in positions such as the head and torso of humanoid robots.

### key parameter

Sensor	RGGB
Output Pixels	2560H*1984V
Frame Rate	2560*1984@30fps 2400*1440@60fps
HDR Support	Rolling MAX 100dB
Shutter	Global Shutter
Output data	RAW@10bit
Camera Interface	GMSL2
Connector	Amphenol Fakra (Z Code )
Operating temp. range	-20~+70°C
Dimensions	W: 25mm, L:25mm, H:29.49mm
Weight	<50g

### Feature

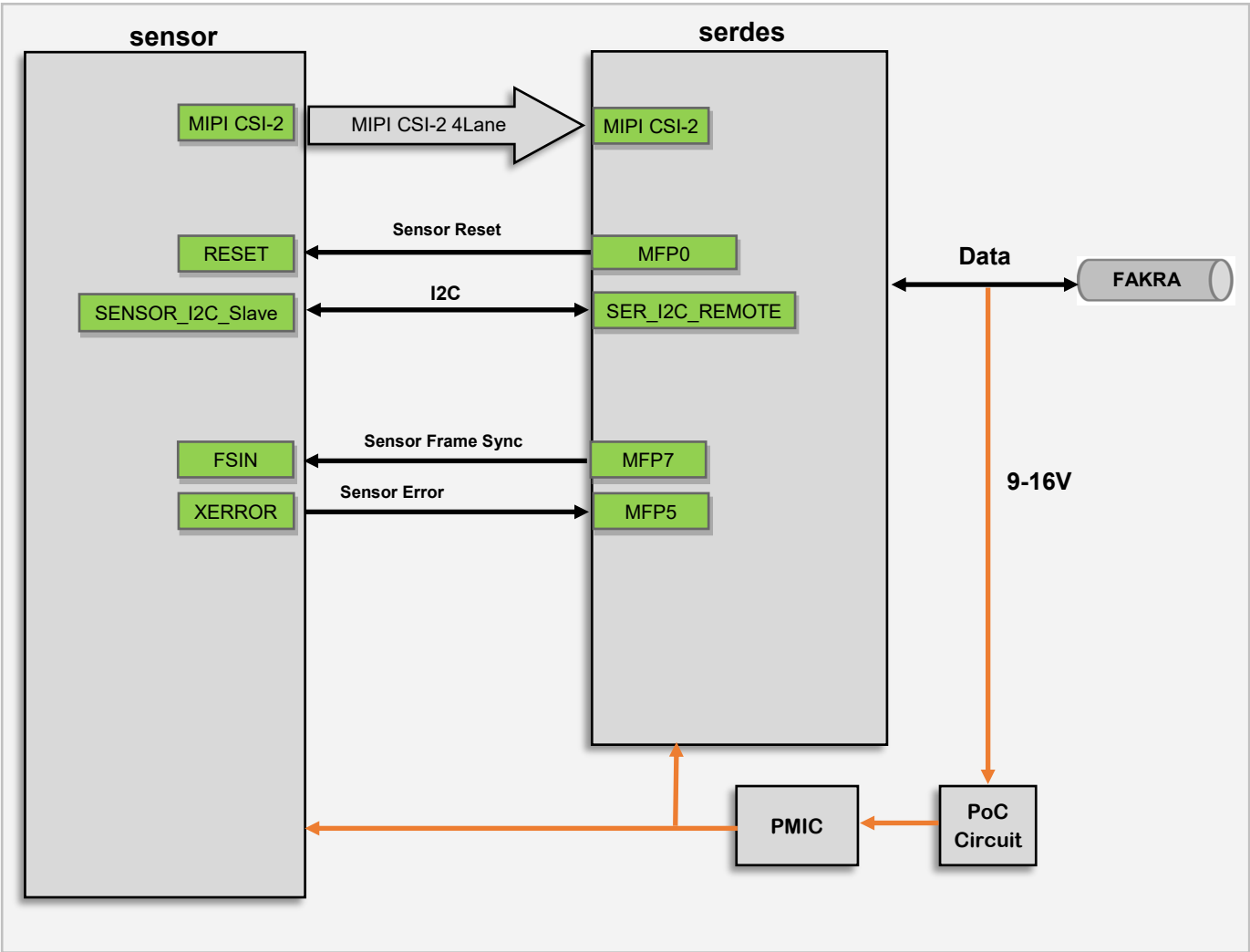
- Global Shutter
- Low latency
- Support external triggering
- Multi-camera synchronization

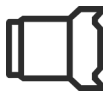
### Applications

- Humanoid robot
- Data collection



System block diagram



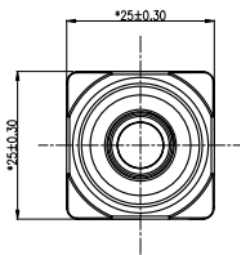


## Lens spec

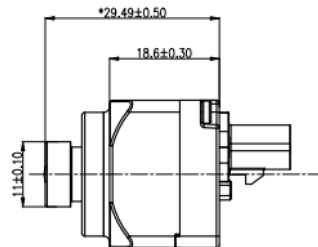
HFOV	VFOV	F.NO	EFL	Focus distance	DOF
130°	102°	2	2.18mm	0.8m	0.3m-INF



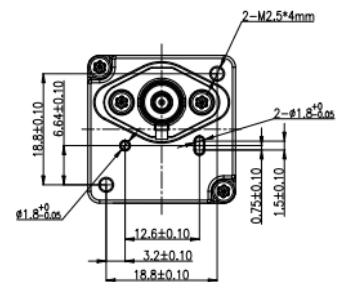
## structure size



Front View



Side View



Rear View



## Revision History

Version	Description	Date
Rev1	First release	2025.09

