



# WP1901T-R1

Industrial Panel PC



## 19" IP69K Stainless Steel Panel PC

- ◆ 支持 Intel® Celeron J1900 /J6412
- ◆ 支持 Intel® Core™ i3-8145U/i5-7200u

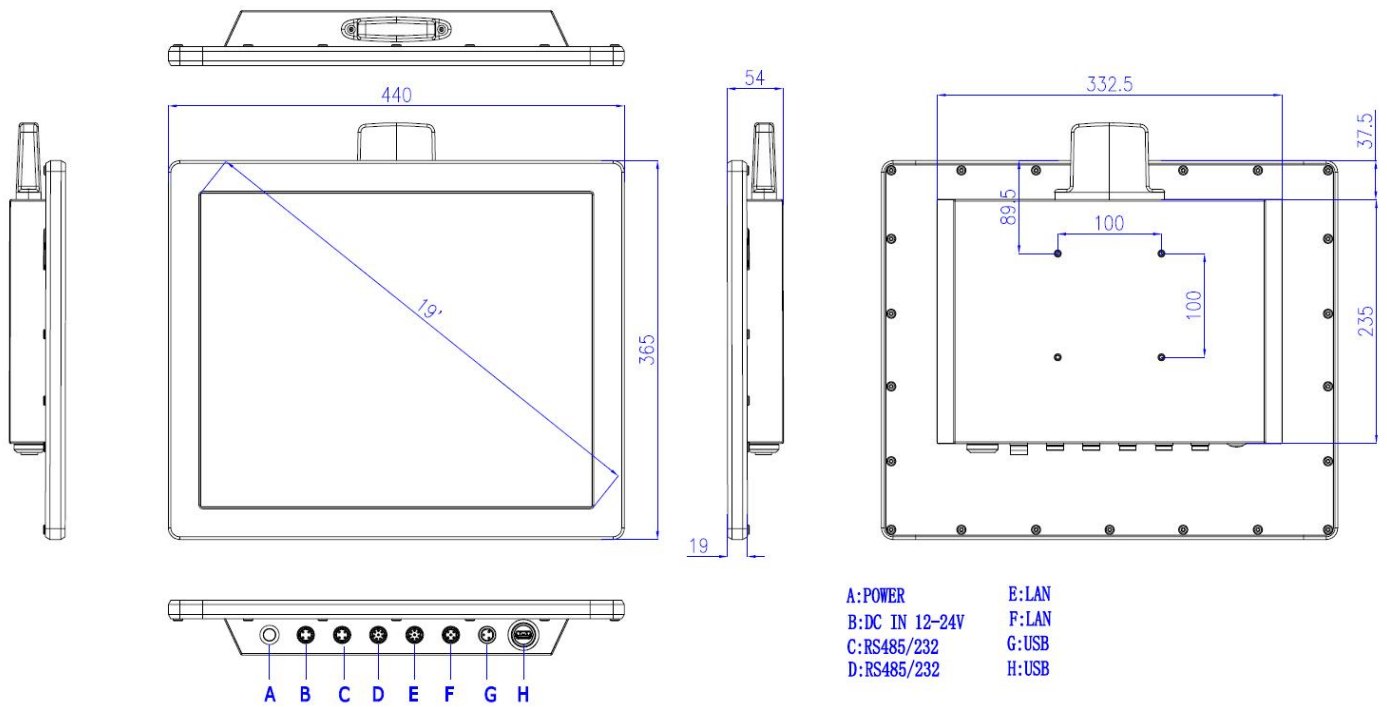




Specification:

|                       |                                   |  |                 |                                       |                 |
|-----------------------|-----------------------------------|--|-----------------|---------------------------------------|-----------------|
| System                | CPU                               | J1900  | 7200U           | J6412                                 | 8145U           |
|                       | BIOS                              | Quad Core2.0GHz  | Dual Core2.5GHz | Quad Core2.0GHz                       | Dual Core2.1GHz |
|                       | L2 Cache                          | 2MB  | 3MB             | 1.5MB                                 | 4MB             |
|                       | Chipset                           | Integrated PCH-LP  |                 |                                       |                 |
|                       | Memory                            | DDR3L- 1333/1600/1866 MHz up to 8GB  |                 | DDR4-2133/ 2400MHz support up to 16GB |                 |
|                       | Storage                           | 1 x mSATA  |                 |                                       |                 |
| I/O                   | LAN                               | 2 x Intel 1000Mbps   |                 |                                       |                 |
|                       | Audio                             | /  |                 |                                       |                 |
|                       | USB                               | 2 x USB2.0   |                 |                                       |                 |
|                       | COM                               | 2 x RS232 (option RS485 before ordering)   |                 |                                       |                 |
|                       | Mini PCIe                         | Option either Wifi or 4G/3G module (Default: wifi)                               |                 |                                       |                 |
| Basic                 | Dimension (W x H x D)             | 440mm x 365mm x 54mm   |                 |                                       |                 |
|                       | Mounting                          | Desktop, VESA  |                 |                                       |                 |
|                       | Net weight                        | 7.9kg  |                 |                                       |                 |
| Operation system      | OS                                | Windows7, Windows8, Windows10, Linux   |                 |                                       |                 |
| Power                 | Power input                       | 12-24VDC ±10% , Support reverse connection protection, over current protection   |                 |                                       |                 |
|                       | Max. power consumption            | 42Watt   |                 |                                       |                 |
| LCD                   | Type                              | 19" SXGA TFT   |                 |                                       |                 |
|                       | Resolution                        | 1280 x 1024  |                 |                                       |                 |
|                       | Colors                            | 16.7MB   |                 |                                       |                 |
|                       | Active Area (W x H)               | 376mm x 301mm  |                 |                                       |                 |
|                       | Backlight                         | WLED   |                 |                                       |                 |
|                       | MTBF (hours)                      | 30000hrs   |                 |                                       |                 |
|                       | Pixel Pitch(H x V)                | 0.294 x 0.294  |                 |                                       |                 |
|                       | Luminance                         | 250cd/m2   |                 |                                       |                 |
|                       | Contrast Ratio                    | 1000 : 1   |                 |                                       |                 |
| View angle            | (L) 85 / (R) 85 / (T) 80 / (B) 80 |  |                 |                                       |                 |
| Touch Screen          | Type                              | Resistive touch screen   |                 |                                       |                 |
|                       | Transmittance                     | > 75%  |                 |                                       |                 |
|                       | Controller interface              | USB  |                 |                                       |                 |
|                       | Driver Support                    | Windows XP, Windows 7, Winows8, Windows 10, Linux                                |                 |                                       |                 |
|                       | Response Time                     | < 5ms  |                 |                                       |                 |
|                       | Surface Hardness                  | Mohs' Number 3H  |                 |                                       |                 |
| Working Environmental | Work temperature                  | -0 ~ 50° C   |                 |                                       |                 |
|                       | Storage temperature               | -20 ~ 60° C  |                 |                                       |                 |
|                       | Relative humidity                 | 5~95% RH@40° C, non-condensing   |                 |                                       |                 |
|                       | Vibration                         | Operating Random Vibration Test 5~500Hz, 1.5Grms@with SSD, follow IEC 60068-2-64 |                 |                                       |                 |
|                       | Shock                             | Operating 10G peak acceleration (11ms duration), follow IEC 60068-2-27           |                 |                                       |                 |
|                       | EMC                               | CE/FCC Class B   |                 |                                       |                 |
|                       | Waterproof                        | IP69K  |                 |                                       |                 |

Dimension: Unit: mm



**Order information:**

| Model NO.          | Description  |
|--------------------|--|
| WP1901T-R1-J1900   | 19" LCD/ Resistive touch screen/ 1024*768/CPU J1900/no memory/no SSD/2LAN/2RS232(option RS485) / 2USB/WIFI/DC IN 12~24V    |
| WP1901T-R1-J6412   | 19" LCD/ Resistive touch screen/ 1024*768/CPU J6412/no memory/no SSD/2LAN/2RS232(option RS485) / 2USB/WIFI/DC IN 12~24V    |
| WP1901T-R1-WL8145U | 19" LCD/ Resistive touch screen/ 1024*768/CPU i3-8145U/no memory/no SSD/2LAN/2RS232(option RS485) / 2USB/WIFI/DC IN 12~24V |
| WP1901T-R1-SL7200U | 19" LCD/ Resistive touch screen/ 1024*768/CPU i5-7200U/no memory/no SSD/2LAN/2RS232(option RS485) / 2USB/WIFI/DC IN 12~24V |

**Option items:**

| Material NO. | Spec.  |
|--------------|--|
| 5040200005   | WIFI (7260 Series) with waterproof cover                         |
| 5040100001   | EC20 (4G/3G module)  |
| 2020200067   | M12 plug with 5pin (USB) Length=2Meters                          |
| 2020200068   | M12 plug with 4pin (COM) Length=2Meters                          |
| 2020200069   | M12 plug with 8pin (LAN cable) Length=2Meters                    |
| 2010300015   | IP67 waterproof Meanwell power adapter OWA-60E-12 (EU type plug) |