



PANEL5000-C122W-L

V1.0



Touch Screen Monitor

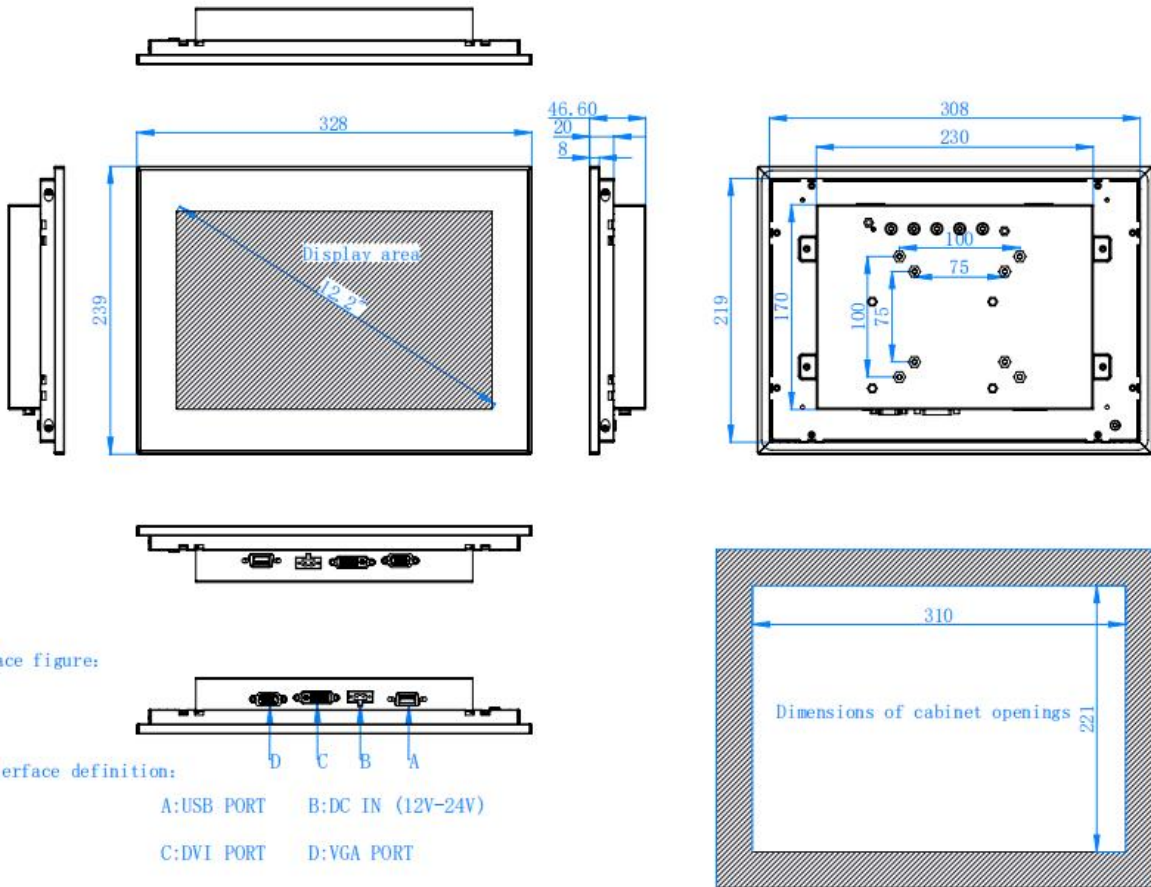
12.1" TFT Capacitive Touch Screen Monitor



Specifications:

General	Control button	set Contrast ratio and Luminance via OSD at the back panel
	Dimensions (W x H x D)	328mm*239mm*46.6
	Cut out Size (W x H)	310mm*221mm
	Box structure	Front panel: aluminum-magnesium alloy, anodized coating; Back cover: SGCC, Ground isolation protection
	Mounting	Support panel mounted, wall-mounted, Desktop (VESA 75x75 & 100x100)
	Power Supply	DC 12-24V
	Power Dissipation	8W
	Signal input	VGA & DVI-D
	NW	2.34kg(5.16lb)
LCD	LCD Size	12.1" TFT
	Resolution	1280 x 800
	Colors	16.7MB
	Active Area (W x H)	261.12mmx 163mm
	Backlight	LED
	MTBF	50000hrs
	Pixel Pitch (H x V)	0.204x 0.204
	Luminance	400cd/m2
	Contrast Ratio	1000 : 1
	Viewing Angle	(L) 88 / (R) 88 / (T) 88 / (B) 88
Touchscreen	Type	Multi-point capacitive touch screen
	Transmittance	> 87%
	Controller interface	USB
	Driver Support	Windows XP, Windows 7, Windows 8, Windows 10, Linux
	Multi-touch	10 points (windows system)
	Surface Hardness	Mohs' 7H
Environmental	Operating Temperature	-20~60°C (-4~140°F) 0~45°C (32~113°F)
	Storage Temperature	-30 ~ 80°C (-22 ~ 176 °F)
	Relative humidity	5~95% RH@40°C, non-condensing
	Vibration	Operating Random Vibration Test 5~500Hz, 1.5Grms@with SSD, follow IEC 60068-2-6
	Shock	Operating 10G peak acceleration (11ms duration), follow IEC 60068-2-27
	EMC	CE/FCC Class B
	Front Panel Protection	IP65 Compliant

Dimensions: mm



Interface figure:

The interface definition:

- A: USB PORT B: DC IN (12V-24V)
- C: DVI PORT D: VGA PORT

Ordering Information:

Product Code	Description
PANEL5000-C122W-L	12.1" TFT LCD/Capacitive Touch Screen/DC12-24V input/1280*800

Packing List:

Mounting screws	4*pcs Thickness=1mm~1.2mm
Terminal	2pin Phoenix terminal
VGA Cable	1.8M
USB Cable	1.8M

Option Items:

Adapter	12V/3.33A,40W 2pin Phoenix terminal
Power Cord	1.8M/ 3M /5M
VGA Cable	3M /5M
USB Cable	3M /5M
DVI Cable	1.8M /3M /5M