

NP-NNZ-J6412-JH4 (Black edition)

- Fanless, Low power consumption
- 2 x RS232/485, 8 x RS485, 8 x DI, 4 x Relay DO



■ Features

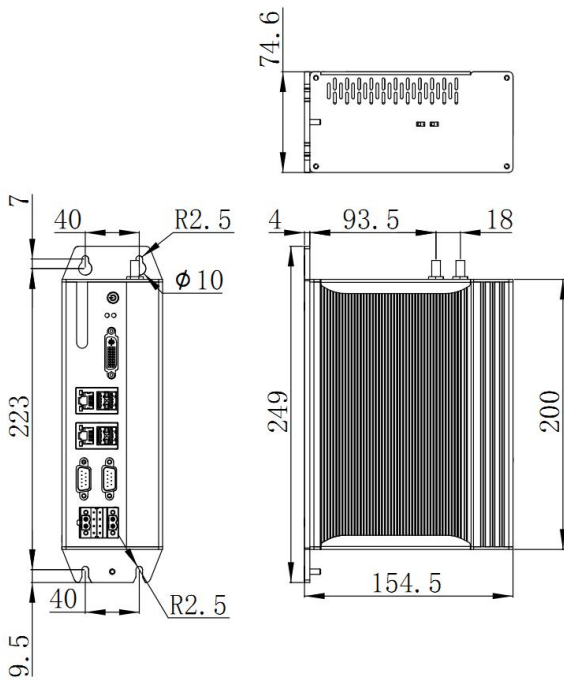
- 2 x Intel GbE LAN controller
- 4 x USB on the front, 1 x USB2.0 on board for USB dongle
- 2 x RS232/485, 8 x RS485, RS485 support auto flow control
- 8 x isolated DI, 4 x Relay DO(NO)
- 1 x miniPCIe expansion slot, support 3G/4G modules
- DC12~24V Power supply with overcurrent, overvoltage and polarity inverse protection
- Support wall-mounted or DIN-Rail fixing style
- Fully enclosed structure, fanless and no cable design
- Wide operating temperature -20 ~ 60°C supported



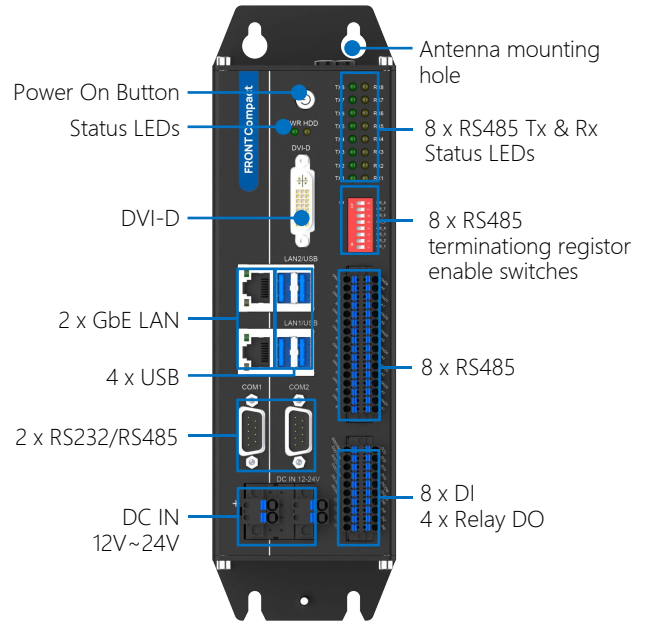
■ Specifications

Model Name		NP-NNZ-J6412-JH4 (Black edition)	
System	CPU	Intel® Celeron J6412, 2.0~2.6GHz, 4 cores/4 threads, 1.5MB L2 cache	
	TDP	10W	
	BIOS	AMI UEFI BIOS	
	Memory	1 x SO-DIMM DDR4-2400MHz (max. 16GB)	
	Storage	1 x mSATA bay	
	USB	2 x USB3.0, 2 x USB2.0	
		1 x USB2.0 Type A on the board for USB dongle	
	COM	2 x COM(DB-9), selectable to support RS232 or RS485 mode by the switch, 8 x RS485(Phoenix Contactors), RS485 support auto flow control,(ESD protection for RS232: Air gap ±8KV, Contact ±6KV)	
	DI	8 x DI NPN/PNP, isolated 3750 Vrms	
	DO	4 x Relay DO, Normally Open, 30VDC(Imax: 1.0A)/60VDC(Imax: 0.3A)/125VAC(Imax: 0.5A)	
	Ethernet	2 x Intel GbE LAN controller	
	DVI-D	Support up to 1920 x 1080 @ 60Hz	
	Expansions	1 x Full-size PCIe Mini slot with SIM card holder(with USB signal)	
Watch Dog	1~255 levels programmable		
OS Support	Microsoft Windows	Windows 10 IoT	
	Linux	Ubuntu, CentOS, Debian	
Power	Voltage Input	DC12~24V ±10%, overcurrent, overvoltage and polarity inverse protection	
	Power Consumption	Max. 60W	
Chassis	Structure	Aluminum-magnesium alloy box, Fanless, Wall-mounted or DIN-Rail	
	Dimensions	(L)200mm x (W)154.5mm x (H)74.6mm	
	Net Weight	2.1Kg	
Environment	Work Temperature	-20°C ~ 60°C (-4°F ~ 140°F) with air flow (SSD)	
	Storage Temperature	-40°C ~ 80°C (-40°F ~ 176°F) with air flow (SSD)	
	Relative Humidity	5~95% (Non-condensing)	
	Operating Vibration	5~500Hz, 1.5Grms@with SSD, Follow IEC60068-2-64	
	Operating Shock	20G peak acceleration(11ms duration) with SSD, Follow IEC60068-2-27	
EMC	CE/FCC Class A		

■ Dimensions (Unit: mm)



■ Interfaces



■ Ordering Information

Part No.	Product	Description
6165437	NP-NNZ-J6412-JH4 (Black edition)	CPU:J6412, RAM:NULL, mSATA: NULL, 2 x COM(RS232/485 selectable), 8 x RS485, 2 x LAN, 2 x USB3.0, 2 x USB2.0, DVI-D, 8 x DI, 4 x Relay output, DC12~24V Power input

■ Options

Parts	Description
DDR4 Memory	DDR4-2400MHz: 4GB, 8GB, 16GB
DDR5 Memory	DDR5-4800MHz: 8GB, 16GB
mSATA SSD	64GB, 128GB, 256GB, 512GB, 1TB
3G/4G Module	mini PCIE: EC20, EG25, EC25
Mount Option	DIN-Rail

Note: If some optional parts are offered with the system, additional system certificates may be required in certain regions/countries. Please contact NODKA for certificate compliance.