

NP-6111-JH4

- Fanless, Low power consumption
- 2 x RS232/485, 8 x RS485, 8 x DI, 4 x Relay DO

■ Features

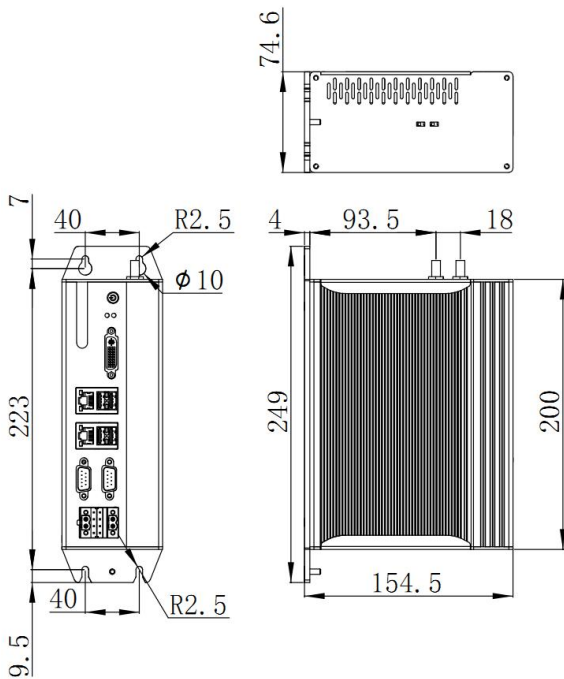
- 2 x Intel GbE LAN controller
- 4 x USB on the front, 1 x USB2.0 on board for USB dongle
- 2 x RS232/485, 8 x RS485, RS485 support auto flow control
- 8 x isolated DI, 4 x Relay DO(NO)
- 1 x miniPCIE expansion slot, support 3G/4G modules
- DC12~24V Power supply with overcurrent, overvoltage and polarity inverse protection
- Support wall-mounted or DIN-Rail fixing style
- Fully enclosed structure, fanless and no cable design
- Wide operating temperature -20 ~ 60°C supported



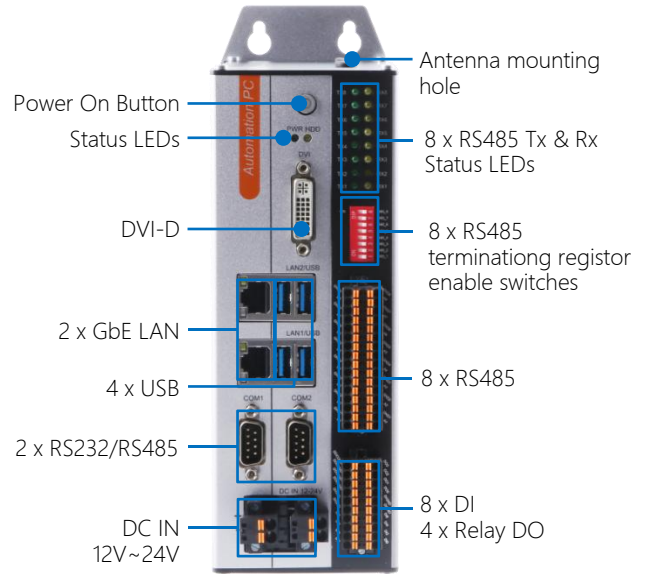
■ Specifications

Model Name		NP-6111-JH4-J1900	NP-6111-JH4-J6412	NP-6111-JH4-N305	NP-6111-JH4-N97
System	CPU	Intel® Celeron J1900, 2.0GHz, 4 cores/4 threads, 2MB L2 cache	Intel® Celeron J6412, 2.0~2.6GHz, 4 cores/4 threads, 1.5MB L2 cache	Intel® Core i3-N305, 8 cores/8 threads, 6M Intel® Smart Cache, up to 3.8GHz	Intel® Processor N97, 4 cores, 6MB Intel® Smart Cache, up to 3.6GHz
	TDP	10W		15W	12W
	BIOS	AMI UEFI BIOS			
	Memory	1 x SO-DIMM DDR3L-1333MHz (max. 8GB)	1 x SO-DIMM DDR4-2400MHz (max. 16GB)	1 x SO-DIMM DDR5-4800MHz (max. 16GB)	
	Storage	1 x mSATA bay			
	USB	1 x USB3.0, 3 x USB2.0	2 x USB3.0, 2 x USB2.0		1 x USB2.0 Type A on the board for USB dongle
	COM	2 x COM(DB-9), selectable to support RS232 or RS485 mode by the switch, 8 x RS485(Phoenix Contactors), RS485 support auto flow control, (ESD protection for RS232: Air gap ±8KV, Contact ±6KV)			
	DI	8 x DI NPN/PNP, isolated 3750 Vrms			
	DO	4 x Relay DO, Normally Open, 30VDC(Imax: 1.0A)/60VDC(Imax: 0.3A)/125VAC(Imax: 0.5A)			
	Ethernet	2 x Intel GbE LAN controller			
	DVI-D	Support up to 1920 x 1080 @ 60Hz			
	Expansions	1 x Full-size PCIe Mini slot with SIM card holder(with USB signal)			
	Watch Dog	1~255 levels programmable			
OS Support	Microsoft Windows	Windows 10 IoT			
	Linux	Ubuntu, CentOS, Debian			
Power	Voltage Input	DC12~24V ±10%, overcurrent, overvoltage and polarity inverse protection			
	Power Consumption	Max. 60W			
Chassis	Structure	Aluminum-magnesium alloy box, Fanless, Wall-mounted or DIN-Rail			
	Dimensions	(L)200mm x (W)154.5mm x (H)74.6mm			
	Net Weight	2.1Kg			
Environment	Work Temperature	-20°C ~ 60°C (-4°F ~ 140°F) with air flow (SSD)			
	Storage Temperature	-40°C ~ 80°C (-40°F ~ 176°F) with air flow (SSD)			
	Relative Humidity	5~95% (Non-condensing)			
	Operating Vibration	5~500Hz, 1.5Grms@with SSD, Follow IEC60068-2-64			
	Operating Shock	20G peak acceleration(11ms duration) with SSD, Follow IEC60068-2-27			
EMC	CE/FCC Class A				

■ Dimensions (Unit: mm)



■ Interfaces



■ Ordering Information

Part No.	Product	Description
B73.61110.07.0001	NP-6111-JH4-J1900	CPU:J1900,RAM:NULL, mSATA: NULL, 2 x COM(RS232/485 selectable), 8 x RS485, 2 x LAN, 1 x USB3.0, 3 x USB2.0, DVI-D, 8 x DI, 4 x Relay output, DC12~24V Power input
B73.61110.07.0005	NP-6111-JH4-J6412	CPU:J6412,RAM:NULL, mSATA: NULL, 2 x COM(RS232/485 selectable), 8 x RS485,2 x LAN, 2 x USB3.0, 2 x USB2.0, DVI-D, 8 x DI, 4 x Relay output, , DC12~24V Power input
B73.61110.07.0006	NP-6111-JH4-N305	CPU:N305,RAM:NULL, mSATA: NULL, 2 x COM(RS232/485 selectable), 8 x RS485,2 x LAN, 2 x USB3.0, 2 x USB2.0, DVI-D, 8 x DI, 4 x Relay output, DC12~24V Power input
B73.61110.07.0007	NP-6111-JH4-N97	CPU:N97,RAM:NULL, mSATA: NULL, 2 x COM(RS232/485 selectable), 8 x RS485, 2 x LAN, 2 x USB3.0, 2 x USB2.0, DVI-D, 8 x DI, 4 x Relay output, , DC12~24V Power input

■ Options

Parts	Description
DDR3L Memory	DDR3L-1333MHz: 4GB, 8GB
DDR4 Memory	DDR4-2400MHz: 4GB, 8GB, 16GB
DDR5 Memory	DDR5-4800MHz: 8GB, 16GB
mSATA SSD	64GB, 128GB, 256GB, 512GB, 1TB
3G/4G Module	mini PCIE: EC20, EG25, EC25
Mount Option	DIN-Rail

Note: If some optional parts are offered with the system, additional system certificates may be required in certain regions/countries. Please contact NODKA for certificate compliance.