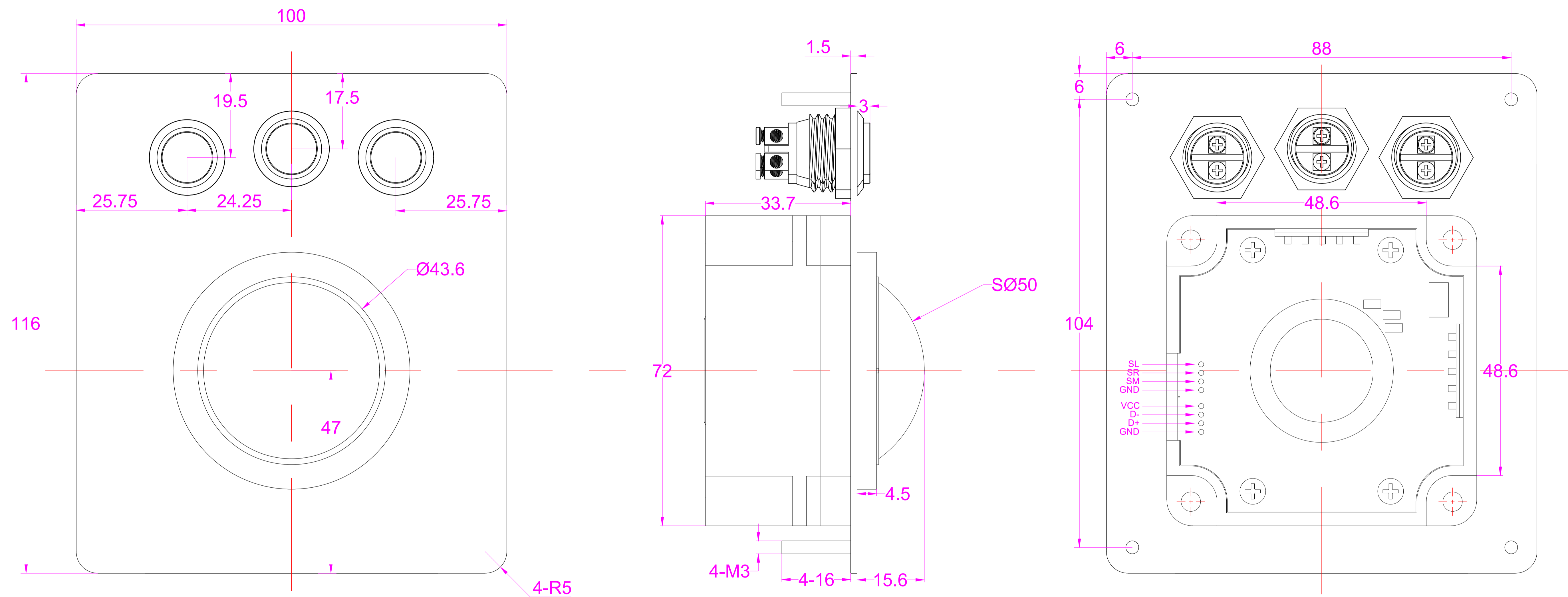
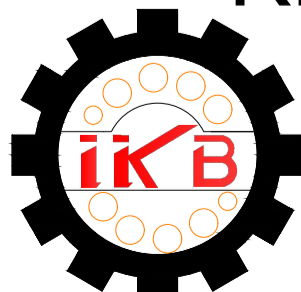
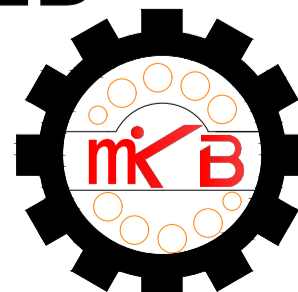
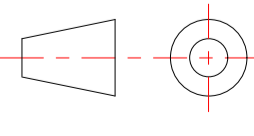


Date	Changes	REV
27.05.2022	Original	1.0




KEY TECHNOLOGY(CHINA)LIMITED
 深圳市键特电子有限公司

www.rugged-key.com www.ikb-mkb.com

Part Name	K-TEK-B100-50-LTB			Project Name				
Part No.				Project No.				
Material				Scale	1:1	Unit	mm	
Date	27.05.2022	Version	1.0	Tolerance	IT12	Sheet	1 of 1	
Designed	Zou Chao	Audited		Tony Deng	Approved			