

Area Scan lens

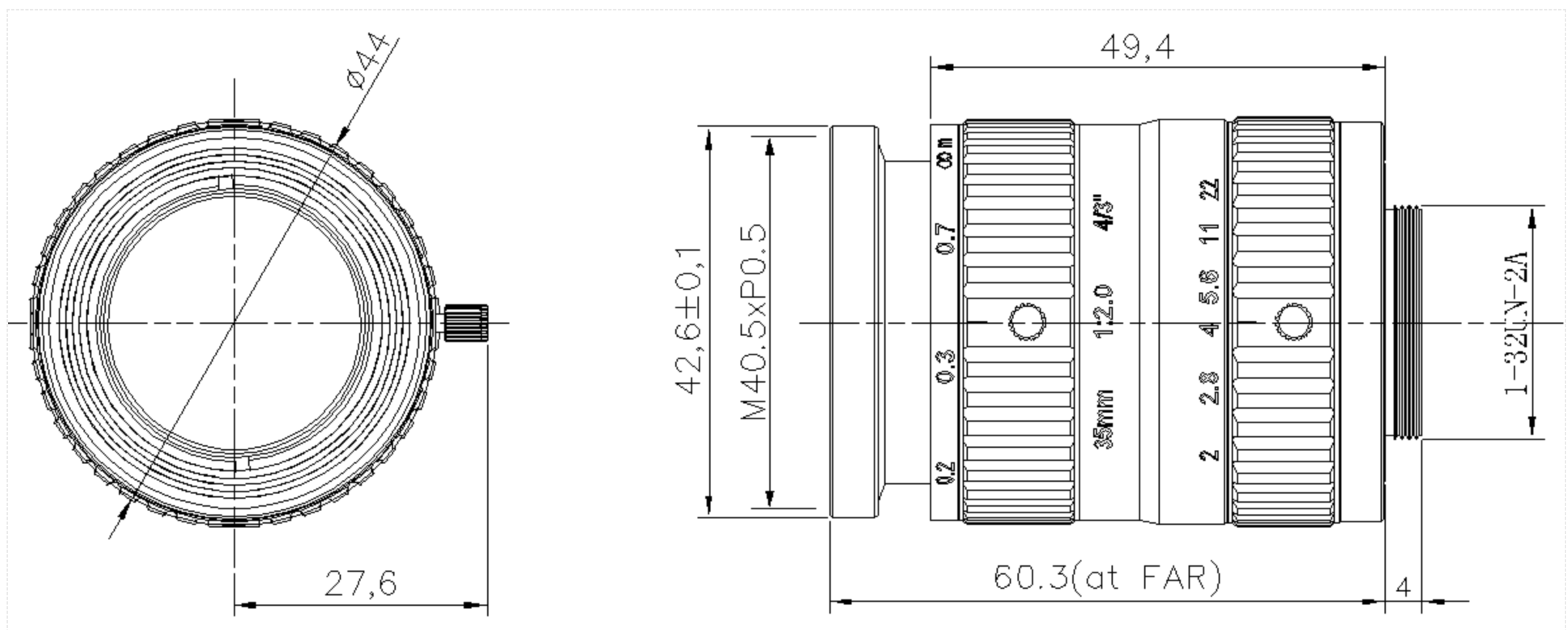
MH3520K



Features

- Support up to 4/3" camera sensors;
- 6 models, focal length covering from 8.5mm to 50mm;
- High resolution for 10MP camera in full of view;
- Low distortion , F2.0 large circle ;
- Stable sharpness quality when temperature varies from -20°C~50°C ;

Dimensions (mm)



Specification

	Model	MH3520K
Basic	Series	MH-K Series
	Model	MH3520K
	Focal Length	35mm
	Aperture	F2.0 - F22
	Image Sensor Size	Φ23mm(4/3")
	Focus Range	0.2m to infinite
	Optical Distortion	-0.56%
	TV Distortion	-0.22%
	Field of View	36.6°x29.6°x22.4°(4/3")
	Relative Illumination	45% (F2.0); 76% (F4.0)
	CRA (Chief Ray Angle)	14.3°
	Spectral Range	436nm~656nm
	Spectral Transmission	T>85%
Structure	Camera Mount	C Mount
	Filter Thread	M40.5xP0.5
	Focus Control	Manual
	Iris Control	Manual
	Product Dimensions	54.90mm x Φ44.6mm
	Net Weight	173 g
Environment	Operating Temperature	-20°C to +50°C