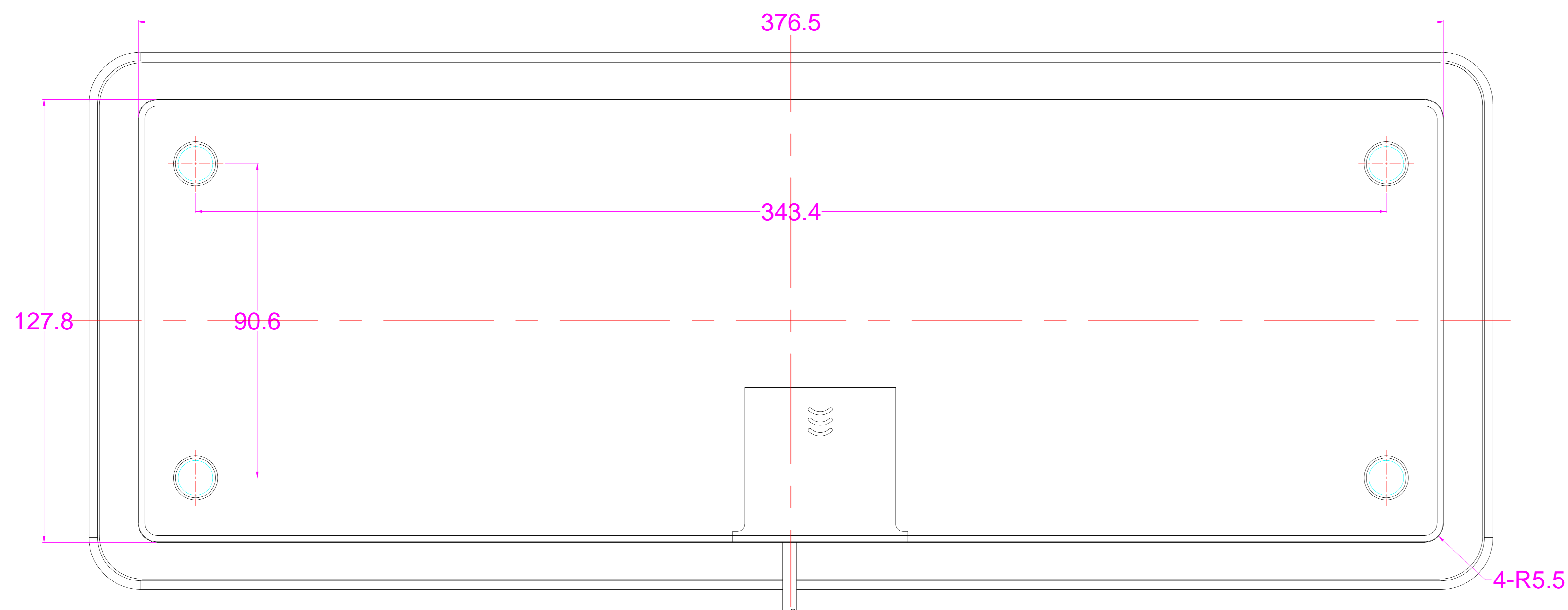
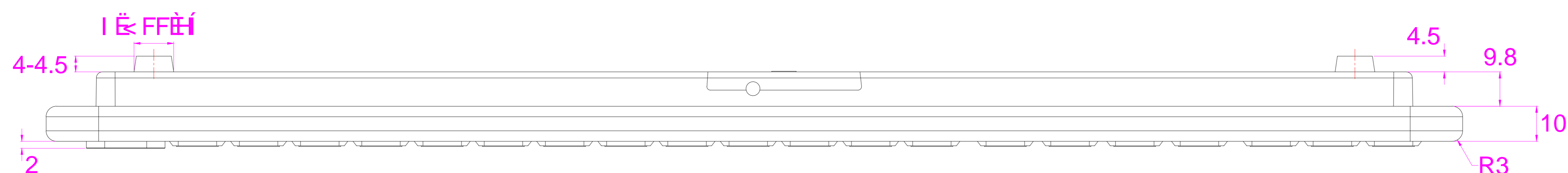
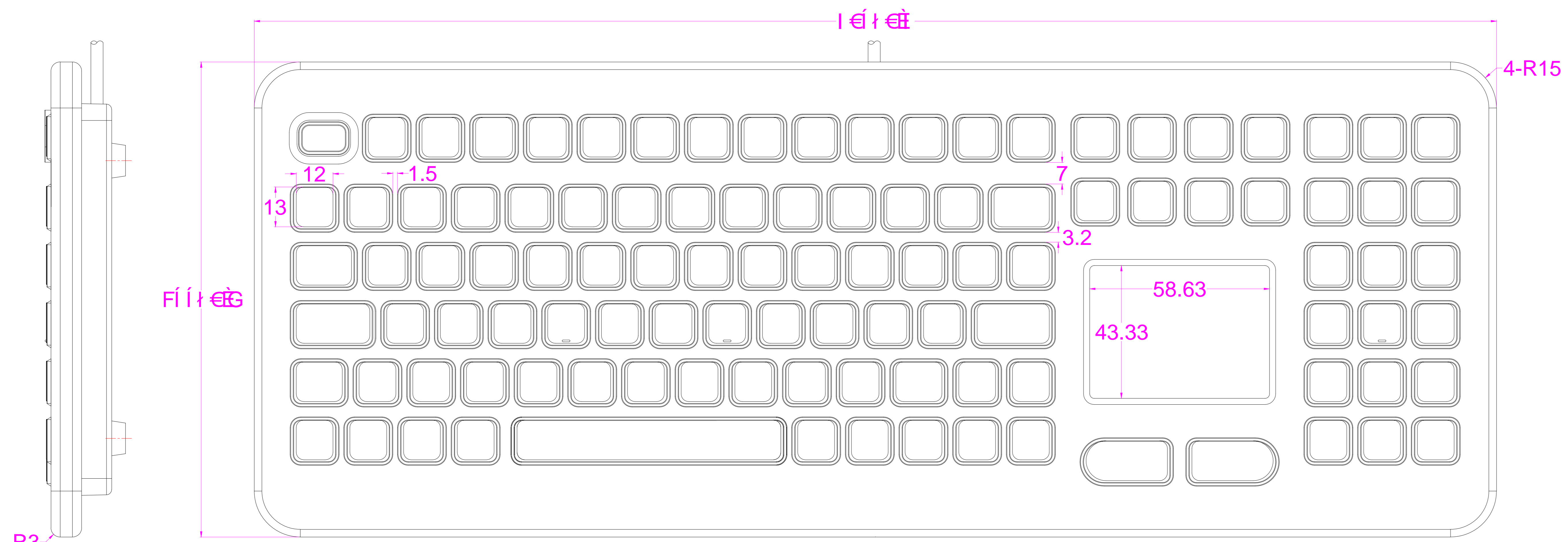
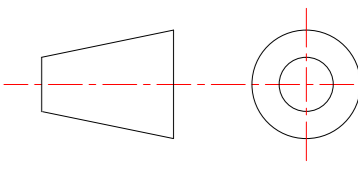


| Date | Changes | REV |
|------------|----------|-----|
| 18.09.2018 | Original | 1.0 |
| | | |
| | | |



| | | | | | | | | |
|-----------|-----------------------|---------|-----|--------------|----------|-------|--------|---|
| Part Name | K-TEK-M399TP-KP-FN-DT | | | Project Name | | | | |
| Part No. | | | | Project No. | | | | |
| Material | | | | Scale | 1:1 | Unit | mm |  |
| Date | 18.09.2018 | Version | 1.0 | Tolerance | | Sheet | 1 of 1 | |
| Designed | Chen XiaoBing | Audited | | Tony Deng | Approved | | | |