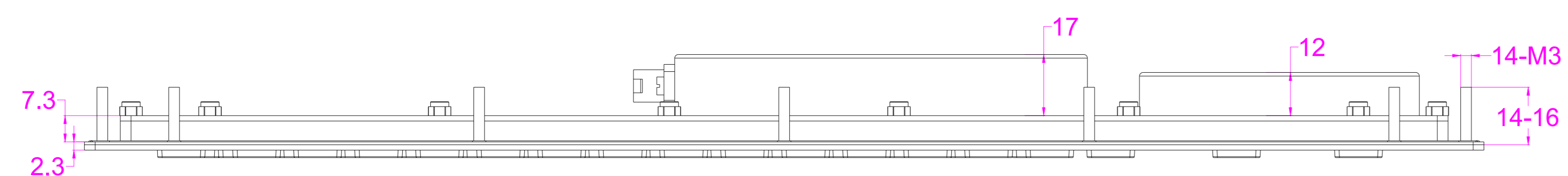
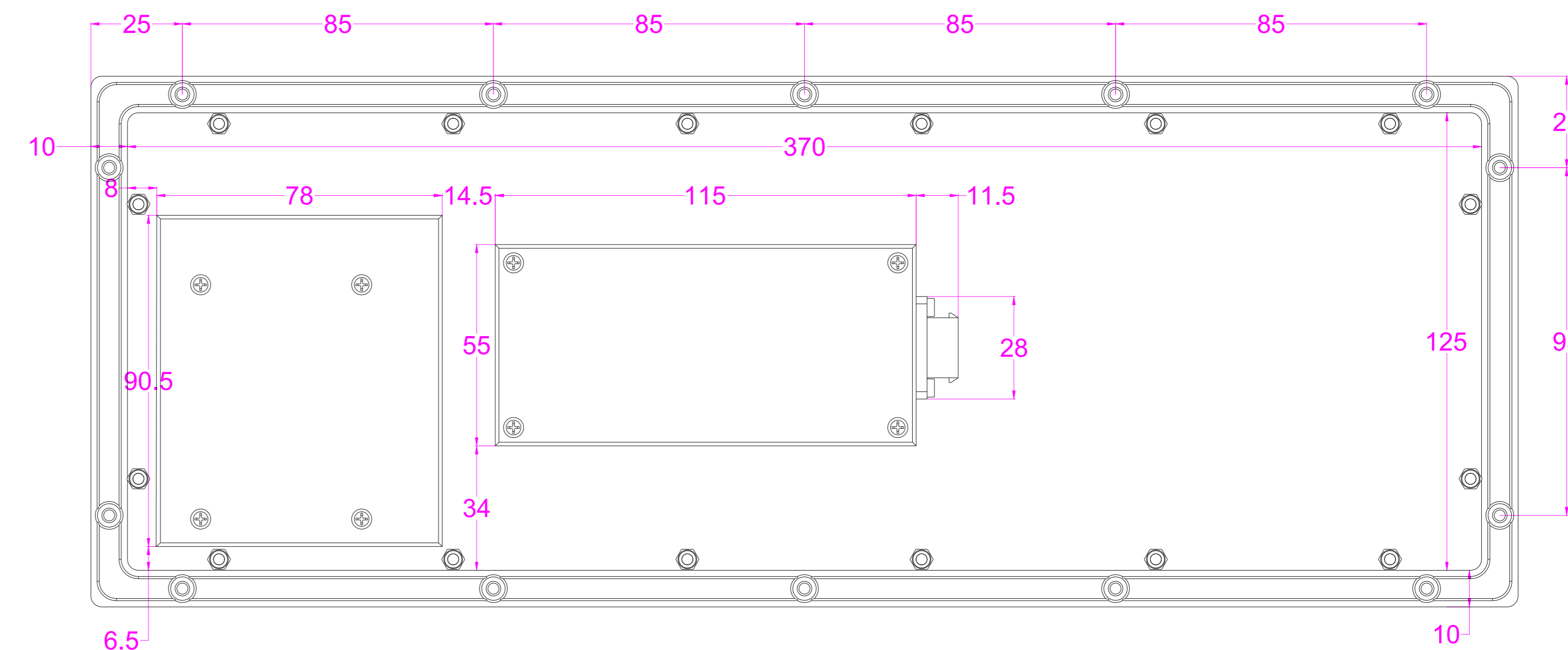
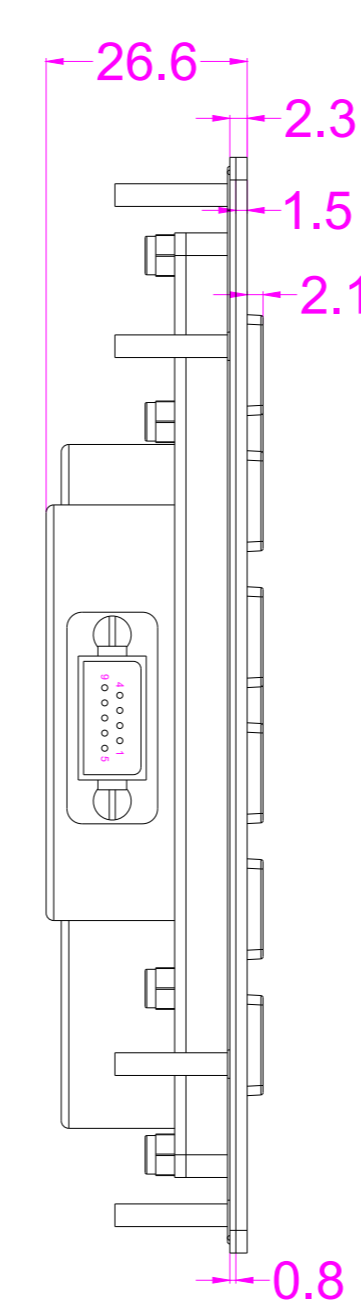
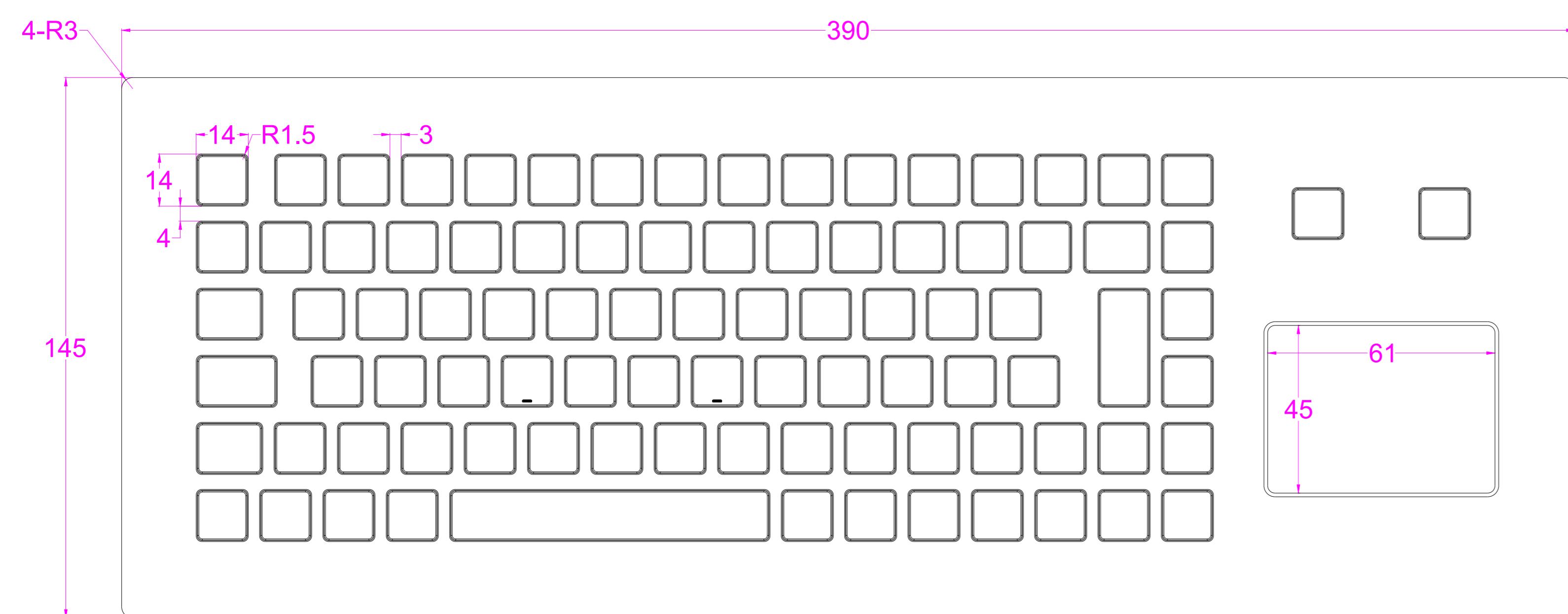


Date	Changes	REV
2021.09.23	Original	1.0



航插外形	航插型号	芯线号	点含义	说明
	J14A-9ZJB	2	VCC	USB接口
		8	D-	
		4	D+	
		6	GND	
		1、3、5、7、9	空	

Part Name				Project Name			
Part No.	K-TEK-M390TP-FN-BL-NV-151B-BT-DWP			Project No.			
Material				Scale	1:1	Unit	mm
Date	2021.09.23	Version	1.0	Tolerance	IT12	Sheet	1 of 1
Designed	Chen Zhenjie	Audited		Tony Deng	Approved		