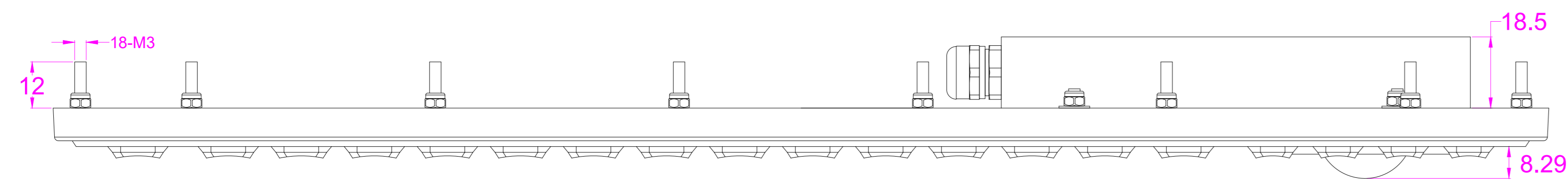
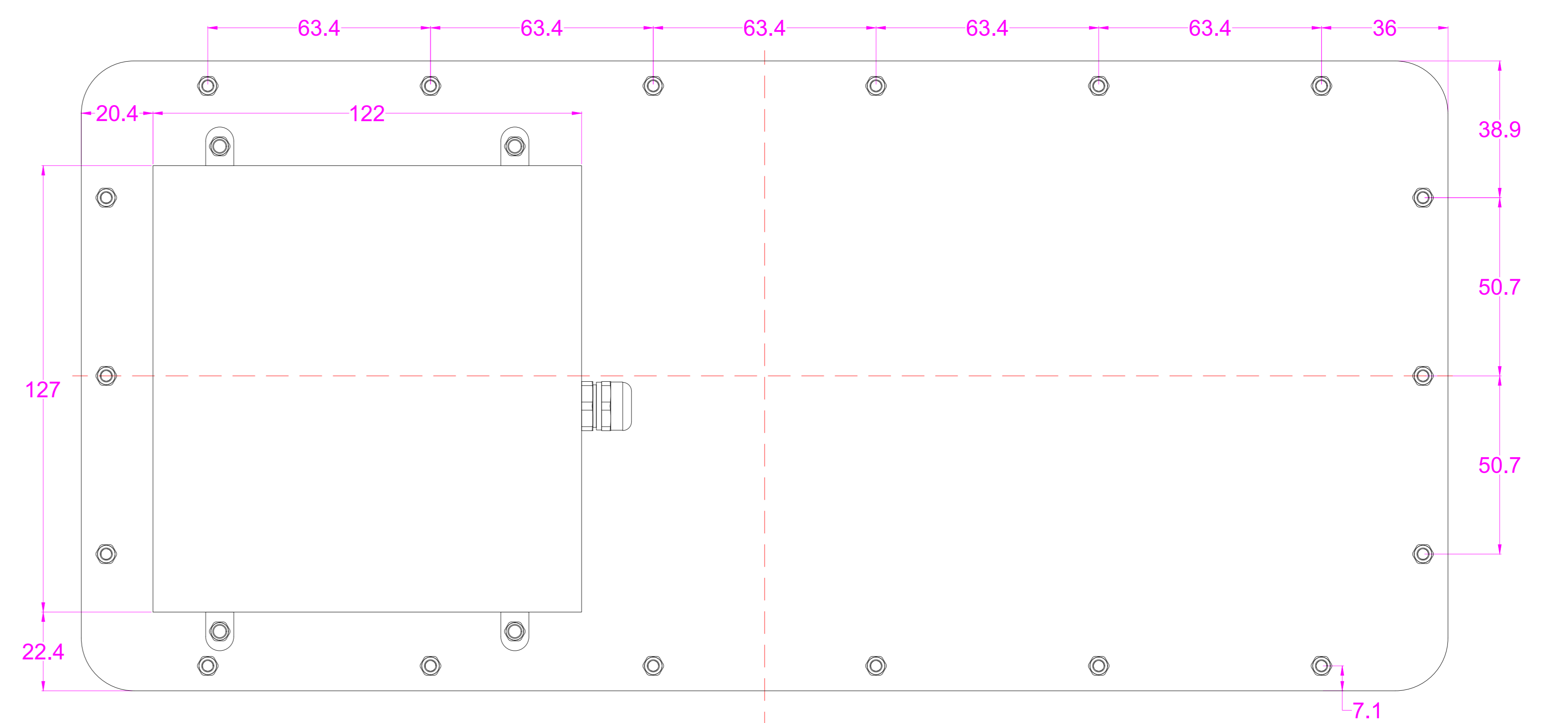
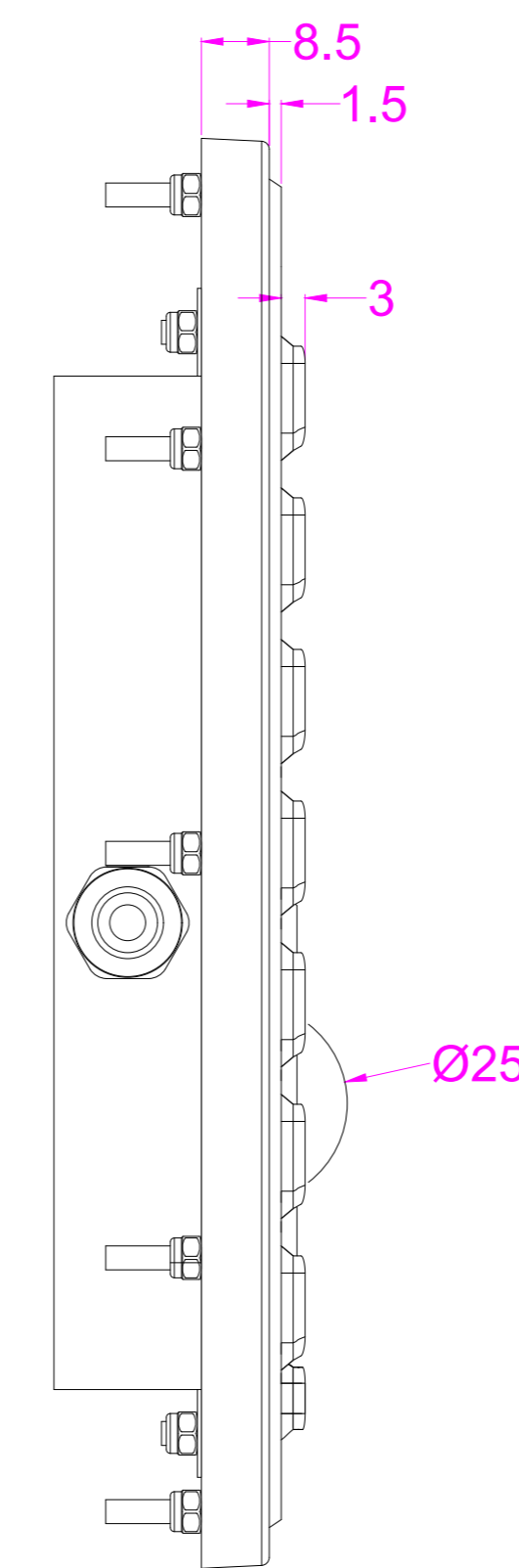
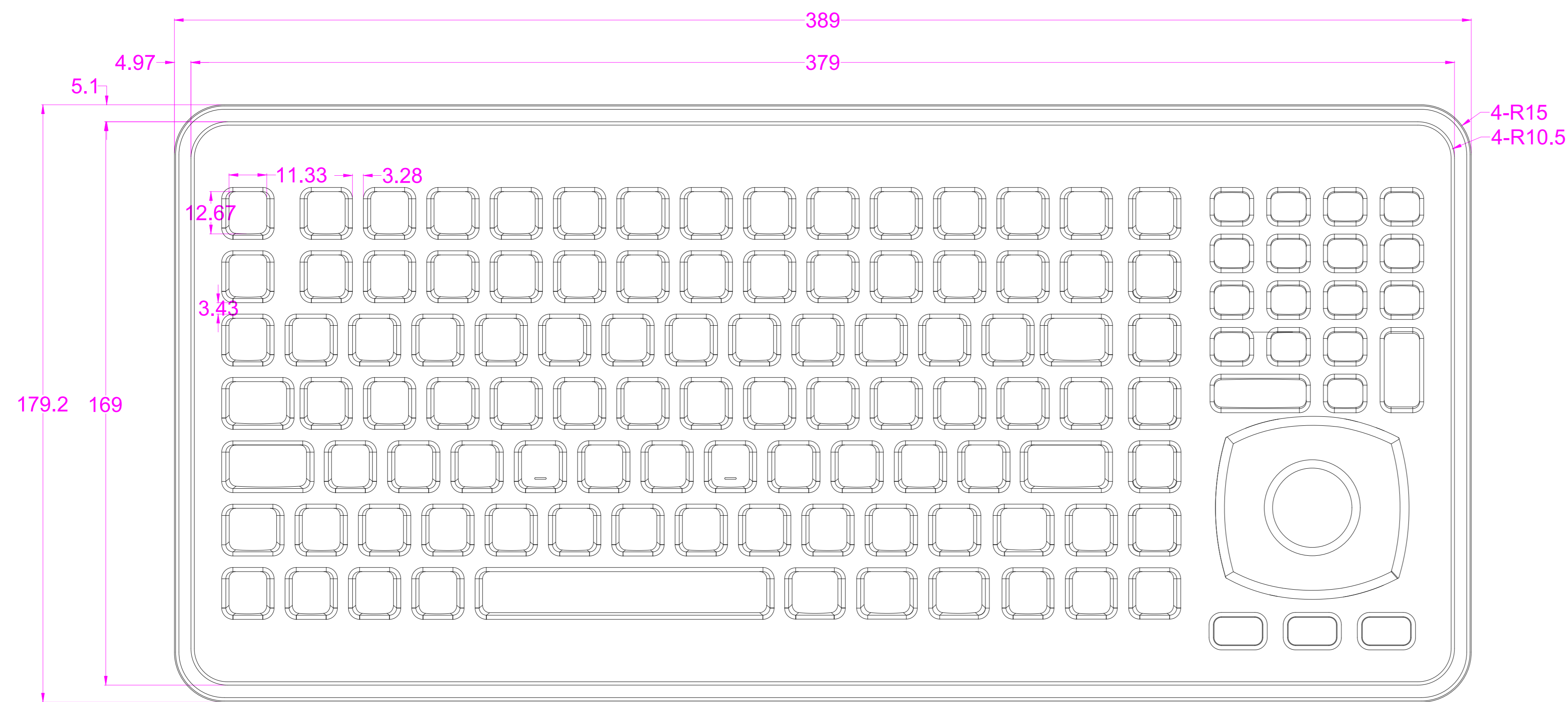
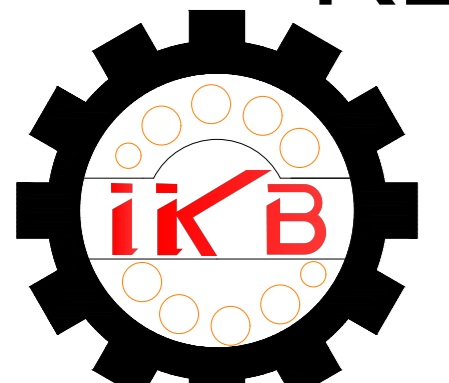
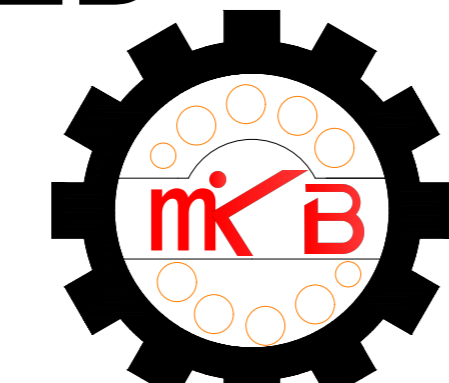


Date	Changes	REV
2021.03.23	Original	1.0




**KEY TECHNOLOGY(CHINA)LIMITED**  
 深圳市键特电子有限公司  


[www.key-tek.cn](http://www.key-tek.cn)    [www.ikb-mkb.com](http://www.ikb-mkb.com)

Part Name		Project Name		
Part No.		Project No.		
Material	Scale		1:1	Unit
Date	2021.03.23	Version	1.0	mm
Designed	Chen Zhenjie	Tolerance	IT12	Sheet
Audited	Tony Deng		Approved	1 of 1