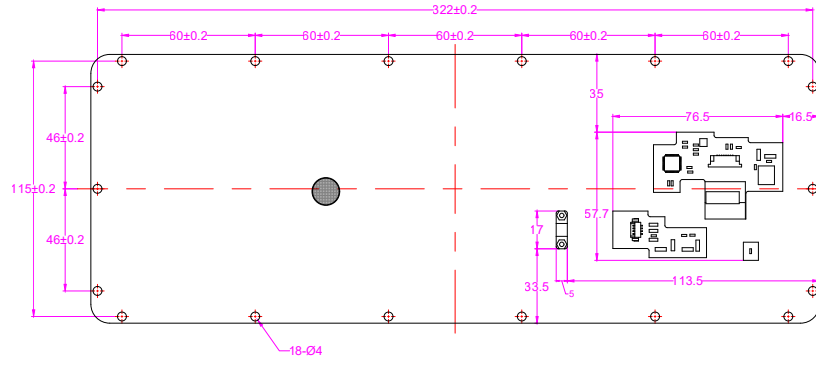
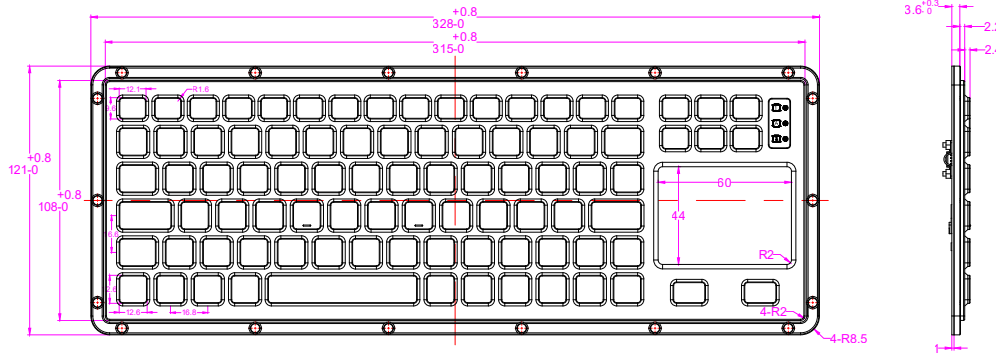


Date	Changes	REV
2024.01.02	Original	1.0



KEY TECHNOLOGY(CHINA)LIMITED

东莞市键特电子有限公司

www.rugged-key.com www.rugged-key.cn



Part Name	K-TEK-M315TP-FN-BL-ML			Project Name			
Part No.	K-TEK-M315TP-FN-BL-ML			Project No.			
Material				Scale	1:1	Unit	mm
Date	2024.01.02	Version	1.0	Tolerance	IT9	Sheet	1 of 1
Designed	Caesar Chen	Audited		Tony Deng	Approved		