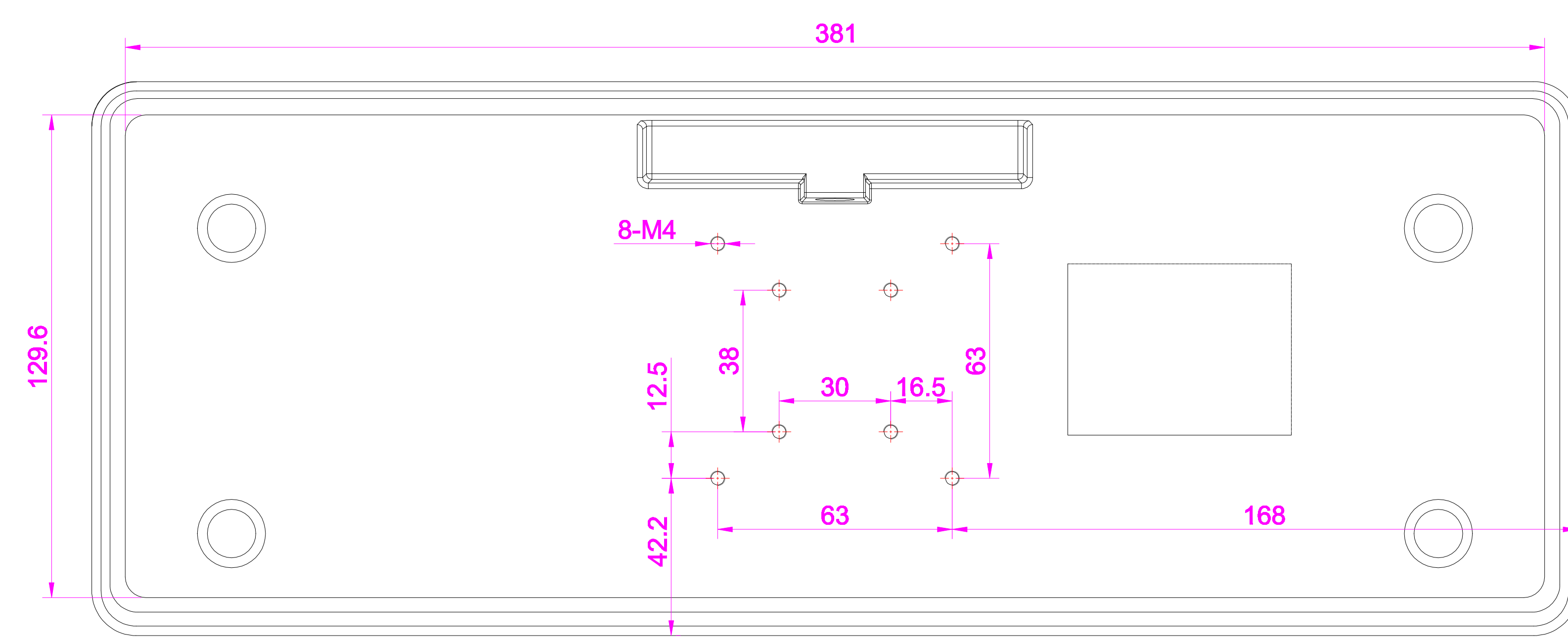
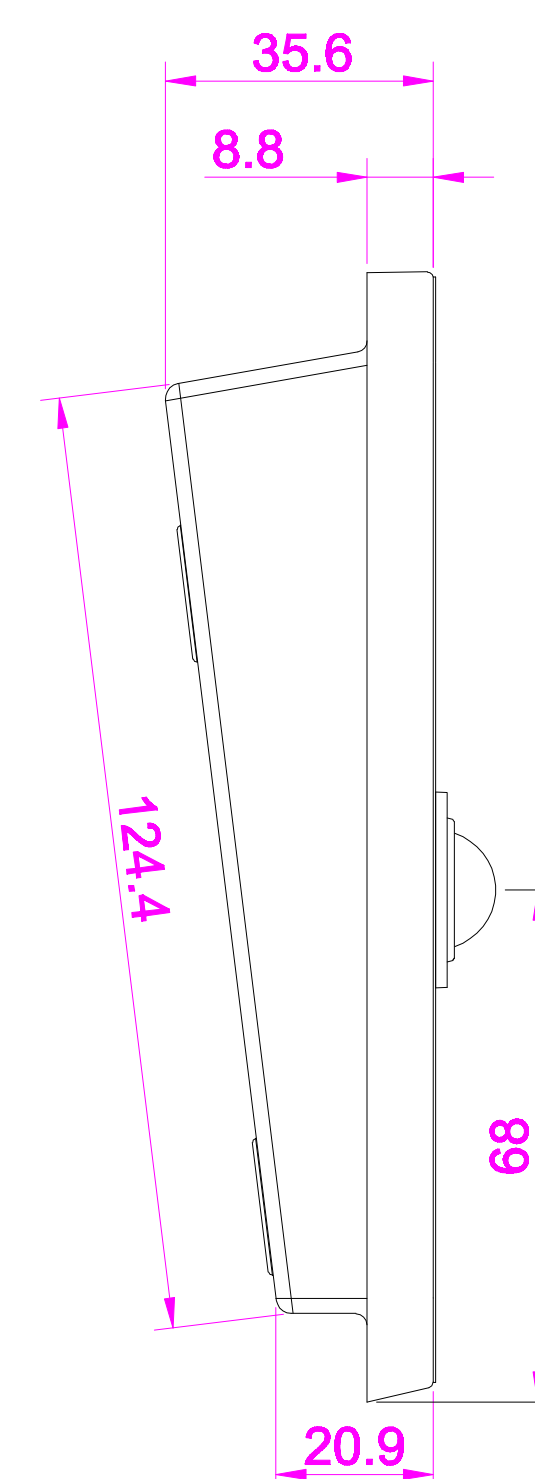
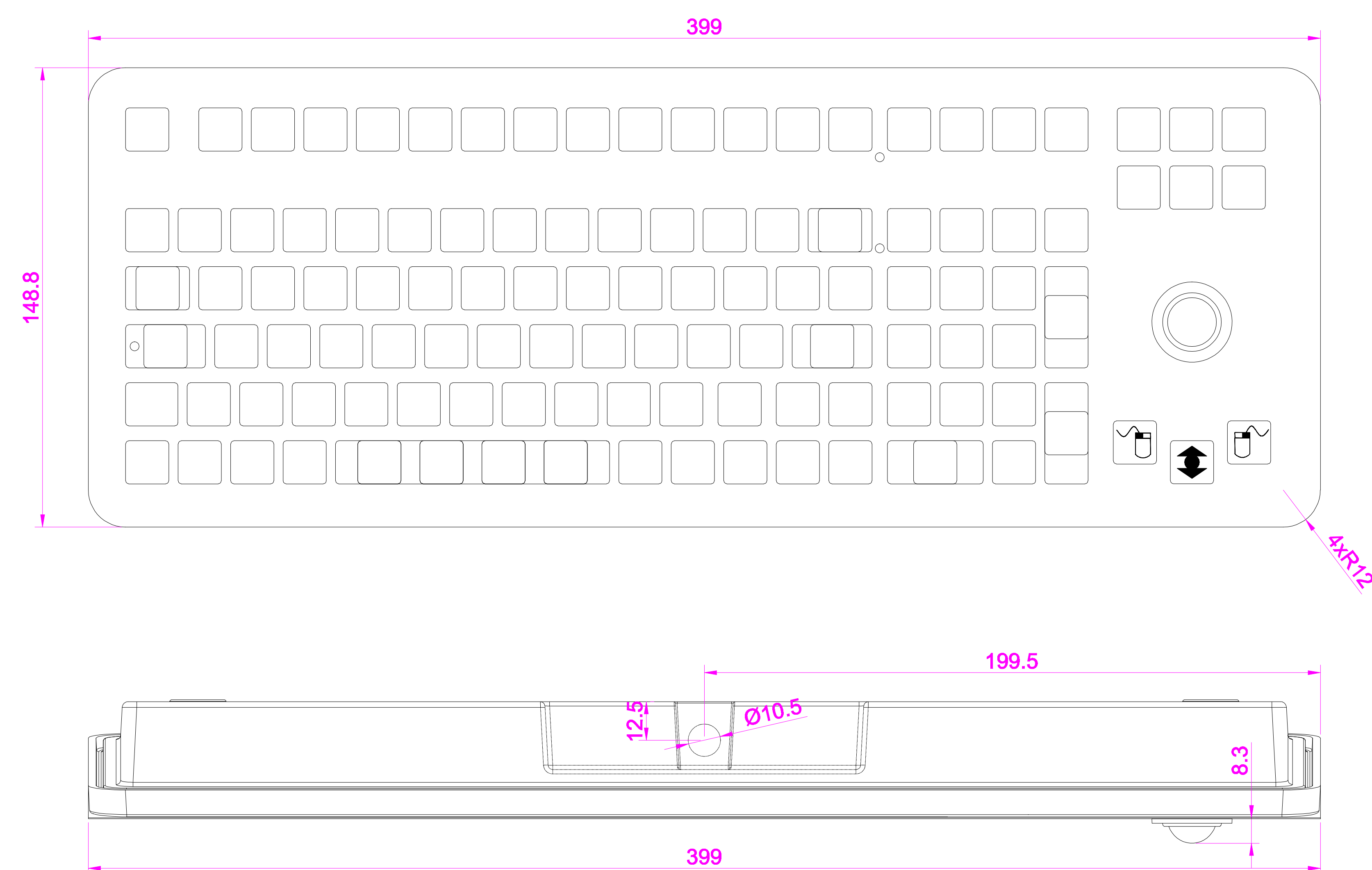
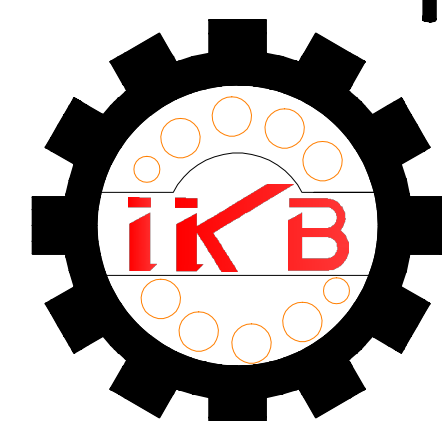


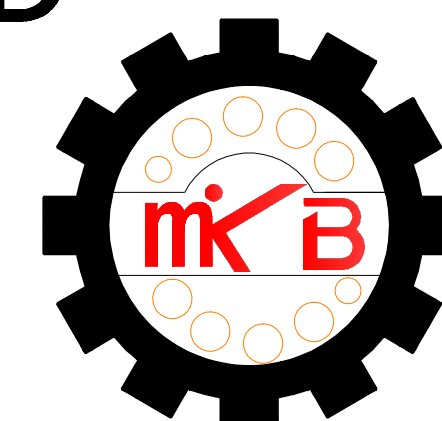
Date	Changes	REV
2019.02.23	Original	1.0



KEY TECHNOLOGY(CHINA)LIMITED



深圳市键特电子有限公司



www.key-tek.cn www.ikb-mkb.com

Part Name		Project Name		
Part No.		Project No.		
Material	Scale		1:1	Unit
Date	2019.02.23	Version	1.0	mm
Designed	Peng XuanJun	Audited	Approved	1 of 1