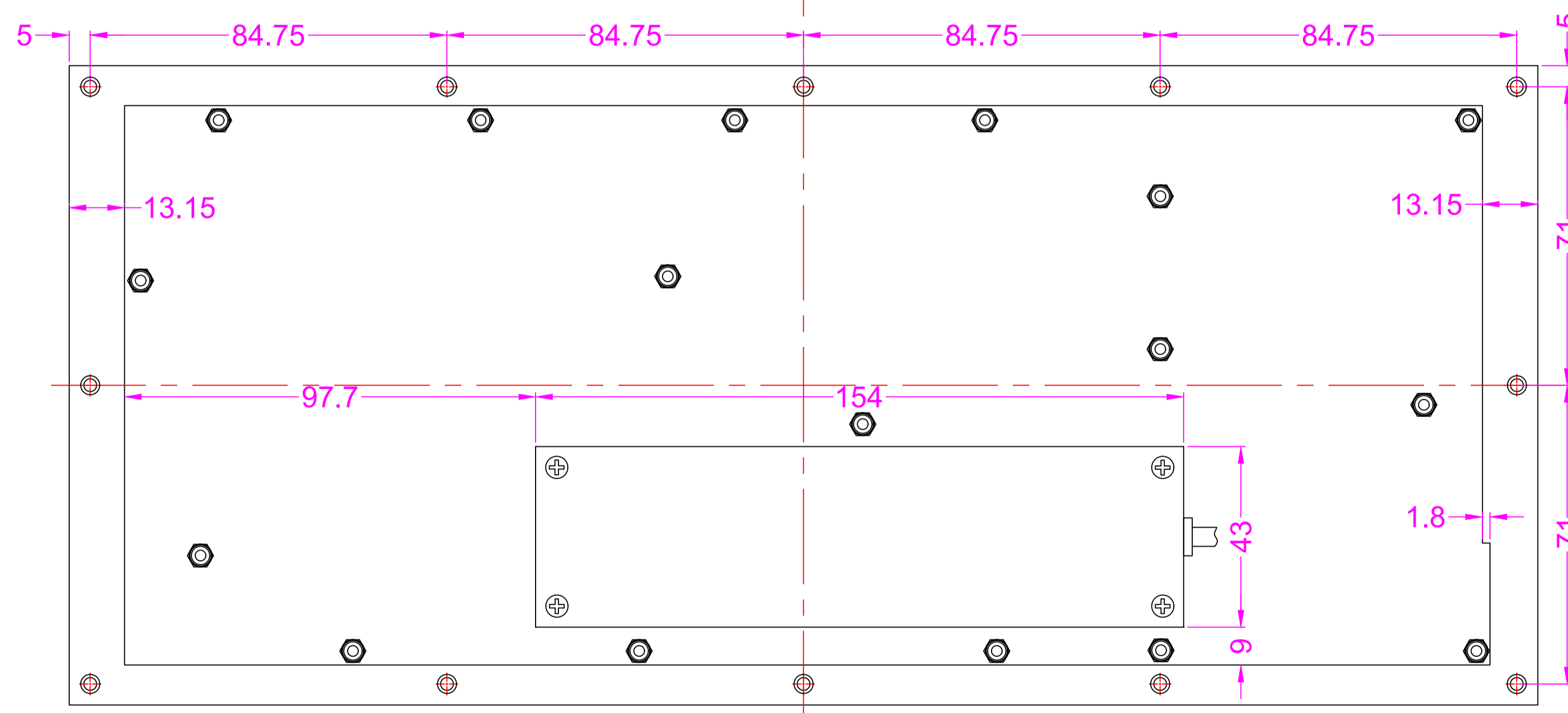
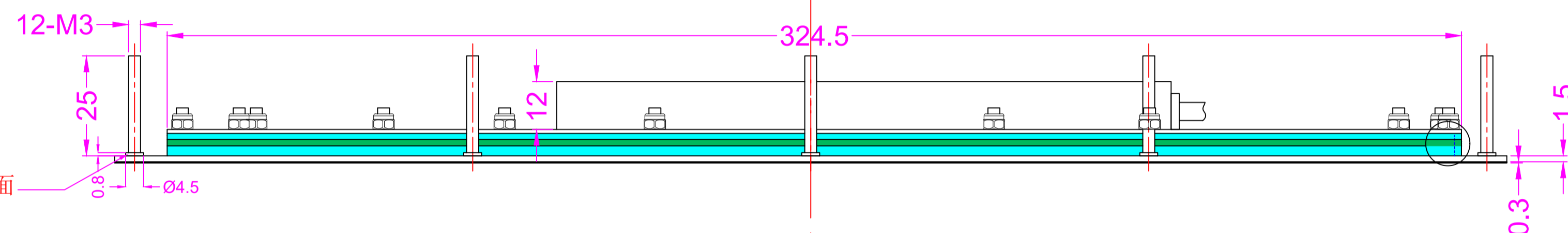
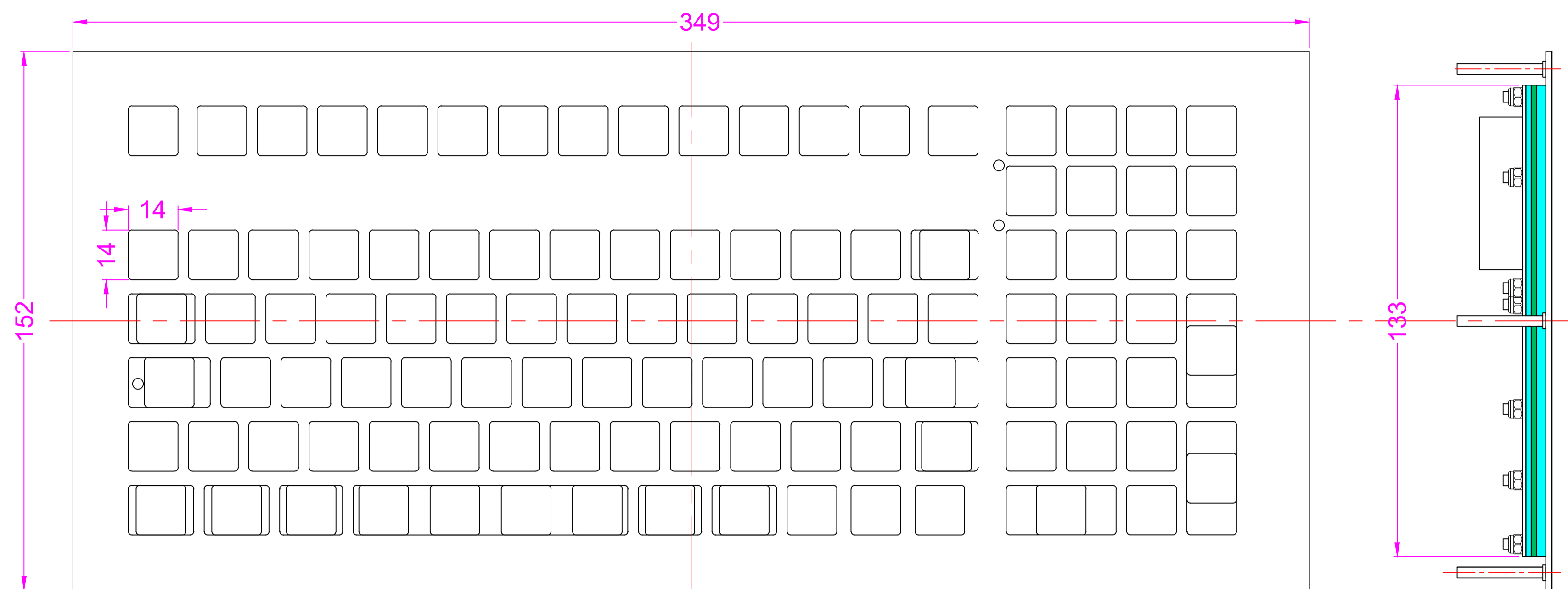


Date	Changes	REV
08.06.2022	Original	1.0



Part Name				Project Name			
Part No.	K-TEK-D349KP-FN-SW			Project No.			
Material				Scale	1:1	Unit	mm
Date	08.06.2022	Version	1.0	Tolerance	IT12	Sheet	1 of 1
Designed	Zou Chao	Audited		Tony Deng	Approved		