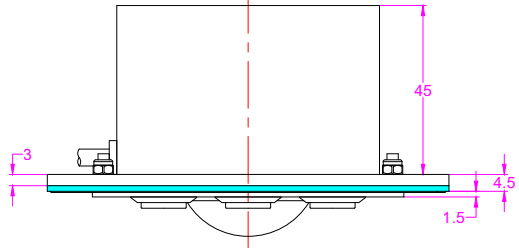
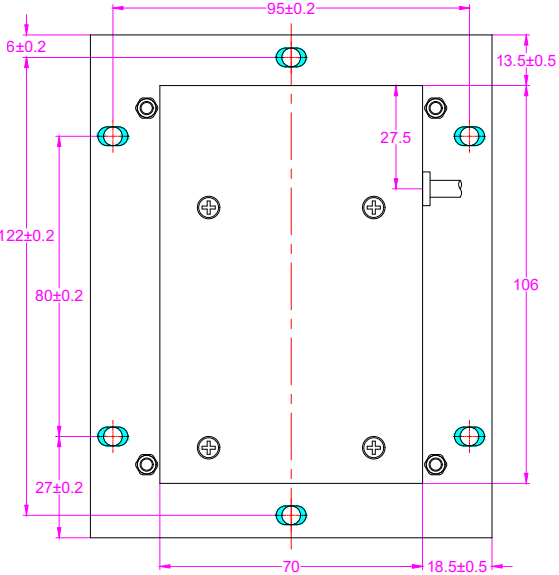
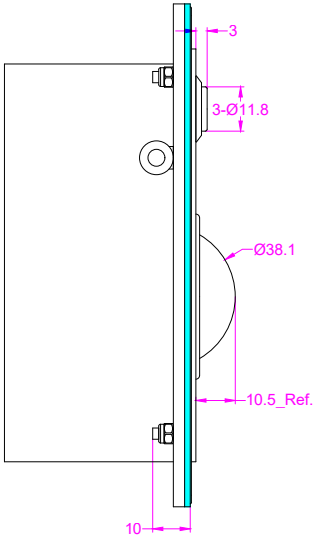
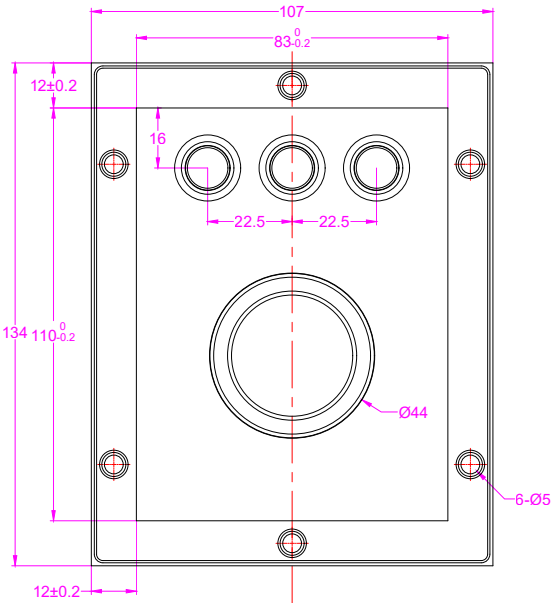


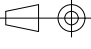


Date	Changes	REV
13.08.2022	Original	1.0




KEY TECHNOLOGY(CHINA)LIMITED
 深圳市键特电子有限公司
www.rugged-key.com www.rugged-key.cn


Part Name		K-TEK-A83-38-OTB-DWP		Project Name					
Part No.				Project No.					
Material				Scale		1:1	Unit	mm	
Date		13.08.2022	Version	1.0	Tolerance	IT12	Sheet	1 of 1	
Designed		Chen Xiaobing		Audited		Tony Deng		Approved	