



KEY TECHNOLOGY (CHINA) LIMITED

深圳市键特电子有限公司

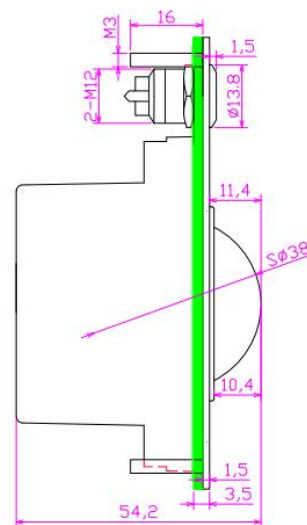
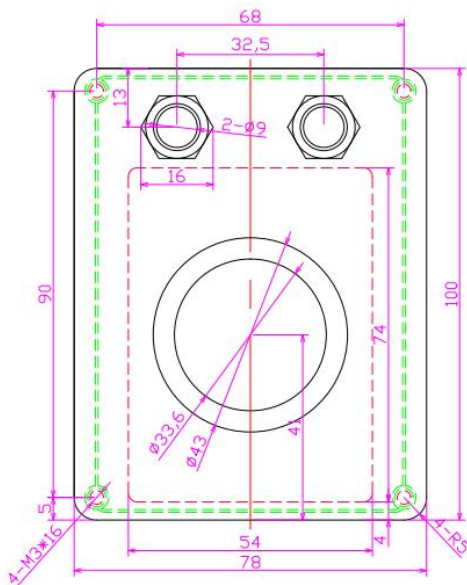


Head Office: B703, Building 1, Tianan Cyber Park, Huang Ge North Road, Longcheng Subdistrict, Long Gang District, ShenZhen, Guang Dong, P.R. China
 Factory ADD.: Floor 7, Building S8, Fenggang Tianan Cyber Park, No. 208 Fenggang Section, Dongshen Road, Fenggang Town, DongGuan, Guang Dong, P.R. China
 Tel: +86 755 89239859, 89230460, 85232807
 Fax: +86 755 89312576
 E-mail: info@key-tek.cn, sales01@key-tek.cn
 Website: www.key-tek.cn, www.rugged-key.com

MODEL NO: K-TEK-B78-38-OTB-DWP

DESCRIPTION: IP65 dynamic rated compact format vandal proof stainless steel optical trackball with IP65 dynamic sealed & ruggedized stainless mouse buttons and IP68 dynamic rated washable 38.0mm hardened resin optical trackball module with +800 DPI resolutions for fast and accurate fixing cursor position with extreme smooth operation without any noise, stainless steel trackball optional, with rubber sealing gasket under top stainless steel plate for easy sealing and tightly mounting with cabinet, stainless steel top plate with threaded bolts for top panel mounting solution. High quality durable black titanium electroplated on the top stainless steel plate optional, with threaded bolts for top panel mounting solution. Which is good for outdoor application with direct rain and very harsh environments with humidity, much dynamic water, oil, dirt, salt mist etc, direct drain pipe is optional, no rust risk and anti-salt spray corrosion.

DIMENSIONS: 78.0mm x 100.0mm (top panel)





KEY TECHNOLOGY (CHINA) LIMITED

深圳市键特电子有限公司



Head Office: B703, Building 1, Tianan Cyber Park, Huang Ge North Road, Longcheng Subdistrict, Long Gang District, ShenZhen, Guang Dong, P.R.China
 Factory ADD.: Floor 7, Building S8, Fenggang Tianan Cyber Park, No. 208 Fenggang Section, Dongshen Road, Fenggang Town, DongGuan, Guang Dong, P.R. China
 Tel: +86 755 89239859, 89230460, 85232807
 Fax: +86 755 89312576
 E-mail: info@key-tek.cn, sales01@key-tek.cn
 Website: www.key-tek.cn, www.rugged-key.com

MAIN FEATURE:

The trackball module can be dynamic washable with water and other liquids.

Emulates most popular mice - uses existing mouse driver and mouse software Interfaces for most workstations and computers.

All Metal Mechanicals provide for rugged, smooth, long lasting and no noisy operation.

Available 38mm diameter Stainless steel optical Trackball for smooth, quick and durable operation and precise cursor positioning without any noise.

Rate Sensitive Dynamic Resolution provides for accelerated movement of the cursor when the ball is moved fast, while retaining one-pixel positioning accuracy when the ball is moved slowly.

Can be mounted horizontally, and vertically.

No metal bearings inside, operation is very smooth, and easy without any noise.

TECHNICAL SPECIFICATION

ITEM	SPECIFICATION	
Mechanical	Key	2 keys, IP65 dynamic quality stainless steel button
	Key top style	sealed round stainless steel buttons with tactile feeling
	Front Plate	Quality brushed stainless steel
	Key Travel	1.40 mm
	Ball diameter	38.1mm/1.50" (16mm, 19mm, 25mm, 50mm also available)
	Key switch lifespan	more than 1 Mio actuations
	Track ball lifespan	>2 millions scrolling
	Power Supply	DC+5V ± 5%
	Mounting Solution	top stainless steel plate with mounting screw bolts
	Dimension	Dimensions with 38mm track ball, Front plate (W x H): 78.0mm x 100.0mm
Interface	PS2, USB are available, Y type cable with ports of PS2 and USB	
Electrical	Power supply	2.5N ± 0.2N
	Protection level	IP65 dynamic (front panel), IK09
	EMC Standard	EN 55032:2015 , EN 55035:2017
	Power consuming	≤1.00W(dynamic)
		≤0.2W(static)
Contact Material	sealed stainless steel buttons	
Environmental	Operating temperature	-20°C~+ 65° C
	Storage temperature	- 30°C~+ 75°C





KEY TECHNOLOGY (CHINA) LIMITED

深圳市键特电子有限公司



Head Office: B703, Building 1, Tianan Cyber Park, Huang Ge North Road, Longcheng Subdistrict, Long Gang District, ShenZhen, Guang Dong, P.R. China
 Factory ADD.: Floor 7, Building S8, Fenggang Tianan Cyber Park, No. 208 Fenggang Section, Dongshen Road, Fenggang Town, DongGuan, Guang Dong, P.R. China

Tel: +86 755 89239859, 89230460, 85232807

Fax: +86 755 89312576

E-mail: info@key-tek.cn, sales01@key-tek.cn

Website: www.key-tek.cn, www.rugged-key.com

	Operating RH	30~90%
	Atmospheric pressure	60~106Kpa.
Reliable	Certificates	RoHS compliant, CE and FCC certified, ESD
	MTBF	>20000H
	MTTR	< 30min
OS	All Windows, Linux, Unix, Mac OSX, Vxworks, Android, (U-cos--To be confirmed).	
Packing Details	Each unit to a suitable brown box, suitable brown boxes to a standard export carton.	
Application	Industrial, coal and mine, medical, bank kiosk and self service terminal, public access, explosion-proof automation, oil and gas etc.	

