



- 57 mm ball
- no sealing
- professional office use

## DESKTOP OFFICE TRACKBALL

The R55 is a professional desktop trackball. This trackball is designed for comfort over prolonged periods of use. Constructed from high impact plastic and featuring robust mechanics, it is ideally suited for use where reliability and an extensive live span are prerequisites. The unit is directly connectable to any PC USB mouse port or to a PS/2 port via the supplied USB to PS/2 adaptor. No special device driver is required.

### MECHANICAL SPECIFICATIONS

Sealing	: none, IP40
Enclosure material	: ABS
Enclosure colour	: Pearl White
Ball material	: Phenolic Resin, black colour
Ball diameter	: 57,2 mm., 2 <sup>1/4</sup> "
Dimensions	: 115 x 200 x 70 mm
Weight	: 650 grams
Tracking force	: nom. 30 grams
Resolution	: 200 pulses per ball revolution
Lifetime - Ball revolutions	: >= 6 million
Lifetime - Switches	: >= 5 million actuations / switch
Standard output connector	: 2-meter screened lead to USB type A
Converter	: USB to PS/2
Storage temperature	: -20°C to +80°C
Operating temperature	: 0°C to +55°C
Relative humidity	: 95% non-condensing
Vibration	: 5G, 5-2KHz any plane

### CONNECTIVITY

The R55-163330 is directly connectable to a USB or a PS/2 mouse port (via USB to PS/2 adaptor). No special device driver is required.

*\* Due to the increasing differences of the mouse port specifications of the various PC manufacturers, we do recommend that this unit should be tested on the final PC configuration and operating system prior to installing it in series.*

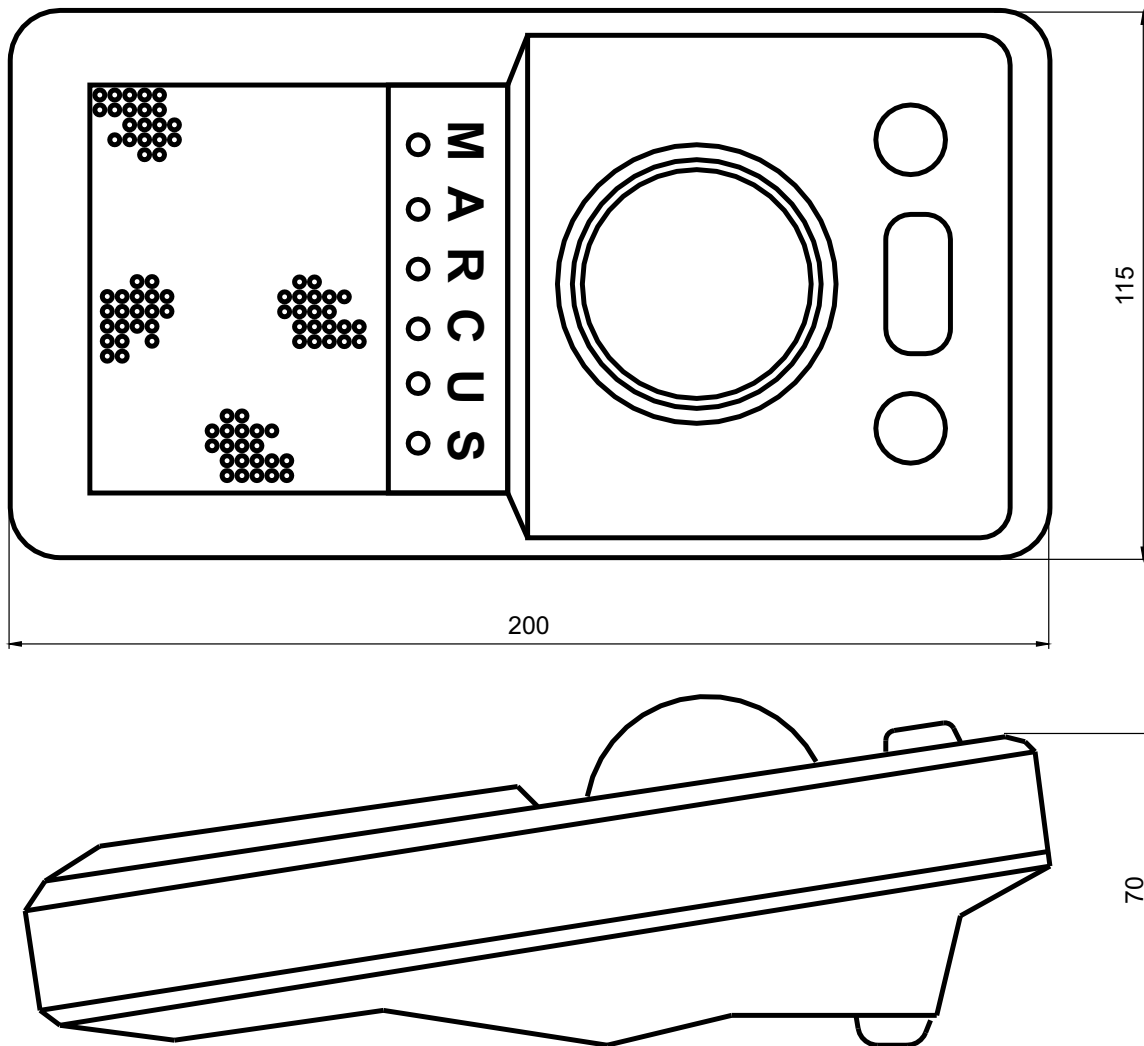
### ORDER INFO

Desktop trackball

**R55-163330**

Output : PS/2 &amp; USB Combo

## DIMENSIONAL DRAWING



Dim in mm.