

**Product features:**

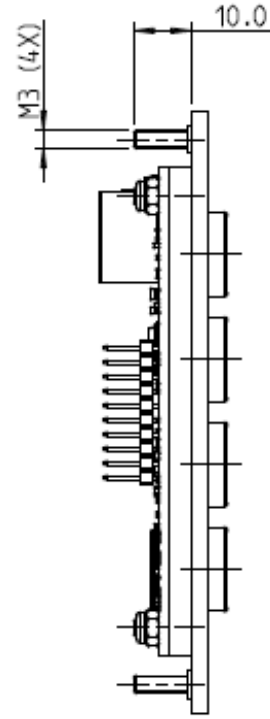
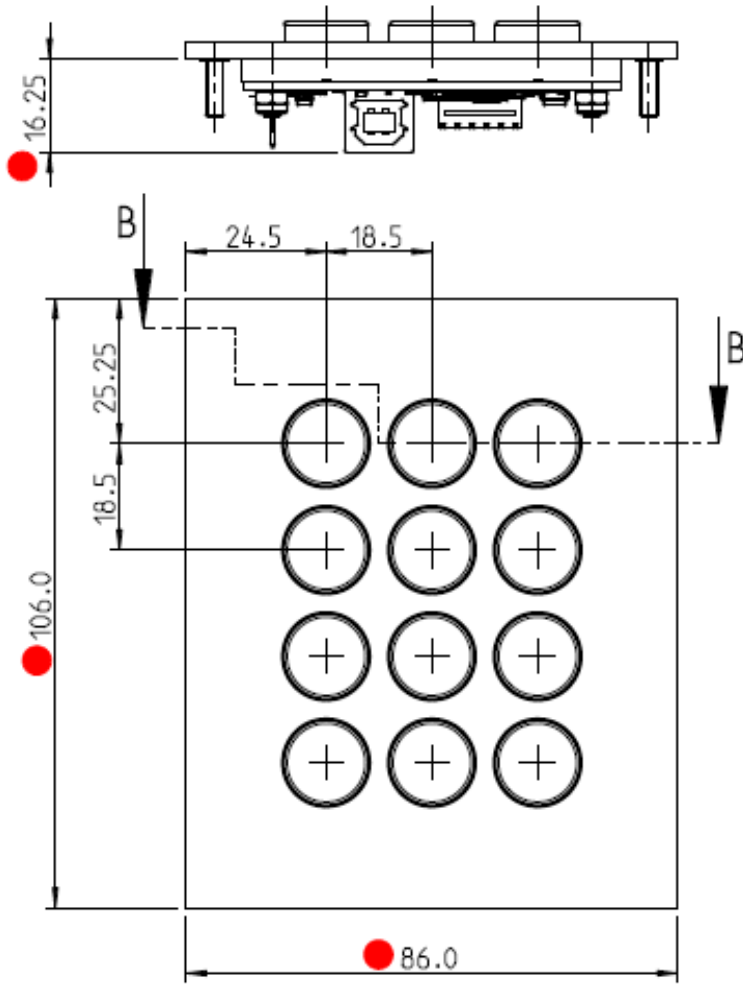
- Especially suitable for industrial applications
- Carbon contact technology
- Completely in stainless steel 1.4301 (keys, front panel with 3 mm strength)
- Front panel mounting
- Vandalism protected
- Laser labeling
- Interface: USB or PS2

Mechanical features:

- Full travel keys with 3.25 mm operating stroke with tactile feedback
- Operation force 0,65N
- 12 keys, 19mm grid
- Durability > 10 millions ops.
- Storage temperature -40°C - + 70°C
- Operation temperature 0°C - +60°C (optional -20°C - +60°C)
- Protection IP 65

Layout: T1





B-B

