

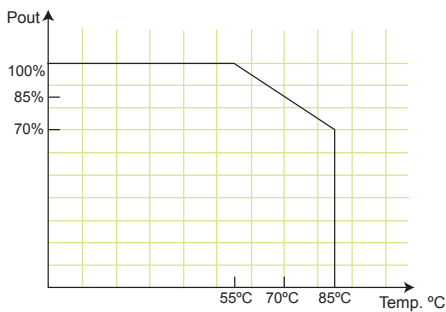
# IDD-930160-KIT

60 W DC/DC Converter Module for AFOLUX Panel PC and Monitor

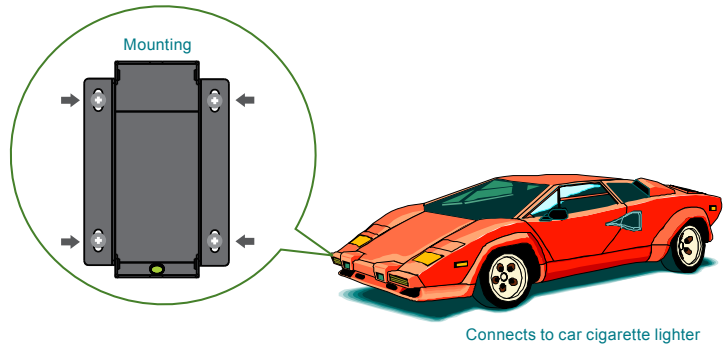


## Specifications

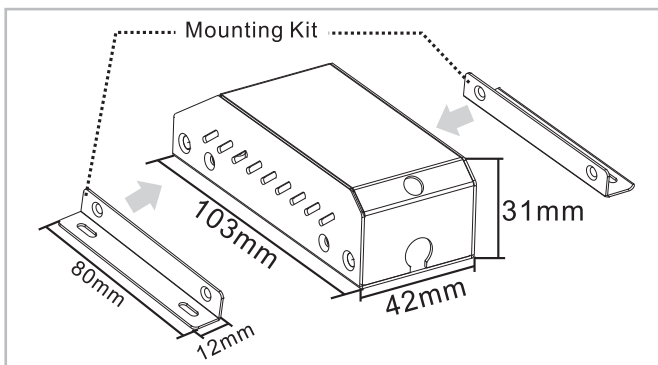
- Input voltage: 9-30 VDC
- Input current: Max. 8.2 A at 9 VDC
- Output: 12 V@5 A
- Max. total output: 60W
- Performance characteristics:  
Noise and ripple: <120 mV  
Line regulation: <2.5%  
Load regulation: <2.5%
- Transient toggle rate: 250 Hz (50% duty ratio)
- Transient current step:  
From 0% to 50% and 50% to 100% of max. current
- Efficiency: typ. 95% (Vin=12 V, 80% of full load)
- Dimensions (mm): 42 x 103 x 31
- Mounting kit: 12 mm x 80 mm
- Cable length: 180 cm
- Operating temperature: -10°C ~ 55°C
- Load down protection



## Typical Applications



## Dimensions (Unit: mm)



## Packing Information

- 1 x IDD-930160-KIT-R20
- 1 x Mounting kit
- 1 x Screw kit
- 1 x Anti-slip strip
- 1 x Utility CD

## Ordering Information

Part No.	Description
IDD-930160-KIT-R20	60 W DC/DC 9-30 VDC input vehicle power adapter