

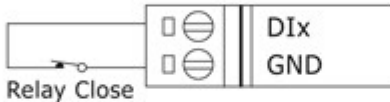
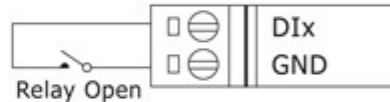
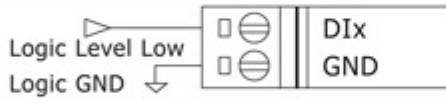

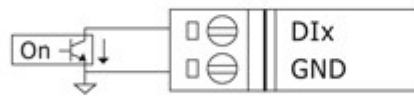
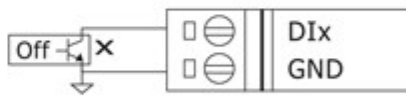

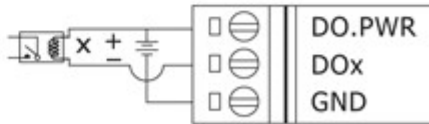


XW304 Wire Connection

Voltage Input Wire Connection	
Input Type	

Voltage Output Wire Connection	
Output Type	

Digital Input Wire Connection		
Input Type	DI Value as 0	DI Value as 1
	Relay On	Relay Off
Relay Contact		
	Voltage < 1V	Voltage > 3.5V
TTL/CMOS Logic		
	Open Collector On	Open Collector Off
Open Collector		

Digital Output Wire Connection		
Output Type	DO Command as 1	DO Command as 0
	Relay ON	Relay Off
Drive Relay		
	Resistance Load	Resistance Load
Resistance Load	