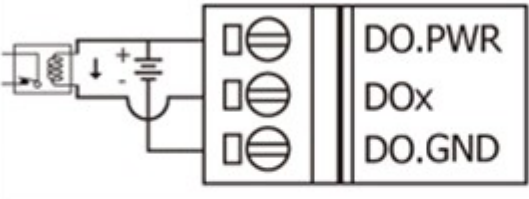
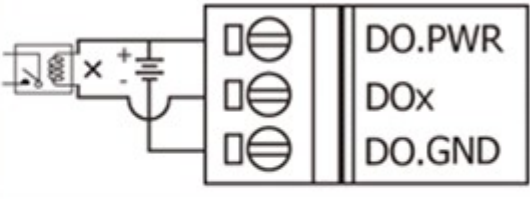


Output Type	DO Command as 1	DO Command as 0
Drive Relay	Relay ON	Relay Off
		
Resistance Load	