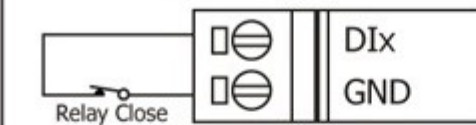
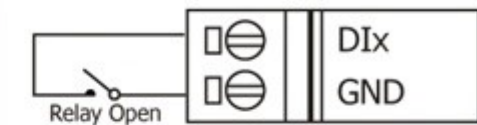
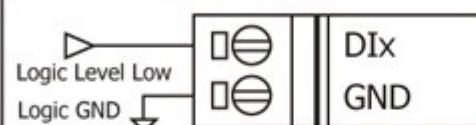
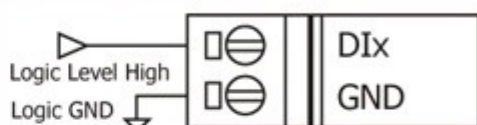
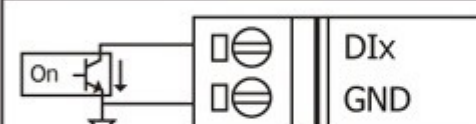
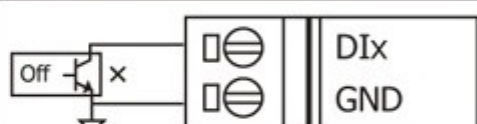
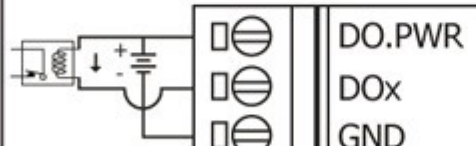
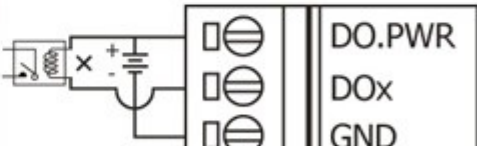


Input Type	DI Value as 0	DI Value as 1
Relay Contact	Relay ON	Relay Off
		
TTL/CMOS Logic	Voltage < 1V	Voltage > 3.5V
		
Open Collector	Open Collector On	Open Collector Off
		

Output Type	DO Command as 1	DO Command as 0
Drive Relay	Relay ON	Relay Off
		
Resistance Load		
	