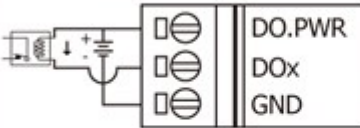
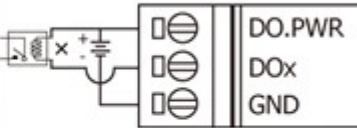


Output Type	DO Command as 1	DO Command as 0
	Relay ON	Relay Off
Drive Relay		
Resistance Load	