

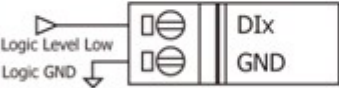
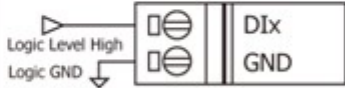



Input Type	DI Value as 0	DI Value as 1
Relay Contact	Relay ON 	Relay Off 
	TTL/CMOS Logic Voltage < 1V 	TTL/CMOS Logic Voltage > 3.5V 
Open Collector	Open Collector On 	Open Collector Off 