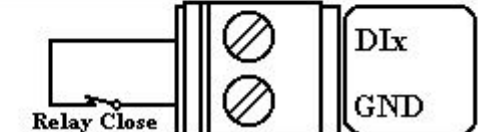
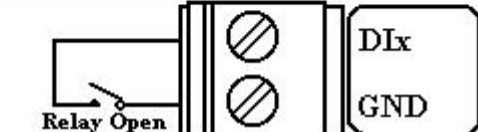
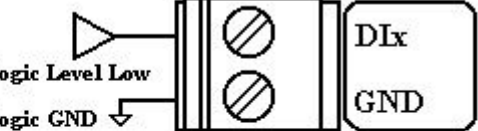
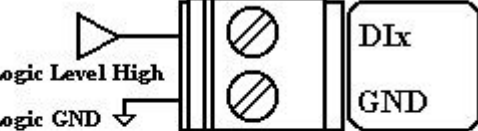
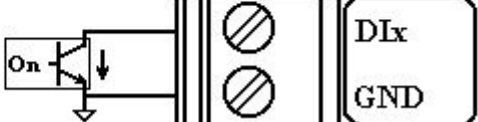
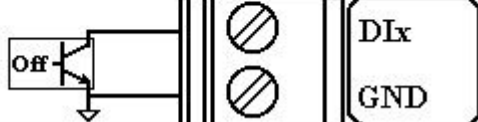


Digital Input Wire Connection

Input Type	ON State DI value as 0	OFF State DI value as 1
Relay Contact	 <p>Relay Close</p>	 <p>Relay Open</p>
TTL/CMOS Logic	 <p>Logic Level Low</p> <p>Logic GND</p>	 <p>Logic Level High</p> <p>Logic GND</p>
Open Collector	 <p>On</p>	 <p>Off</p>