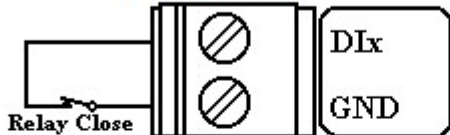
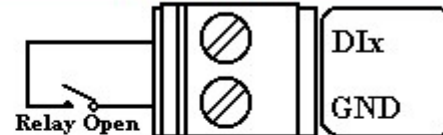
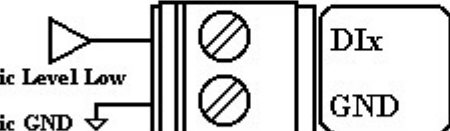
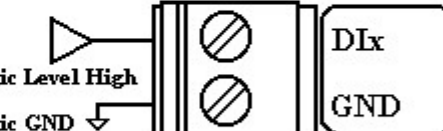
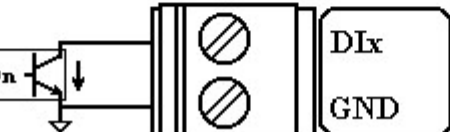
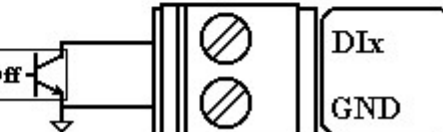


Input Type	ON State DI value as 0	OFF State DI value as 1
Relay Contact	 <p>Relay Close</p>	 <p>Relay Open</p>
TTL/CMOS Logic	 <p>Logic Level Low Logic GND ↓</p>	 <p>Logic Level High Logic GND ↓</p>
Open Collector	 <p>On</p>	 <p>Off</p>