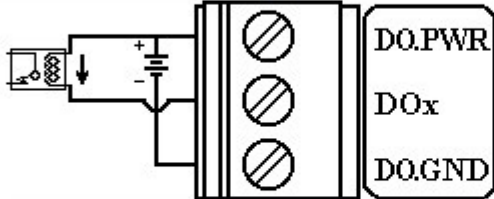
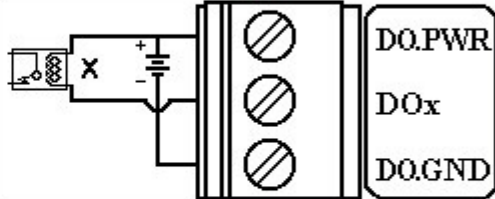


Wiring

Output Type	ON State LED ON Readback as 1	OFF State LED OFF Readback as 0
Drive Relay	<p style="text-align: center;">ON</p> 	<p style="text-align: center;">OFF</p> 
Resistance Load	