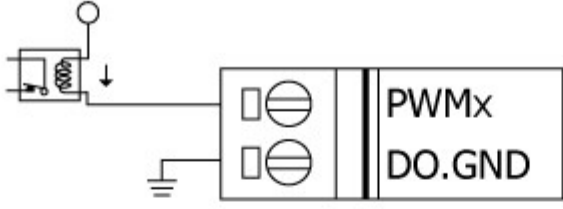
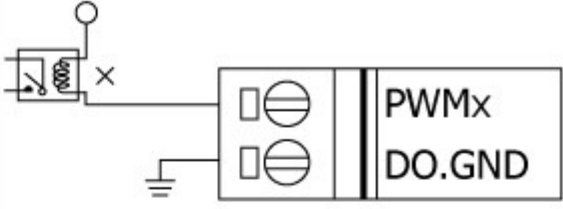
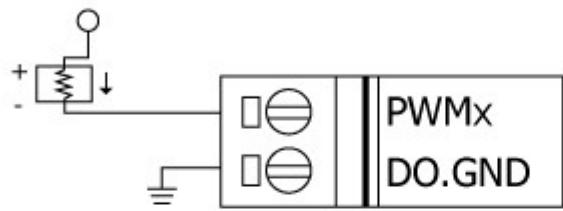
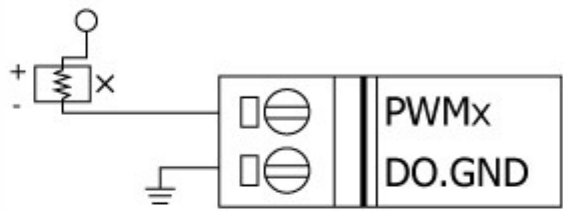
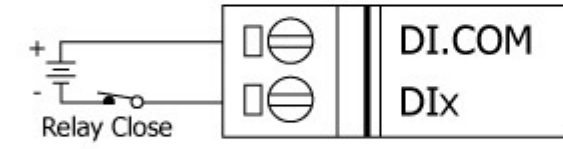
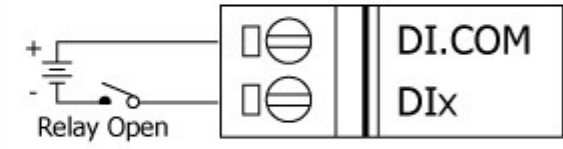
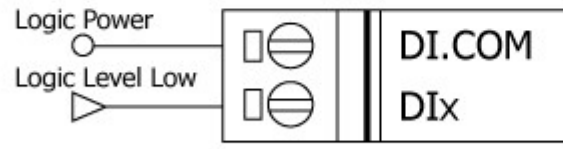
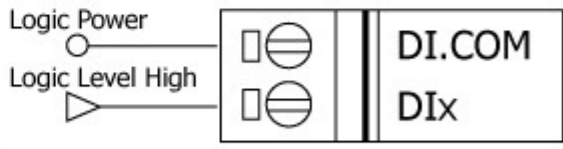
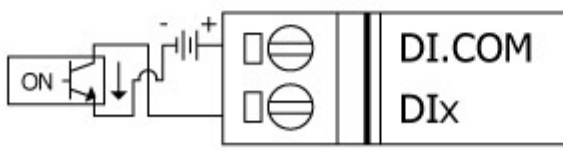
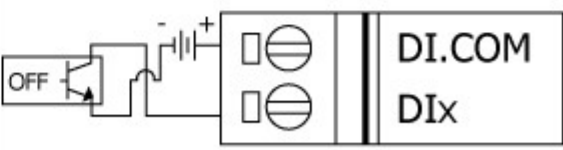
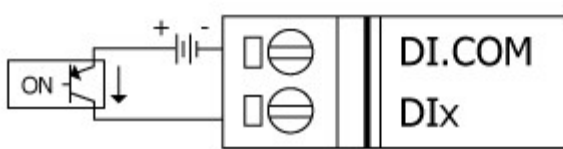


Output Type	ON State LED ON Readback as 1	OFF State LED OFF Readback as 0
Drive Relay	Relay ON 	Relay Off 
	Resistance Load 	Resistance Load 

Input Type	ON State LED ON Readback as 0	OFF State LED OFF Readback as 1
Relay Contact	Relay ON 	Relay Off 
	TTL/CMOS Logic Voltage > 5V 	TTL/CMOS Logic Voltage < 0.8V 
NPN Output	Open Collector On 	Open Collector Off 
	PNP Output Open Collector On 	PNP Output Open Collector Off 