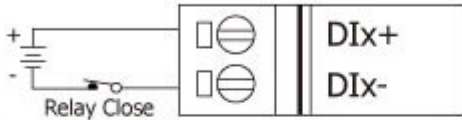
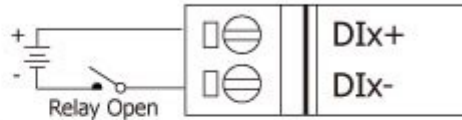
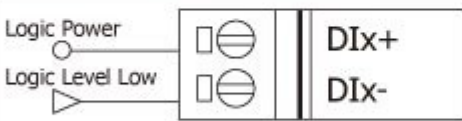
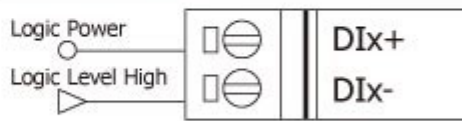
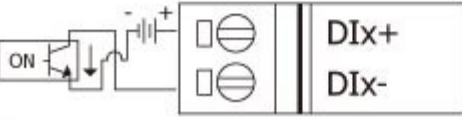


Input Type	ON State LED ON Readback as 0	OFF State LED OFF Readback as 1
Relay Contact	Relay ON 	Relay Off 
	Voltage > 10V 	Voltage < 4V 
Open Collector	Open Collector On 	Open Collector Off 