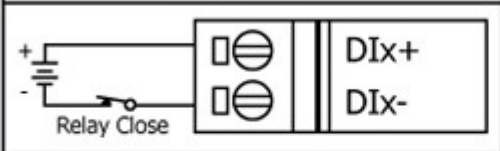
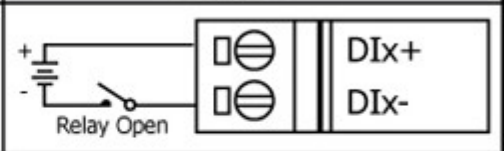
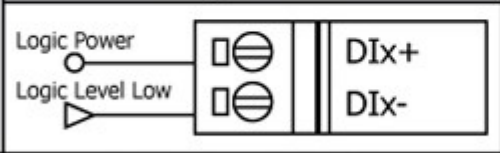
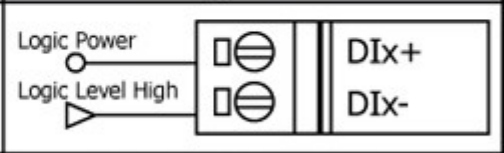


Input Type	ON State LED ON Readback as 0	OFF State LED OFF Readback as 1
Relay Contact	Relay ON	Relay Off
		
TTL/CMOS Logic	Voltage > 3.5V	Voltage < 1V
		
Open Collector	Open Collector On	Open Collector Off
	