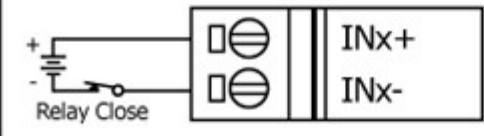
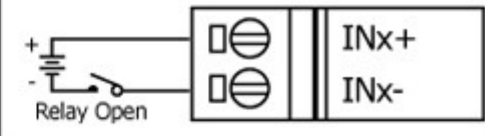
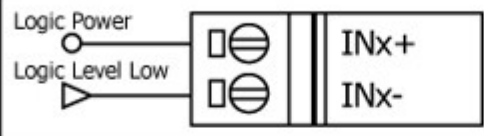
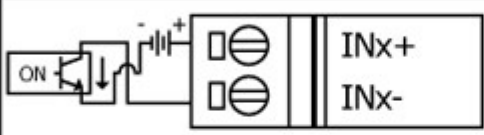
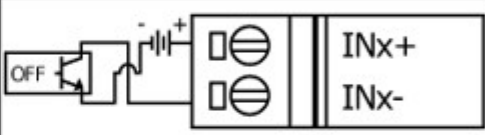
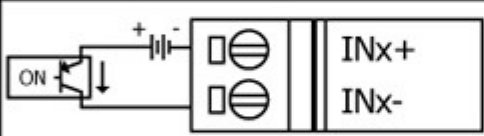
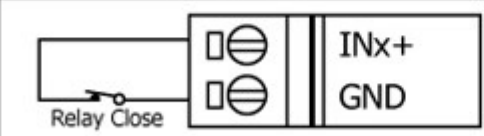
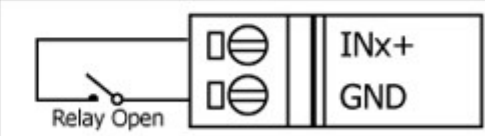
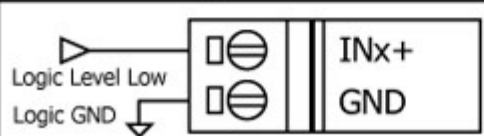
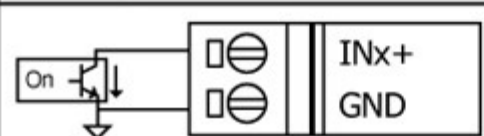


Isolated		
Input Type	ON State LED ON Readback as 0	OFF State LED OFF Readback as 1
Relay Contact	Relay ON 	Relay Off 
	TTL/CMOS Logic	Voltage > 4V 
NPN Output	Open Collector On 	Open Collector Off 
	PNP Output	Open Collector On 

Non-Isolated		
Input Type	ON State LED ON Readback as 0	OFF State LED OFF Readback as 1
Relay Contact	Relay ON 	Relay Off 
	TTL/CMOS Logic	Voltage < 0.8V 
Open Collector	Open Collector On 	Open Collector Off 