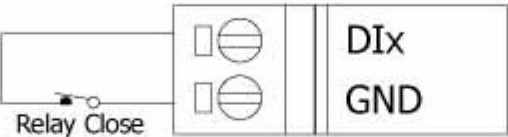
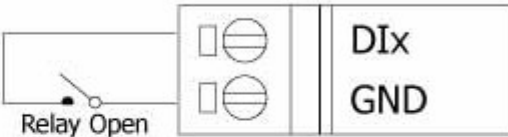
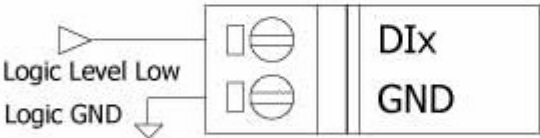
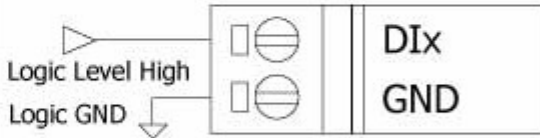


Input Type	On State, LED On Readback as 1	Off State, LED Off Readback as 0
Relay Contact	Relay On	Relay Off
		
TTL/CMOS Logic	Voltage < 1V	Voltage > 3.5V
		
Open Collector	Open Collector On	Open Collector Off
	