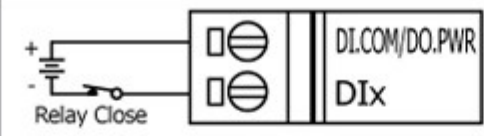
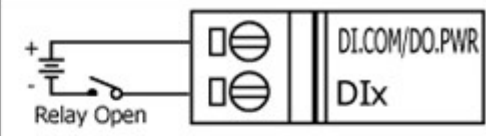
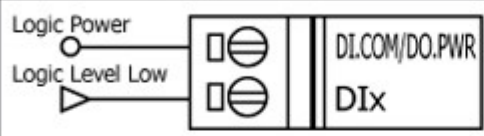
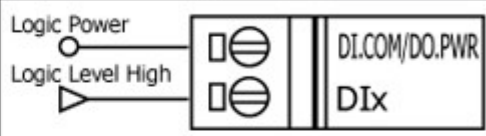
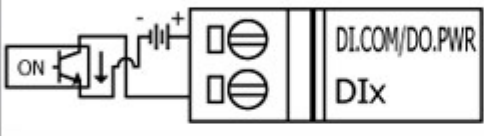
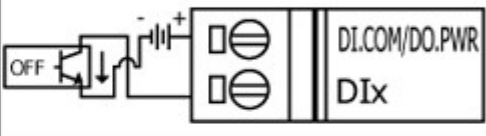
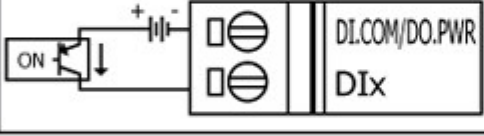
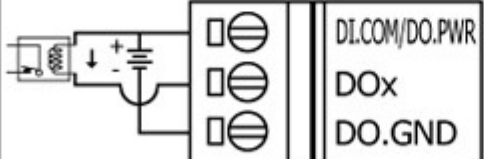
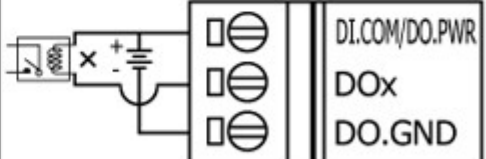


Input Type	ON State LED ON Readback as 0	OFF State LED OFF Readback as 1
Relay Contact	Relay ON 	Relay Off 
	Voltage > 3.5V 	Voltage < 1V 
NPN Output	Open Collector On 	Open Collector Off 
	PNP Output	Open Collector On 
Output Type	ON State LED ON Readback as 1	OFF State LED OFF Readback as 0
Drive Relay	Relay ON 	Relay Off 
	Resistance Load	