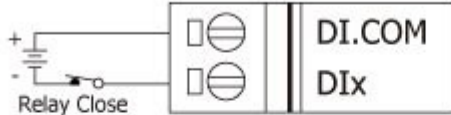

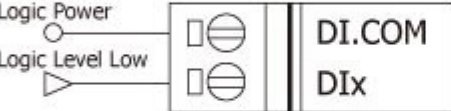

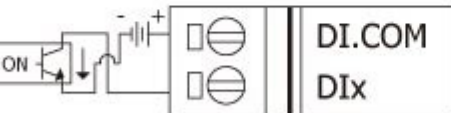



Input Type	ON State LED ON Readback as 0	OFF State LED OFF Readback as 1
Relay Contact	Relay ON	Relay Off
		
TTL/CMOS Logic	Voltage > 19V	Voltage < 11V
		
NPN Output	Open Collector On	Open Collector Off
		
PNP Output	Open Collector On	Open Collector Off
	