

# **M-7002 User Manual**

ICP DAS CO., LTD.  
Revision: 1.1  
2014/09/01

# Table of Contents

1.	Introduction .....	5
1.1.	Pin Assignments .....	6
1.2.	Specifications .....	7
1.3.	Block Diagram .....	9
1.4.	Application Wiring .....	10
1.5.	Default Settings .....	11
1.6.	Calibration .....	12
1.6.1	Analog Input .....	12
1.7.	Configuration Tables .....	13
1.8.	M-7000 Notes .....	16
1.8.1	Protocol Switching .....	16
1.8.2	INIT Mode .....	17
2.	DCON Protocol .....	18
2.1.	%AANNTTCCFF .....	22
2.2.	#** .....	24
2.3.	#AA .....	26
2.4.	#AAN .....	28
2.5.	\$AA0 .....	30
2.6.	\$AA1 .....	32
2.7.	\$AA2 .....	34
2.8.	\$AA4 .....	36
2.9.	\$AA5 .....	38
2.10.	\$AA5VV .....	40
2.11.	\$AA6 .....	42
2.12.	\$AA7CiRrr .....	44
2.13.	\$AA8Ci .....	46
2.14.	\$AAC .....	48
2.15.	\$AAF .....	49
2.16.	\$AAI .....	50
2.17.	\$AALS .....	52
2.18.	\$AAM .....	54
2.19.	\$AAP .....	55
2.20.	\$AAPN .....	57
2.21.	\$AAS1 .....	59
2.22.	~** .....	61
2.23.	~AA0 .....	62
2.24.	~AA1 .....	64
2.25.	~AA2 .....	66
2.26.	~AA3EVV .....	68
2.27.	~AA4 .....	70
2.28.	~AA5PPSS .....	72

2.29. ~AAD	74
2.30. ~AADVV	76
2.31. ~AAEV	78
2.32. ~AAI	80
2.33. ~AAO(Data)	82
2.34. ~AARD	84
2.35. ~AARDTT	86
2.36. ~AATnn	88
2.37. @AACECi	90
2.38. @AACH	92
2.39. @AACHi	94
2.40. @AACHCi	96
2.41. @AACL	98
2.42. @AACLi	100
2.43. @AACLCi	102
2.44. @AADA	104
2.45. @AADI	106
2.46. @AADODD	108
2.47. @AAEAt	110
2.48. @AAHI(Data)Ci	112
2.49. @AALO(Data)Ci	114
2.50. @AARAO	116
2.51. @AARECi	118
2.52. @AARH	120
2.53. @AARHi	122
2.54. @AARHCi	124
2.55. @AARL	126
2.56. @AARLi	128
2.57. @AARLCi	130
3. Modbus RTU Protocol	132
3.1. Function 02 (0x02)-Read the Digital Input Status	133
3.2. Function 04 (0x04)-Read the Analog Input Channels	134
3.3. Function 05 (0x05)-Write a Single Digital Output	135
3.4. Function 70 (0x46)-Read/Write Module Settings	136
3.4.1 Sub-function 00 (0x00)-Read the name of the module	137
3.4.2 Sub-function 04 (0x04)-Set the module address	138
3.4.3 Sub-function 05 (0x05)-Read the communication settings	139
3.4.4 Sub-function 06 (0x06)-Set the communication settings	140
3.4.5 Sub-function 07 (0x07)-Read the type code	141
3.4.6 Sub-function 08 (0x08)-Set the type code	142
3.4.7 Sub-function 32 (0x20)-Read the firmware version information	143

3.4.8	Sub-function 37 (0x25)-Read the channel enabled/disabled status .....	144
3.4.9	Sub-function 38 (0x26)-Set the channel to either enabled or disabled.....	145
3.4.10	Sub-function 41 (0x29)-Read the miscellaneous settings .....	146
3.4.11	Sub-function 42 (0x2A)-Write the miscellaneous settings .....	147
3.5.	Address Mappings .....	148
3.6.	Engineering Data Format Table.....	151
4.	Troubleshooting.....	152
4.1.	Communicating with the module .....	152
4.2.	Reading Data.....	153
5.	Appendix .....	154
5.1.	INIT Mode .....	154
5.2.	Dual Watchdog Operation .....	156
5.3.	Frame Ground.....	157
5.4.	Node Information Area.....	159
5.5.	Reset Status.....	160

# 1. Introduction

## Features

- Voltage or Current Input
- +/-240 Vrms Overvoltage Protection
- High Resolution: 16-bit
- 2500 V<sub>DC</sub> Intra-module Isolation
- Sink and Source Type Digital Inputs
- Photocoupler Isolation
- Supports Relay Outputs
- DIN-Rail Mountable
- Dual Watchdog
- Wide Operating Temperature Range: -25 ~ +75°C

## Applications

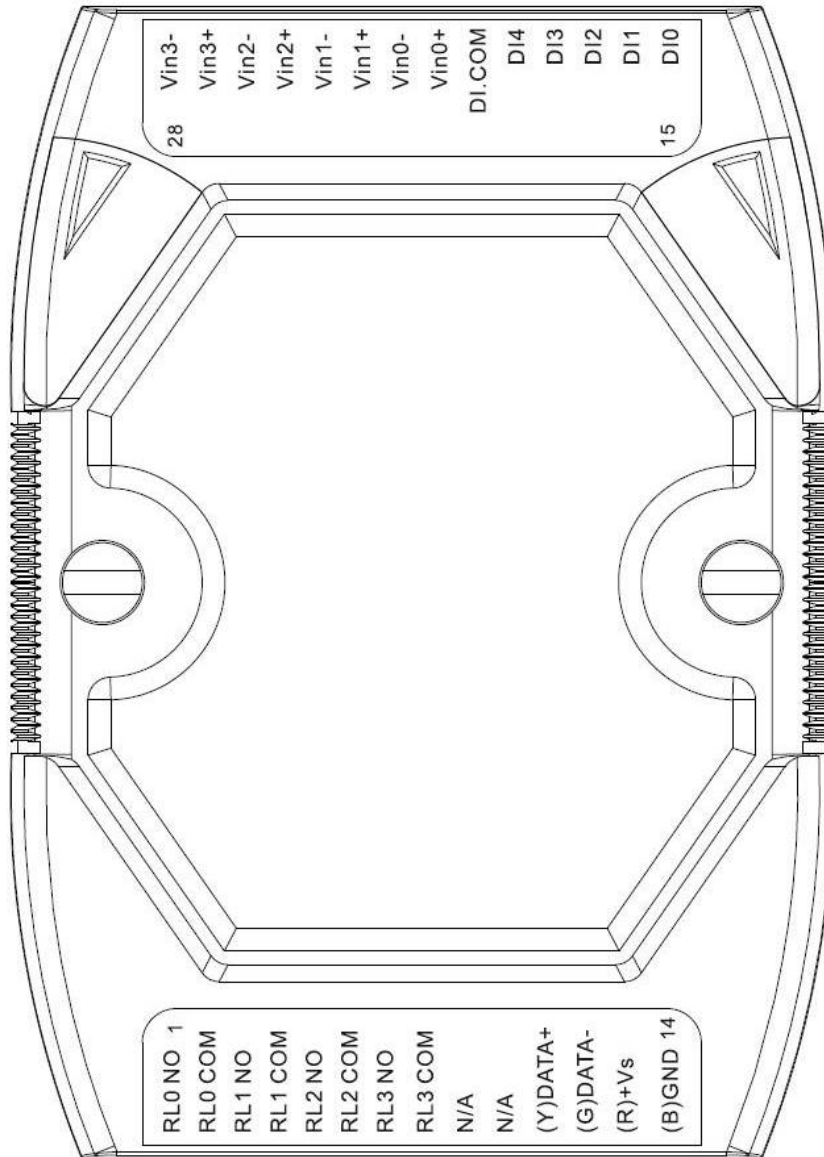
- Building Automation
- Factory Automation
- Machine Automation
- Remote Maintenance
- Remote Diagnosis
- Testing Equipment

## More Information

Refer to Chapter 1 of the “I-7000 Bus Converter User Manual” for more information regarding the following:

- |  |
|--|
| <ul style="list-style-type: none"><li>1.1. I-7000 Overview</li><li>1.2. I-7000 Related Documentation</li><li>1.3. I-7000 Common Features</li><li>1.4. I-7000 System Network Configuration</li><li>1.5. I-7000 Dimensions</li></ul> |
|--|

# 1.1. Pin Assignments



## 1.2. Specifications

### System Specifications

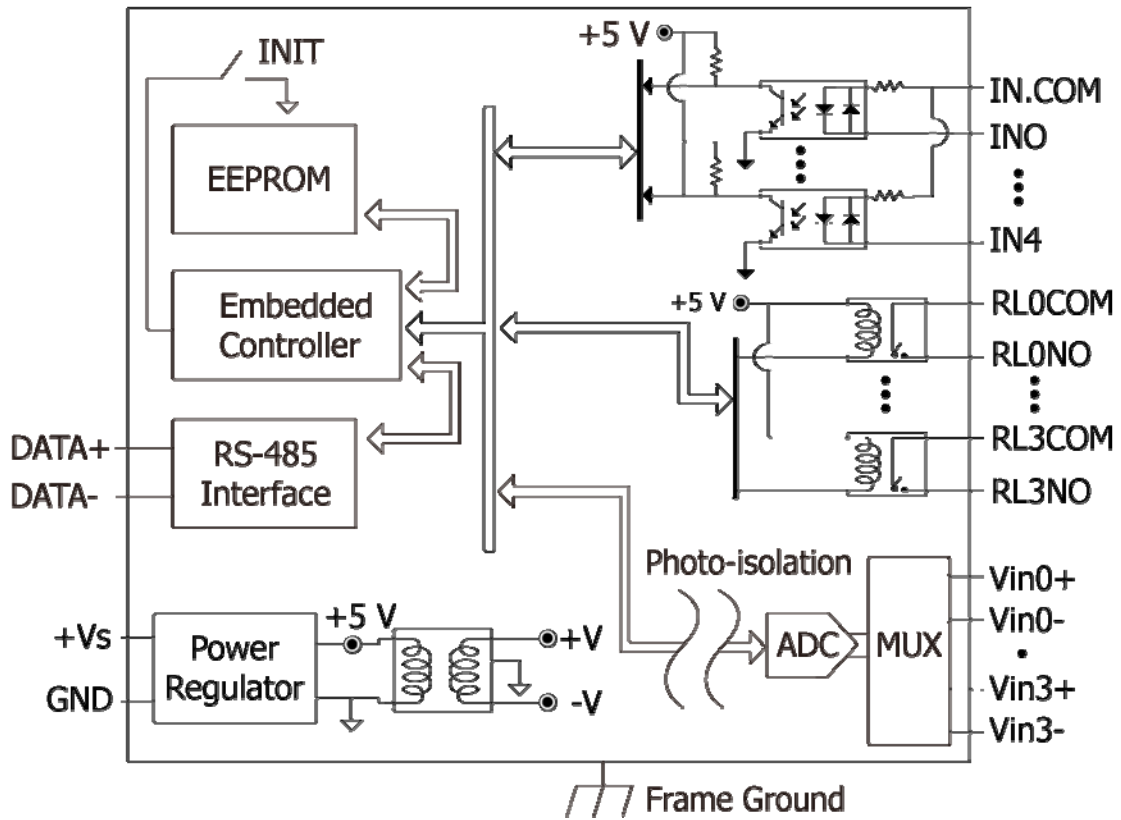
<b>Communication</b>	
Interface	RS-485
Format	N, 8, 1
Baud Rate	1200 ~ 115200 bps
Protocol	DCON / Modbus RTU
Dual Watchdog	Yes, Module (1.6 Seconds), Communication (Programmable)
<b>LED Indicator/Display</b>	
System LED Indicator	Yes, 1 LED as Power/Communication Indicator
I/O LED Indicator	-
7-Segment LED Display	-
<b>Isolation</b>	
Intra-Module Isolation, Field-to-Logic	2500 V <sub>DC</sub>
<b>EMS Protection</b>	
ESD (IEC 61000-4-2)	+/-4 kV
EFT (IEC 61000-4-4)	+/-4 kV
Surge (IEC 61000-4-5)	+/-3 kV
<b>Power</b>	
Reverse Polarity Protection	Yes
Input Voltage Range	10 ~ 30 V <sub>DC</sub>
Consumption	1.8 W
<b>Mechanical</b>	
Dimensions (W x L x H)	72 mm x 123 mm x 35 mm
Installation	DIN-Rail or Wall Mounting
<b>Environment</b>	
Operating Temperature	-25 ~ +75°C
Storage Temperature	-40 ~ +85°C
Humidity	10 ~ 95% RH, Non-condensing

## I/O Specifications

<b>Analog Input</b>		
Channels		4
Wiring		Differential
Input Range		+/-150 mV, +/-500 mV, +/-1 V, +/-5 V, +/-10 V +/-20 mA, 0~20 mA, 4~20 mA (jumper selectable)
Resolution		12/16-bit
Accuracy	Normal Mode	0.1%
	Fast Mode	0.5%
Sampling Rate	Normal Mode	10 Hz
	Fast Mode	60 Hz
Input Impedance	Voltage	2 M $\Omega$
	Current	139 $\Omega$
Common Voltage Protection		+/-200 V <sub>DC</sub>
Individual Channel Configuration		Yes
Overcurrent Protection		50 mA max. at 110 V <sub>DC</sub> /V <sub>AC</sub> max.
Overvoltage Protection		240 V <sub>rms</sub>
<b>Digital Input/Counter</b>		
Channels		5
Contact		Wet
Sink/Source (NPN/PNP)		Sink/Source
On Voltage Level		10 ~ 50 V <sub>DC</sub>
Off Voltage Level		+4 V <sub>DC</sub> Max.
Counter (50 Hz, 16-bit)		Yes
Input Impedance		10 k $\Omega$
Overvoltage Protection		+/-70 V <sub>DC</sub>
Isolation Voltage		3750 V <sub>DC</sub>
<b>Relay Output</b>		
Channels		4
Type		Power Relay (Form A)
Contact Rating		5 A @ 250 V <sub>AC</sub>
		5 A @ 30 V <sub>DC</sub>
Surge Strength		3000 V <sub>DC</sub>
Operation Time		6 ms
Release Time		3 ms
Mechanical Endurance		2 × 10 <sup>7</sup> ops.
Electrical Endurance		10 <sup>5</sup> ops.
Power-on Values		Yes
Safe Values		Yes



### 1.3. Block Diagram



# 1.4. Application Wiring

Voltage Input Wire Connection	Current Input Wire Connection

Digital Input/Counter	Read back as 1	Read back as 0
	+10 ~ +50 V <sub>DC</sub>	OPEN or < 4 V
Sink		
	+10 ~ +50 V <sub>DC</sub>	OPEN or < 4 V
Source		

Power Relay	ON State Read back as 1	OFF State Read back as 0
	Relay On	Relay Off
Relay Output		

## 1.5. Default Settings

The default settings for the M-7002 are:

- Module address: 01
- Analog input type: Type 08, -10V to 10V
- Protocol: Modbus protocol
- Baud Rate: 9600 bps
- Checksum disabled
- Engineering units format
- Filter set at 60Hz rejection

## 1.6. Calibration

**Warning:** *It is not recommended that calibration be performed until the process is fully understood.*

### 1.6.1 Analog Input

The calibration procedure is as follows:

1. Warm up the module for 30 minutes.
2. Set the type code to the type you want to calibrate.  
Refer to Section 2.12 for details.
3. Enable calibration. Refer to Section 2.31 for details.
4. Apply the zero calibration voltage/current.
5. Send the “zero calibration” command. Refer to Section 2.6 for details.
6. Apply the span calibration voltage/current.
7. Send the “span calibration” command. Refer to Section 2.5 for details.
8. Repeat steps 3 to 7 three times.

#### Notes:

1. Connect the calibration voltage/current to channel 0.
2. When calibrating type 0D, the jumper for channel 0 should be set to the “current input” position.
3. Calibration voltages and currents are shown below.

Calibration voltage/current:

Type Code	08	09	0A	0B	0C	0D
Zero Input	0 V	0 V	0 V	0 mV	0 mV	0 mA
Span Input	+10 V	+5 V	+1 V	+500 mV	+150 mV	+20 mA

## 1.7. Configuration Tables

### Baud Rate Settings (CC)

Bits 5:0

Code	03	04	05	06	07	08	09	0A
Baud Rate	1200	2400	4800	9600	19200	38400	57600	115200

Bits 7:6

- 00: no parity, 1 stop bit
- 01: no parity, 2 stop bits
- 10: even parity, 1 stop bit
- 11: odd parity, 1 stop bit

### Analog Input Type Settings (TT)

Type Code	Analog Input Type	Range
07	+4 ~ +20 mA	+4 mA ~ +20 mA
08	+/-10 V	-10 V ~ +10 V
09	+/-5 V	-5 V ~ +5 V
0A	+/-1 V	-1 V ~ +1 V
0B	+/-500 mV	-500mV ~ +500 mV
0C	+/-150 mV	-150 mV ~ +150 mV
0D	+/-20 mA	-20 mA ~ +20 mA
1A	0 ~ +20 mA	0 ~ +20 mA

**Note:**

When types 07, 0D or 1A are selected, the jumper for the corresponding channel should be set to the “current input” position.

## Data Format Settings (FF)

7	6	5	4	3	2	1	0
FS	CS	MS	Reserved			DF	

Key	Description
DF	Data format 00: Engineering units 01: % of FSR (full scale range) 10: 2's complement hexadecimal
MS	Mode settings 0: Normal mode (16 bits) 1: Fast mode (12 bits)
CS	Checksum settings 0: Disabled 1: Enabled
FS	Filter settings 0: 60Hz rejection 1: 50Hz rejection

**Note:** Reserved bits should be zero.

## Analog Input Type and Data Format Table

Type code	Input Type	Data Format	+F.S	-F.S.
07	+4 to +20 mA	Engineering units	+20.000	+04.000
		% of FSR	+100.00	+000.00
		2's comp HEX	FFFF	0000
08	-10 to +10 V	Engineering units	+10.000	-10.000
		% of FSR	+100.00	-100.00
		2's comp HEX	7FFF	8000
09	-5 to +5 V	Engineering units	+5.0000	-5.0000
		% of FSR	+100.00	-100.00
		2's comp HEX	7FFF	8000
0A	-1 to +1 V	Engineering units	+1.0000	-1.0000
		% of FSR	+100.00	-100.00
		2's comp HEX	7FFF	8000
0B	-500 to +500 mV	Engineering units	+500.00	-500.00
		% of FSR	+100.00	-100.00
		2's comp HEX	7FFF	8000
0C	-150 to +150 mV	Engineering units	+150.00	-150.00
		% of FSR	+100.00	-100.00
		2's comp HEX	7FFF	8000
0D	-20 to +20 mA	Engineering units	+20.000	-20.000
		% of FSR	+100.00	-100.00
		2's comp HEX	7FFF	8000
		2's comp HEX	7FFF	A99A
1A	0 to +20 mA	Engineering units	+20.000	+00.000
		% of FSR	+100.00	+000.00
		2's comp HEX	FFFF	0000

## 1.8. M-7000 Notes

The main difference between the I-7000 and M-7000 series is that the M-7000 series has additional support for the Modbus RTU communication protocol, which is the default protocol of the M-7000 series. The communication Baud Rates for the Modbus RTU protocol can be in the range of 1200 bps to 115200 bps, and the parity, data and stop bits are fixed as no parity, 8 data bits and 1 stop bit.

Modbus functions supported by the module are described in Chapter 3.

### 1.8.1 Protocol Switching

To switch to the DCON protocol:

1. Uses sub-function 06h of the function 46h and set byte 8 to a value of 1. See Section 3.4.4 for details.
2. After a power-on reset, the communication protocol will be changed to DCON.

To switch to the Modbus RTU protocol:

1. Sends the \$AAPN command and set N to a value of 1. Note that the slide switch on the rear side of the module should be set to INIT position, see the figure on the next page. See Section 2.19 for details.
2. After a power-on reset, the communication protocol will be changed to Modbus RTU protocol.

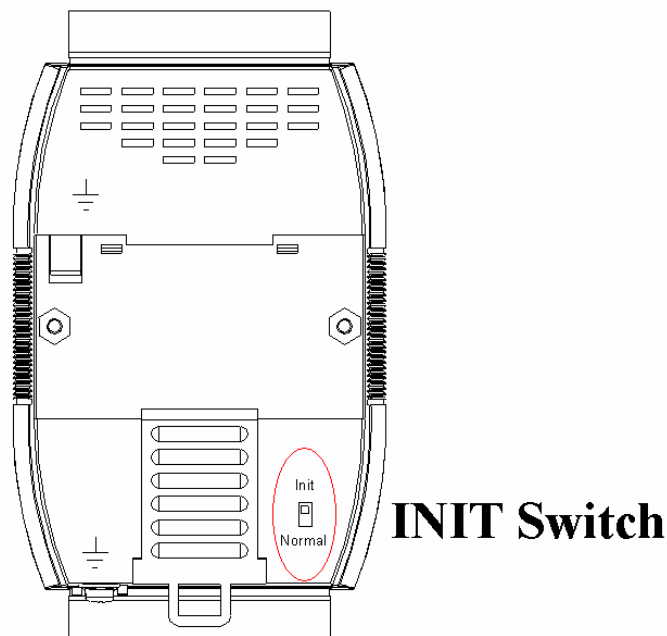


## 1.8.2 INIT Mode

When the module is powered on, with the rear slide switch set to INIT position as shown in the figure below, the module is in INIT mode (Section 5.1), and the communication settings are as follows:

1. Address: 00
2. Baud Rate: 9600 bps
3. No checksum
4. Protocol: DCON

If communication with the module is not possible, set the module to INIT mode and use the above settings to communicate with the module. To read the current settings, send the commands \$AA2 (Section 2.7), and \$AAPN (Section 2.19). The new communication settings will be effective after the next power-on reset.



## 2. DCON Protocol

All communication with the module consists of commands generated by the host and responses transmitted by the module. Each module has a unique ID number that is used for addressing purposes and is stored in non-volatile memory. The ID is 01 by default and can be changed by transmitting the appropriate using a user command. All commands to the modules contain the ID address, meaning that only the addressed module will respond. The only exception to this is command #\*\* (Section 2.2) and command ~\*\* (Section 2.22), which is sent to all modules, but, in these cases, the modules do not reply to the command.

### Command Format:

<b>Leading Character</b>	<b>Module Address</b>	<b>Command</b>	<b>[CHKSUM]</b>	<b>CR</b>
--------------------------	-----------------------	----------------	-----------------	-----------

### Response Format:

<b>Leading Character</b>	<b>Module Address</b>	<b>Data</b>	<b>[CHKSUM]</b>	<b>CR</b>
--------------------------	-----------------------	-------------	-----------------	-----------

**CHKSUM** A 2-character checksum that is present when the checksum setting is enabled. See Sections 2.1 and 5.1 for details.

**CR** End of command character, carriage return (0x0D)

## Checksum Calculation:

1. Calculate the ASCII code sum of all the characters in the command/response string, except for the carriage return character (CR).
2. The checksum is equal to the sum masked by 0FFh.

## Example:

Command string: \$012(CR)

1. The sum of the string = “\$”+”0”+”1”+”2” =  
 $24h+30h+31h+32h = B7h$
2. Therefore the checksum is B7h, and so  
CHKSUM = “B7”
3. The command string with the checksum = \$012B7(CR)

Response string: !01200600(CR)

1. The sum of the string =  
“!”+”0”+”1”+”2”+”0”+”0”+”6”+”0”+”0” =  
 $21h+30h+31h+32h+30h+30h+36h+30h+30h = 1AAh$
2. Therefore the checksum is AAh, and so  
CHKSUM = “AA”
3. The response string with the checksum  
= !01200600AA(CR)

## Note:

All characters should be in upper case.

General Command Sets			
Command	Response	Description	Section
%AANNTTCCFF	!AA	Sets the configuration of the module	2.1
\$AA2	!AANNTTCCFF	Reads the configuration of the module	2.7
\$AA5	!AAS	Reads the reset status of the module	2.9
\$AAC	!AA	Clears the DI/DO latches of the module	2.14
\$AAF	!AA(Data)	Reads the firmware version information	2.15
\$AAI	!AAS	Reads the status of the INIT switch	2.16
\$AALS	!(Data)	Reads the status of the DI and DO latches	2.17
\$AAM	!AA(Data)	Reads the name of the module	2.18
\$AAP	!AASC	Reads the communication protocol	2.19
\$AAPN	!AA	Sets the communication protocol	2.20
~AAD	!AAVV	Reads the miscellaneous settings	2.29
~AADVV	!AA	Sets the miscellaneous settings	2.30
~AAI	!AA	Sets the software INIT modification to enabled	2.32
~AAO(Data)	!AA	Sets the name of the module	2.33
~AARD	!AATT	Reads the response delay time	2.34
~AARDTT	!AA	Sets the response delay time	2.35
~AATnn	!AA	Sets the Software INIT timeout value	2.36
@AACECi	!AA	Clears the DI counter	2.37
@AADI	!AAOOII	Reads the status of the DO and DI channels	2.45
@AADODD	!AA	Sets the status of the DO channels	2.46
@AARECi	!AA	Reads the counter for a specific DI channel	2.51

Analog Input Command Sets			
Command	Response	Description	Section
#**	No Response	Synchronized sampling	2.2
#AA	>(Data)	Reads the analog inputs of all channels	2.3
#AAN	>(Data)	Reads the analog input of a specific channel	2.4
\$AA0	!AA	Performs an analog input span calibration	2.5
\$AA1	!AA	Performs an analog input zero calibration	2.6
\$AA4	>AAS(Data)	Reads the synchronized data	2.8
\$AA5VV	!AA	Enables/Disables the analog input channels	2.10
\$AA6	!AAVV	Reads the enabled/disabled status of all analog input channels	2.11
\$AA7CiRrr	!AA	Sets the type code for a specific channel	2.12
\$AA8Ci	!AACiRrr	Reads the type code for a specific channel	2.13

\$AAS1	!AA	Reloads the default calibration parameters	2.21
~AAEV	!AA	Enables/Disables the analog input calibration	2.31
@AACH	!AA	Clears the high latch value for all channels	2.38
@AACHi	!AA	Clears the high latch value for a specific channel	2.39
@AACHCi	!AA	Clears the status of the high alarm	2.40
@AACL	!AA	Clears the low latch value for all channels	2.41
@AACLi	!AA	Clears the low latch value for a specific channel	2.42
@AACLCi	!AA	Clears the status of the low alarm	2.43
@AADA	!AA	Disables the analog input alarm	2.44
@AAEAt	!AA	Enables the momentary/latch function	2.47
@AAHI(Data)Ci	!AA	Sets the analog input high alarm	2.48
@AALO(Data)Ci	!AA	Sets the analog input low alarm	2.49
@AARAO	!AAHLL	Reads the activated alarms associated with the DO channels of a module	2.50
@AARH	!AA(Data)	Reads the high latch value for all channels	2.52
@AARHi	!AA(Data)	Reads the high latch value for a specific channel	2.53
@AARHCi	!AA(Data)	Reads the status of the analog input high alarm	2.54
@AARL	!AA(Data)	Reads the low latch value for all channels	2.55
@AARLi	!AA(Data)	Reads the low latch value for a specific channel	2.56
@AARLCi	!AA(Data)	Reads the status of the analog input low alarm	2.57

<b>Host Watchdog Command Sets</b>			
<b>Command</b>	<b>Response</b>	<b>Description</b>	<b>Section</b>
~**	No Response	Informs all modules that host is OK	2.22
~AA0	!AASS	Reads the status of the Host Watchdog	2.23
~AA1	!AA	Resets the status of the Host Watchdog	2.24
~AA2	!AAEVV	Reads the Host Watchdog timeout settings	2.25
~AA3EVV	!AA	Sets the Host Watchdog timeout settings	2.26
~AA4	!AAPPSS	Reads the DO power-on value and the safe value	2.27
~AA5PPSS	!AA	Sets the DO power-on value and the safe value	2.28

---

## 2.1. %AANNTTCCFF

### Description:

This command is used to set the configuration for a specific module.

### Syntax:

**%AANNTTCCFF[CHKSUM](CR)**

<b>%</b>	Delimiter character
<b>AA</b>	The address of the module to be configured in hexadecimal format (00 to FF)
<b>NN</b>	The new address of the module in hexadecimal format (00 to FF)
<b>TT</b>	Not used by the M-7002 and should be set to 00.
<b>CC</b>	The new Baud Rate code, see Section 1.7 for details. To change the Baud Rate, the module should first be switched to INIT* mode.
<b>FF</b>	The command used to set the data format, checksum, and filter settings. See Section 1.7 for details of the data format. To change the checksum settings, the module should first be switched to INIT* mode.

### Response:

Valid Response: **!AA[CHKSUM](CR)**

Invalid Response: **?AA[CHKSUM](CR)**

<b>!</b>	Delimiter for a valid response
<b>?</b>	Delimiter for an invalid response (If the Baud Rate or checksum settings are changed without first switching to INIT* mode, the module will return an invalid response.)
<b>AA</b>	The address of the responding module in hexadecimal format (00 to FF)

---

There will be no response if the command syntax is incorrect, there is a communication error, or there is no module with the specified address.

**Note:**

Changes to the address, Type Code, Data Format and Filter settings take effect immediately after a valid command is received. Changes to the Baud Rate and checksum settings take effect at the next power-on reset.

**Examples:**

Command: %0102000600                      Response: !02  
Changes the address of module 01 to 02 and returns a valid response.

Command: %0202000602                      Response: !02  
Sets the data format of module 02 to type 2 (2's complement hexadecimal). The module returns a valid response.

Command: %0101000A00                      Response: ?01  
Attempts to change the Baud Rate of module 01 to 115200 bps, but returns an invalid response because the module was not switched to INIT\* mode before sending the command.

Command: %0101000A00                      Response: !01  
Changes the Baud Rate of module 01 to 115200 bps and the module is in INIT\* mode. The module returns a valid response.

**Related Commands:**

Section 2.7 \$AA2

**Related Topics:**

Section 1.7 Configuration Tables

---

## 2.2. #\*\*

### **Description:**

When this command is received, it allows every analog input module to read data from every input channel and the data will be stored in the buffer for later retrieval.

### **Syntax:**

**#\*\*[CHKSUM](CR)**

**#** Delimiter character

**\*\*** The synchronized sampling command

### **Response:**

There is no response to this command. To access the data, another command, \$AA4, must be sent, see Section 2.8 for details.



---

## Examples:

Command: #\*\* No response

Sends the synchronized sampling command.

Command: \$014 Response:

>011+025.12+020.45+012.78+018.97

Sends the command to read the synchronized data. The status byte of the response is 1, which means that it is the first time the synchronized data has been read since the previous #\*\* command was sent.

Command: \$014 Response:

>010+025.12+020.45+012.78+018.97

Sends the command to read the synchronized data. The status byte of the response is 0, which means that it is not the first time the synchronized data has been read since the previous #\*\* command was sent.

## Related Commands:

Section 2.8 \$AA4

---

## 2.3. #AA

### Description:

This command is used to read the data from all analog input channels of a specified module.

### Syntax:

**#AA[CHKSUM](CR)**

**#** Delimiter character

**AA** The address of the module to be read in hexadecimal format (00 to FF)

### Response:

Valid Response: **>(Data)[CHKSUM](CR)**

Invalid Response: **?AA[CHKSUM](CR)**

**>** Delimiter character for a valid response

**?** Delimiter character for an invalid response

**(Data)** The data from all analog input channels. See Section 1.7 for details of the data format.

**AA** The address of the responding module in hexadecimal format (00 to FF)

There will be no response if the command syntax is incorrect, there is a communication error, or there is no module with the specified address.

---

### **Examples:**

Command: #01

Response:

>+025.12+020.45+012.78+018.97

Reads module 01 and receives a valid response with the data in engineering units format.

Command: #02

Response:

>4C532628E2D683A2

Reads module 02 and receives a valid response with the data in hexadecimal format.

Command: #03

Response:

>-9999.9-9999.9-9999.9-9999.9

Attempts to read module 03, but returns an invalid response indicating that the data is out of range.

### **Related Commands:**

Section 2.1 %AANNTTCFF, Section 2.7 \$AA2, Section 2.4 #AAN

### **Related Topics:**

Section 1.7 Configuration Tables

---

## 2.4. #AAN

### Description:

This command is used to read the analog input data from channel N of a specified module.

### Syntax:

**#AAN[CHKSUM](CR)**

**#** Delimiter character

**AA** The address of the module to be read in hexadecimal format (00 to FF)

**N** The channel to be read, zero based

### Response:

Valid Response: **>(Data)[CHKSUM](CR)**

Invalid Response: **?AA[CHKSUM](CR)**

**>** Delimiter character for a valid response

**?** Delimiter character for an invalid response

**AA** The address of the responding module in hexadecimal format (00 to FF)

**(Data)** The analog input data from the specified channel.  
See Section 1.7 for details of the data format.

There will be no response if the command syntax is incorrect, there is a communication error, or there is no module with the specified address.

---

**Examples:**

Command: #032

Response: >+025.13

Reads data from channel 2 of module 03 and returns a valid response indicating a value of +025.13.

Command: #02F

Response: ?02

Attempts to read data from channel 15 of module 02, but returns an invalid response because channel 15 does not exist.

**Related Commands:**

Section 2.1 %AANNTTCFF, Section 2.3 #AA, Section 2.7 \$AA2

**Related Topics:**

Section 1.7 Configuration Tables

---

## 2.5. \$AA0

### Description:

This command is used to perform an analog input span calibration on a specified module.

### Syntax:

**\$AA0[CHKSUM](CR)**

- \$** Delimiter character
- AA** The address of the module to be calibrated in hexadecimal format (00 to FF)
- 0** The command to perform the analog input span calibration

### Response:

Valid Response: **!AA[CHKSUM](CR)**

Invalid Response: **?AA[CHKSUM](CR)**

- !** Delimiter character for a valid response
- ?** Delimiter character for an invalid response
- AA** The address of the responding module in hexadecimal format (00 to FF)

There will be no response if the command syntax is incorrect, there is a communication error, or there is no module with the specified address.

### Note:

The “enable calibration” command, ~AAEV Section 2.31, must be sent before this command is used. See Section 1.6 for details.

---

**Examples:**

Command: \$010

Response: ?01

Attempts to perform an analog input span calibration on module 01, but returns an invalid response because the “enable calibration” command, “~AAEV”, was not sent in advance.

Command: ~01E1

Response: !01

Enables calibration on module 01 and returns a valid response.

Command: \$010

Response: !01

Performs an analog input span calibration on module 01 and returns a valid response.

**Related Commands:**

Section 2.6 \$AA1, Section 2.31 ~AAEV

**Related Topics:**

Section 1.6 Calibration

---

## 2.6. \$AA1

### Description:

This command is used to perform an analog input zero calibration on a specified module.

### Syntax:

**\$AA1[CHKSUM](CR)**

- \$** Delimiter character
- AA** The address of the module to be calibrated in hexadecimal format (00 to FF)
- 1** The command to perform the analog input zero calibration

### Response:

Valid Response: **!AA[CHKSUM](CR)**

Invalid Response: **?AA[CHKSUM](CR)**

- !** Delimiter character for a valid response
- ?** Delimiter character for an invalid response
- AA** The address of the responding module in hexadecimal format (00 to FF)

There will be no response if the command syntax is incorrect, there is a communication error, or there is no module with the specified address.

### Notes:

The “enable calibration” command, ~AAEV Section 2.31, must be sent before this command is used, see Section 1.6 for details.



---

**Examples:**

Command: \$011

Response: ?01

Attempts to perform an analog input zero calibration on module 01, but returns an invalid response because the “enable calibration” command, “~AAEV”, was not sent in advance.

Command: ~01E1

Response: !01

Enables calibration on module 01 and returns a valid response.

Command: \$011

Response: !01

Performs an analog input zero calibration on module 01 and returns a valid response.

**Related Commands:**

Section 2.5 \$AA0, Section 2.31 ~AAEV

**Related Topics:**

Section 1.6 Calibration

---

## 2.7. \$AA2

### Description:

This command is used to read the configuration of a specified module.

### Syntax:

**\$AA2[CHKSUM](CR)**

- \$** Delimiter character
- AA** The address of the module to be read in hexadecimal format (00 to FF)
- 2** The command to read the configuration of the module

### Response:

Valid Response: **!AATCCFF[CHKSUM](CR)**

Invalid Response: **?AA[CHKSUM](CR)**

- !** Delimiter character for a valid response
- ?** Delimiter character for an invalid response
- AA** The address of the responding module in hexadecimal format (00 to FF)
- TT** Not used by the M-7002 and should be 00
- CC** The Baud Rate code for the module. See Section 1.7 for details of the data format..
- FF** The data format, checksum and filter settings for the module. See Section 1.7 for details of the data format.

There will be no response if the command syntax is incorrect, there is a communication error, or there is no module with the specified address.

---

**Examples:**

Command: \$012

Response: !01000A00

Reads the configuration of module 01 and returns a valid response indicating that the Baud Rate is 115200 bps, the data format is Engineering units and the checksum is disabled.

Command: \$022

Response: !02000602

Reads the configuration of module 02 and returns a valid response indicating that the Baud Rate is 9600 bps, data format is 2's compliment hexadecimal and checksum is disabled.

**Related Commands:**

Section 2.1 %AANNTTCCFF

**Related Topics:**

Section 1.7 Configuration Tables

---

## 2.8. \$AA4

### Description:

This command is used to read the synchronization data from a specified module that was stored when the last #\*\* command (Section 2.2) was sent.

### Syntax:

**\$AA4[CHKSUM](CR)**

**\$** Delimiter character

**AA** The address of the module to be read in hexadecimal format (00 to FF)

**4** The command to read the synchronization data

### Response:

Valid Response: **!AAS(Data)[CHKSUM](CR)**

Invalid Response: **?AA[CHKSUM](CR)**

**!** Delimiter character for a valid response

**?** Delimiter character for an invalid response

**AA** The address of the responding module in hexadecimal format (00 to FF)

**S** The status of the synchronization data

0: The data has been read before

1: The data is being read for the first time

**(Data)** The synchronization data. See Section 1.7 for details of the data format.

There will be no response if the command syntax is incorrect, there is a communication error, or there is no module with the specified address.

---

## Examples:

Command: #\*\*

No response

Sends the synchronized sampling command. There will be no response to this command.

Command: \$014

Response:

>011+00.000+00.100+01.000+10.000

Reads the synchronization data from module 01 and returns a valid response containing the data, and sets the status byte to 1 to indicate that the synchronized data is being read for the first time.

Command: \$014

Response:

>010+00.000+00.100+01.000+10.000

Reads the synchronized data from module 01 and returns a valid response containing the data, and sets the status byte to 0 to indicate that the synchronized data has already been read before.

## Related Commands:

Section 2.2 #\*\*

## Related Topics:

Section 1.7 Configuration Tables

---

## 2.9. \$AA5

### Description:

This command is used to read the reset status of a specified module.

### Syntax:

**\$AA5[CHKSUM](CR)**

- \$** Delimiter character
- AA** The address of the module to be read in hexadecimal format (00 to FF)
- 5** The command to read the reset status

### Response:

Valid Response: **!AAS[CHKSUM](CR)**

Invalid Response: **?AA[CHKSUM](CR)**

- !** Delimiter character for a valid response
- ?** Delimiter character for an invalid response
- AA** The address of the responding module in hexadecimal format (00 to FF)
- S** The reset status of the module:
  - 0: This is not the first time the command has been sent since the module was powered on, which denotes that there has been no module reset since the last \$AA5 command was sent.
  - 1: This is the first time the command has been sent since the module was powered on.

There will be no response if the command syntax is incorrect, there is a communication error, or there is no module with the specified address.

---

**Examples:**

Command: \$015

Response: !011

Reads the reset status of module 01. The module returns a valid response indicating that it is the first time the \$AA5 command has been sent since the module was powered on.

Command: \$015

Response: !010

Reads the reset status of module 01. The module returns a valid response indicating that there has been no module reset since the last \$AA5 command was sent.

---

## 2.10. \$AA5VV

### Description:

This command is used to specify which channel(s) of a specified module are to be enabled.

### Syntax:

**\$AA5VVVV[CHKSUM](CR)**

**\$** Delimiter character

**AA** The address of the module to be set in hexadecimal format (00 to FF)

**5** The command to set the channel(s) to enabled

**VV** A two-digit hexadecimal value, where bit 0 corresponds to channel 0, bit 1 corresponds to channel 1, etc. When the bit is 0, it means that the channel is disabled and 1 means that the channel is enabled.

### Response:

Valid Response: **!AA[CHKSUM](CR)**

Invalid Response: **?AA[CHKSUM](CR)**

**!** Delimiter character for a valid response

**?** Delimiter character for an invalid response. An invalid response is returned if an attempt is made to enable a channel that is not present or does not exist.

**AA** The address of the responding module in hexadecimal format (00 to FF)

There will be no response if the command syntax is incorrect, there is a communication error, or there is no module with the specified address.



---

**Examples:**

Command: \$0150A

Response: !01

Enables channels 1 and 3 of module 01 and disables all other channels. The module returns a valid response.

Command: \$016

Response: !010A

Reads the channel status of module 01 and returns a valid response of “0A”, meaning that channels 1 and 3 are enabled and all other channels are disabled.

**Related Commands:**

Section 2.11 \$AA6

---

## 2.11. \$AA6

### Description:

This command is used to read whether each channel of a specified module is enabled or disabled.

### Syntax:

**\$AA6[CHKSUM](CR)**

**\$** Delimiter character

**AA** The address of the module to be read in hexadecimal format (00 to FF)

**6** The command to read the channel status

### Response:

Valid Response: **!AAVV[CHKSUM](CR)**

Invalid Response: **?AA[CHKSUM](CR)**

**!** Delimiter character for a valid response

**?** Delimiter character for an invalid response

**AA** The address of the responding module in hexadecimal format (00 to FF)

**VV** A two-digit hexadecimal value, where bit 0 corresponds to channel 0, bit 1 corresponds to channel 1, etc. When the bit is 0 it means that the channel is disabled, and 1 means that the channel is enabled.

There will be no response if the command syntax is incorrect, there is a communication error, or there is no module with the specified address.

---

**Examples:**

Command: \$0150A

Response: !01

Enables channels 1 and 3 of module 01 and disables all other channels. The module returns a valid response.

Command: \$016

Response: !010A

Reads the channel status of module 01 and returns a valid response of “0A”, meaning that channels 1 and 3 are enabled and all other channels are disabled.

**Related Commands:**

Section 2.10 \$AA5VV

---

## 2.12. \$AA7CiRrr

### Description:

This command is used to set the type code for a specific channel of a specified module.

### Syntax:

**\$AA7CiRrr[CHKSUM](CR)**

**\$** Delimiter character  
**AA** The address of the module to be set in hexadecimal format (00 to FF)  
**7** The command to set the channel range code  
**Ci** i specifies the channel to be set, zero based  
**Rrr** rr represents the type code for the channel to be set. Refer to the Analog Input Type Settings table in Section 1.7 for details.

### Response:

Valid Response: **!AA[CHKSUM](CR)**

Invalid Response: **?AA[CHKSUM](CR)**

**!** Delimiter character for a valid response

**?** Delimiter character for an invalid response or an invalid type code

**AA** The address of the responding module in hexadecimal format (00 to FF)

There will be no response if the command syntax is incorrect, there is a communication error, or there is no module with the specified address.

---

### **Examples:**

Command: \$017C0R08

Response: !01

Sets the type code for channel 0 of module 01 to 08 (-10 ~ +10 V) and the module returns a valid response.

Command: \$018C0

Response: !01C0R08

Reads the analog input type code information for channel 0 of module 01 and returns a valid response of 08, which means that the input type is -10~+10 V.

Command: \$037C1RFF

Response: ?03

Attempts to set the type code for channel 1 of module 03 to FF, but returns an invalid response because the type code is invalid.

### **Related Commands:**

Section 2.13 \$AA8Ci

### **Related Topics:**

Section 1.7 Configuration Tables

---

## 2.13. \$AA8Ci

### Description:

This command is used to read the analog input type code information for a specific channel of a specified module.

### Syntax:

**\$AA8Ci[CHKSUM](CR)**

**\$** Delimiter character

**AA** The address of the module to be read in hexadecimal format (00 to FF)

**8** The command to read the type code of the channel

**Ci** i specifies which analog input channel to access for the type code information

### Response:

Valid Response: **!AA8CiRrr[CHKSUM](CR)**

Invalid Response: **?AA[CHKSUM](CR)**

**!** Delimiter character for a valid response

**?** Delimiter character for an invalid response or an invalid channel

**AA** The address of the responding module in hexadecimal format (00 to FF)

**Ci** i specifies the analog input channel that was accessed to retrieve the type code information.

**Rrr** rr represents the type code for the specified analog input channel. Refer to the Analog Input Type Settings table in Section 1.7 for details.

There will be no response if the command syntax is incorrect, there is a communication error, or there is no module with the specified address.

---

### **Examples:**

Command: \$017C0R08

Response: !01

Sets the type code for channel 0 of module 01 to 08 (-10 ~ +10 V) and the module returns a valid response.

Command: \$018C0

Response: !01C0R08

Reads the analog input type code information for channel 0 of module 01 and returns a valid response of 08 which means that the input type is -0~+10 V.

Command: \$018CF

Response: ?01

Attempts to read the analog input type code information for channel 15 of module 01, but returns an invalid response because analog input channel 15 does not exist.

### **Related Commands:**

Section 2.12 \$AA7CiRrr

### **Related Topics:**

Section 1.7 Configuration Tables

---

## 2.14. \$AAC

### Description:

This command is used to clear the digital input/output latch data for a specified module.

### Syntax:

**\$AAC[CHKSUM](CR)**

**\$** Delimiter character

**AA** The address of the module to be cleared in hexadecimal format (00 to FF)

**C** The command to clear the digital input/output latch data

### Response:

Valid Response: **!AA[CHKSUM](CR)**

Invalid Response: **?AA[CHKSUM](CR)**

**!** Delimiter character for a valid response

**?** Delimiter character for an invalid response

**AA** The address of the responding module in hexadecimal format (00 to FF)

There will be no response if the command syntax is incorrect, there is a communication error, or there is no module with the specified address.

### Examples:

Command: \$01C

Response: !01

Clears the latched data for module 01 and returns a valid response.

### Related Command:

Section 2.17 \$AALS



---

## 2.15. \$AAF

### Description:

This command is used to read the firmware version information for a specified module.

### Syntax:

**\$AAF[CHKSUM](CR)**

- \$** Delimiter character
- AA** The address of the module to be read in hexadecimal format (00 to FF)
- F** The command to read the firmware version information

### Response:

Valid Response: **!AA(Data)[CHKSUM](CR)**

Invalid Response: **?AA[CHKSUM](CR)**

- !** Delimiter character for a valid response
- ?** Delimiter character for an invalid response
- AA** The address of the responding module in hexadecimal format (00 to FF)
- (Data)** A string indicating the firmware version information for the module

There will be no response if the command syntax is incorrect, there is a communication error, or there is no module with the specified address.

### Examples:

Command: \$01F

Response: !01A2.0

Reads the firmware version information for module 01 and returns a valid response showing that it is version A2.0.

---

## 2.16. \$AAI

### Description:

This command is used to read the status of the INIT switch on a specified module.

### Syntax:

**\$AAI[CHKSUM](CR)**

- \$** Delimiter character
- AA** The address of the module to be read in hexadecimal format (00 to FF)
- I** The command to read the status of the INIT switch on the module

### Response:

Valid Response: **!AAS[CHKSUM](CR)**

Invalid Response: **?AA[CHKSUM](CR)**

- !** Delimiter character for a valid response
- ?** Delimiter character for an invalid response
- AA** The address of the responding module in hexadecimal format (00 to FF)
- S** The status of the INIT switch on the module
  - 0: The INIT switch is currently in the INIT position
  - 1: The INIT switch is currently in the Normal position

There will be no response if the command syntax is incorrect, there is a communication error, or there is no module with the specified address.

---

**Examples:**

Command: \$01I

Response: !010

Reads the status of the INIT switch on module 01 and shows that it is currently in the INIT position.

---

## 2.17. \$AALS

### Description:

This command is used to read the status of the digital input/output latch for each channel of a specified module.

### Syntax:

**\$AALS[CHKSUM](CR)**

- \$** Delimiter character
- AA** The address of the module to be read in hexadecimal format (00 to FF)
- L** The command to read the status of the latches for each channel
- S** The status of the latch
  - 0 = Latch low
  - 1 = Latch high

### Response:

Valid Response: **!(Data)[CHKSUM](CR)**

Invalid Response: **?AA[CHKSUM](CR)**

- !** Delimiter character for a valid response
- ?** Delimiter character for an invalid response
- AA** The address of the responding module in hexadecimal format (00 to FF)
- (Data)** A four-digit hexadecimal value followed by 00 representing the status of the latched digital output/input channels

There will be no response if the command syntax is incorrect, there is a communication error, or there is no module with the specified address.

---

**Examples:**

Command: \$01L1

Response: !030100

Reads module 01 and returns a valid response showing that the latches are high on digital output channels 0 and 1 and digital input channel 0.

Command: \$01C

Response: !01

Clears the digital input and output latch data for module 01 and returns a valid response.

Command: \$01L1

Response: !000000

Reads module 01 and returns a valid response showing that high latches have not occurred on any digital input or output channels.

Command: \$01L2

Response: ?01

Attempts to read the module 01, but returns an invalid response because the parameter “2” is outside the range of valid value.

**Related Commands:**

Section 2.14 \$AAC, Section 2.46 @AADODD

---

## 2.18. \$AAM

### Description:

This command is used to read the name of a specified module.

### Syntax:

**\$AAM[CHKSUM](CR)**

**\$** Delimiter character

**AA** The address of the module to be read in hexadecimal format (00 to FF)

**M** The command to read the name of the module

### Response:

Valid Response: **!AA(Data)[CHKSUM](CR)**

Invalid Response: **?AA[CHKSUM](CR)**

**!** Delimiter character for a valid response

**?** Delimiter character for an invalid response

**AA** The address of the responding module in hexadecimal format (00 to FF)

**(Data)** A string showing the name of the module

There will be no response if the command syntax is incorrect, there is a communication error, or there is no module with the specified address.

### Examples:

Command: \$01M

Response: !017002

Reads module 01 and returns a valid response with the name "7002".

### Related Commands:

Section 2.33 ~AAO(Data)

---

## 2.19. \$AAP

### Description:

This command is used to read which communication protocol is supported and being used by a specified module.

### Syntax:

**\$AAP[CHKSUM](CR)**

- \$** Delimiter character
- AA** The address of the module to be read in hexadecimal format (00 to FF)
- P** The command to read the communication protocol

### Response:

Valid Response: **!AASC[CHKSUM](CR)**

Invalid Response: **?AA[CHKSUM](CR)**

- !** Delimiter character for a valid response
- ?** Delimiter character for an invalid response
- AA** The address of the responding module in hexadecimal format (00 to FF)
- S** Indicates which protocol is supported
  - 0: Only the DCON protocol is supported
  - 1: Both the DCON and Modbus RTU protocols are supported
- C** Indicates which protocol is currently being used
  - 0: The protocol set in the EEPROM is DCON
  - 1: The protocol set in the EEPROM is Modbus RTU

---

There will be no response if the command syntax is incorrect, there is a communication error, or there is no module with the specified address.

**Examples:**

Command: \$01P1

Response: !01

Sets the communication protocol for module 01 to Modbus RTU and returns a valid response.

Command: \$01P

Response: !0111

Reads which communication protocol is being used by module 01 and returns a valid response of 10, meaning that it supports both the DCON and Modbus RTU protocols, and the protocol that will be used at the next power-on reset is Modbus RTU.

**Related Commands:**

Section 2.20 \$AAPN



---

## 2.20. \$AAPN

### Description:

This command is used to set the communication protocol to be used by a specified module.

### Syntax:

**\$AAPN[CHKSUM](CR)**

**\$** Delimiter character  
**AA** The address of the module to be set in hexadecimal format (00 to FF)  
**P** The command to set the communication protocol  
**N** The protocol to be used  
0: DCON  
1: Modbus RTU

### Note:

Before using this command, the INIT switch must be in the INIT position, see Section 5.1 for details. The settings for the new protocol are saved in the EEPROM and will become effective after the next power-on reset.

### Response:

Valid Response: **!AA[CHKSUM](CR)**

Invalid Response: **?AA[CHKSUM](CR)**

**!** Delimiter character for a valid response  
**?** Delimiter character for an invalid response  
**AA** The address of the responding module in hexadecimal format (00 to FF)

---

There will be no response if the command syntax is incorrect, there is a communication error, or there is no module with the specified address.

### **Examples:**

Command: \$01P1

Response: ?01

Attempts to set the communication protocol for module 01 to Modbus RTU, but returns an invalid response because the INIT switch is not in INIT position.

Command: \$01P1

Response: !01

Sets the communication protocol for module 01 to Modbus RTU and returns a valid response. The new protocol will become effective after the next power-on reset.

Command: \$01P

Response: !0111

Reads which communication protocol is being used by module 01 and returns a valid response of 10 meaning that it supports both the DCON and Modbus RTU protocols, and the protocol that will be used at the next power-on reset is Modbus RTU.

### **Related Commands:**

Section 2.19 \$AAP

### **Related Topics:**

Section 5.1 INIT Mode

---

## 2.21. \$AAS1

### Description:

This command is used to reload the factory default calibration parameters for a specified module, including the internal calibration parameters.

### Syntax:

**\$AAS1[CHKSUM](CR)**

- \$** Delimiter character
- AA** The address of the module where the default calibration parameters are to be reloaded in hexadecimal format (00 to FF)
- S1** The command to reload the factory default calibration parameters

### Response:

Valid Response: **!AA[CHKSUM](CR)**

Invalid Response: **?AA[CHKSUM](CR)**

- !** Delimiter character for a valid response
- ?** Delimiter character for an invalid response
- AA** The address of the responding module in hexadecimal format (00 to FF)

There will be no response if the command syntax is incorrect, there is a communication error, or there is no module with the specified address.

---

**Examples:**

Command: \$01S1

Response: !01

Sends a command to module 01 to reload the factory default calibration parameters and returns a valid response.

**Related Commands:**

Section 2.5 \$AA0, Section 2.6 \$AA1, Section 2.31  
~AAEV

**Related Topics:**

Section 1.6 Calibration

---

## 2.22. ~\*\*

### **Description:**

This command is used to inform all modules on the network that the host is OK.

### **Syntax:**

~\*\*[CHKSUM](CR)

~           Delimiter character

\*\*           The “Host OK” command

### **Response:**

There is no response to this command.

### **Examples:**

Command: ~\*\*

No response

Sends a “Host OK” command to all modules on the network.

### **Related Commands:**

Section 2.23 ~AA0, Section 2.24 ~AA1, Section 2.25 ~AA2, Section 2.26 ~AA3EUV, Section 2.27 ~AA4, Section 2.28 ~AA5PPSS

---

## 2.23. ~AA0

### Description:

This command is used to read the status of the Host Watchdog for a specified module.

### Syntax:

**~AA0[CHKSUM](CR)**

- ~** Delimiter character
- AA** The address of the module to be read in hexadecimal format (00 to FF)
- 0** The command to read the status of the module's Host Watchdog

### Response:

Valid Response: **!AASS[CHKSUM](CR)**

Invalid Response: **?AA[CHKSUM](CR)**

- !** Delimiter character for a valid response
- ?** Delimiter character for an invalid response
- AA** The address of the responding module in hexadecimal format (00 to FF)
- SS** A two-digit hexadecimal value that represents the status of the Host Watchdog, where:
  - Bit 2: 0 indicates that no Host Watchdog timeout has occurred, and 1 indicates that a Host Watchdog timeout has occurred.Note: The status information for the Host Watchdog is stored in EEPROM and can only be reset using the ~AA1 command.
  - Bit 7: 0 indicates that the Host Watchdog is disabled, and 1 indicates that the Host Watchdog is enabled.

---

There will be no response if the command syntax is incorrect, there is a communication error, or there is no module with the specified address.

**Examples:**

Command: ~010

Response: !0100

Reads the status of the Host Watchdog for module 01 and returns a valid response with a value of 00, meaning that the Host Watchdog is disabled and no Host Watchdog timeout has occurred.

Command: ~020

Response: !0204

Reads the status of the Host Watchdog for module 02 and returns a valid response with a value of 04, meaning that a Host Watchdog timeout has occurred.

**Related Commands:**

Section 2.22 ~\*\*, Section 2.24 ~AA1, Section 2.25 ~AA2, Section 2.26 ~AA3E V V

**Related Topics:**

Section 5.2 Dual Watchdog Operation

---

## 2.24. ~AA1

### Description:

This command is used to reset the timeout status of the Host Watchdog for a specified module.

### Syntax:

**~AA1[CHKSUM](CR)**

- ~** Delimiter character
- AA** The address of the module to be reset in hexadecimal format (00 to FF)
- 1** The command to reset the timeout status of the Host Watchdog

### Response:

Valid Response: **!AA[CHKSUM](CR)**

Invalid Response: **?AA[CHKSUM](CR)**

- !** Delimiter character for a valid response
- ?** Delimiter character for an invalid response
- AA** The address of the responding module in hexadecimal format (00 to FF)

There will be no response if the command syntax is incorrect, there is a communication error, or there is no module with the specified address.



---

**Examples:**

Command: ~010

Response: !0104

Reads the status of the Host Watchdog for module 01 and returns a valid response showing that a Host Watchdog timeout has occurred.

Command: ~011

Response: !01

Resets the Host Watchdog timeout for module 01 and returns a valid response.

Command: ~010

Response: !0100

Reads the status of the Host Watchdog for module 01 and shows that no Host Watchdog timeout has occurred.

**Related Commands:**

Section 2.22 ~\*\*, Section 2.23 ~AA0, Section 2.25 ~AA2, Section 2.26 ~AA3EVV

---

## 2.25. ~AA2

### Description:

This command is used to read the Host Watchdog timeout value for a specified module.

### Syntax:

**~AA2[CHKSUM](CR)**

- ~** Delimiter character
- AA** The address of the module to be read in hexadecimal format (00 to FF)
- 2** The command to read the Host Watchdog timeout value

### Response:

Valid Response: **!AAEVV[CHKSUM](CR)**

Invalid Response: **?AA[CHKSUM](CR)**

- !** Delimiter character for a valid response
- ?** Delimiter character for an invalid response
- AA** The address of the responding module in hexadecimal format (00 to FF)
- E** The status of the Host Watchdog
  - 0: The Host Watchdog is disabled
  - 1: The Host Watchdog is enabled
- VV** A two-digit hexadecimal value that represents the Host Watchdog timeout value in tenths of a second, for example, 01 means 0.1 seconds and FF means 25.5 seconds.

There will be no response if the command syntax is incorrect, there is a communication error, or there is no module with the specified address.

---

## **Examples:**

Command: ~013164

Response: !01

Enables the Host Watchdog for module 01 and sets the Host Watchdog timeout value to 10.0 seconds. The module returns a valid response.

Command: ~012

Response: !011FF

Reads the Host Watchdog timeout value for module 01 and returns a valid response with a value of 1FF, meaning that the Host Watchdog is enabled and the Host Watchdog timeout value is 25.5 seconds.

## **Related Commands:**

Section 2.22 ~\*\*, Section 2.23 ~AA0, Section 2.24 ~AA1, Section 2.26 ~AA3EVV

## **Related Topics:**

Section 5.2 Dual Watchdog Operation

---

## 2.26. ~AA3E VV

### Description:

This command is used to enable or disable the Host Watchdog for a specified module and to set the Host Watchdog timeout value.

### Syntax:

**~AA3E VV[CHKSUM](CR)**

- ~** Delimiter character
- AA** The address of the module to be set in hexadecimal format (00 to FF)
- 3** The command to set the Host Watchdog
- E** The command to enable or disable the Host Watchdog
  - 0: Disables the Host Watchdog
  - 1: Enables the Host Watchdog
- VV** A two-digit hexadecimal value to represent the Host Watchdog timeout value in tenths of a second, for example, 01 means 0.1 seconds and FF means 25.5 seconds.

### Response:

Valid Response: **!AA[CHKSUM](CR)**

Invalid Response: **?AA[CHKSUM](CR)**

- !** Delimiter character for a valid response
- ?** Delimiter character for an invalid response
- AA** The address of the responding module in hexadecimal format (00 to FF)

There will be no response if the command syntax is incorrect, there is a communication error, or there is no module with the specified address.

---

## **Examples:**

Command: ~013164

Response: !01

Enables the Host Watchdog for module 01 and sets the Host Watchdog timeout value to 10.0 seconds. The module returns a valid response.

Command: ~012

Response: !01164

Reads the Host Watchdog timeout value for module 01 and returns a valid response with a value of 164, meaning that the Host Watchdog is enabled and the Host Watchdog timeout value is 10.0 seconds.

## **Related Commands:**

Section 2.22 ~\*\*, Section 2.23 ~AA0, Section 2.24 ~AA1, Section 2.25 ~AA2

## **Related Topics:**

Section 5.2 Dual Watchdog Operation

---

## 2.27. ~AA4

### Description:

This command is used to read the digital output power-on value and the safe value for a specified module.

### Syntax:

**~AA4[CHKSUM](CR)**

- ~** Delimiter character
- AA** The address of the module to be read in hexadecimal format (00 to FF)
- 4** The command to read the digital output power-on value and the safe value

### Response:

Valid Rommand: **!AAPPSS[CHKSUM](CR)**

Invalid Rommand: **?AA[CHKSUM](CR)**

- !** Delimiter character for a valid response
- ?** Delimiter character for an invalid response
- AA** The address of the responding module in hexadecimal format (00 to FF)
- PP** A two-digit hexadecimal value that represents the digital output power-on value
- SS** A two-digit hexadecimal value that represents the digital output safe value

There will be no response if the command syntax is incorrect, there is a communication error, or there is no module with the specified address

---

**Note:**

Neither the power-on value nor the safe value have any effect on digital outputs that are associated with alarm outputs.

**Examples:**

Command: ~0150300

Response: !01

Sets the digital output power-on value to 03 and sets the digital output safe value to 00, and returns a valid response.

Command: ~014

Response: !010300

Reads the digital output power-on value and the digital output safe value for module 01 and returns a valid response indicating a power-on value of 03 and safe value of 00.

**Related Commands:**

Section 2.22 ~\*\*, Section 2.23 ~AA0, Section 2.24 ~AA1, Section 2.25 ~AA2, Section 2.26 ~AA3EVV, Section 2.28 ~AA5PPSS

---

## 2.28. ~AA5PPSS

### Description:

This command is used to set the digital output power-on value and the safe value for a specified module.

### Syntax:

**~AA5PPSS[CHKSUM](CR)**

- ~** Delimiter character
- AA** The address of the module to be set in hexadecimal format (00 to FF)
- 5** The command to set the digital output power-on value and the safe value
- PP** A two-digit hexadecimal value to represent the digital output power-on value
- SS** A two-digit hexadecimal value to represent the digital output safe value

### Response:

Valid Response: **!AA[CHKSUM](CR)**

Invalid Response: **?AA[CHKSUM](CR)**

- !** Delimiter character for a valid response
- ?** Delimiter character for an invalid response
- AA** The address of the responding module in hexadecimal format (00 to FF)

There will be no response if the command syntax is incorrect, there is a communication error, or there is no module with the specified address.



---

**Note:**

Neither the power-on value nor the safe value have any effect on digital outputs that are associated with alarm outputs.

**Examples:**

Command: ~0150102

Response: !01

Sets the digital output power-on value to 01 and sets the digital output safe value to 02, and returns a valid response.

Command: ~014

Response: !010102

Reads the digital output power-on value and the digital output safe value for module 01 and returns a valid response with a value of 0102, which denotes that the digital output power-on value is 01 and the digital output safe value is 02.

**Related Commands:**

Section 2.22 ~\*\*, Section 2.23 ~AA0, Section 2.24 ~AA1, Section 2.25 ~AA2, Section 2.26 ~AA3Evv, Section 2.27 ~AA4

---

## 2.29. ~AAD

### Description:

This command is used to read the miscellaneous settings for a specified module.

### Syntax:

**~AAD[CHKSUM](CR)**

**~** Delimiter character

**AA** The address of the module to be read in hexadecimal format (00 to FF)

**D** The command to read the miscellaneous settings

### Response:

Valid Response: **!AAVV[CHKSUM](CR)**

Invalid Response: **?AA[CHKSUM](CR)**

**!** Delimiter character for a valid response

**?** Delimiter character for an invalid response

**AA** The address of the responding module in hexadecimal format (00 to FF)

**VV** A two-digit hexadecimal value that represents the miscellaneous settings, as indicated in the following tables:

7	6	5	4	3	2	1	0
Reserved						0A	IA

---

Key	Description
OA	DO active state 0: Output value 0 indicates the relay is inactive Output value 1 indicates the relay is active 1: Output value 0 indicates the relay is active Output value 1 indicates the relay is inactive
IA	DI active state 0: Input value 0 indicates high voltage Input value 1 indicates that there is no signal or the voltage is low 1: Input value 0 indicates that there is no signal or the voltage is low Input value 1 indicates high voltage

There will be no response if the command syntax is incorrect, there is a communication error, or there is no module with the specified address.

### Examples:

Command: ~\$01D01                      Response: !01  
 Sets the miscellaneous settings for module 01 to 01, meaning that the digital input will be inversed, and returns a valid response.

Command: ~\$01D                      Response: !0101  
 Reads the miscellaneous settings of module 01 and returns a valid response with a value of 01 indicating that the digital input will be inversed.

### Related Commands:

Section 2.30 ~AADVV

---

## 2.30. ~AADVV

### Description:

This command is used to set the miscellaneous settings for a specified module.

### Syntax:

**~AADVV[CHKSUM](CR)**

**~** Delimiter character

**AA** The address of the module to be set in hexadecimal format (00 to FF)

**D** The command to set the miscellaneous settings

**VV** A two-digit hexadecimal value that represents the miscellaneous settings, as indicated in the following tables:

7	6	5	4	3	2	1	0
Reserved						OA	IA

Key	Description
OA	DO active state 0: Output value 0 indicates the relay is inactive Output value 1 indicates the relay is active 1: Output value 0 indicates the relay is active Output value 1 indicates the relay is inactive
IA	DI active state 0: Input value 0 indicates high voltage Input value 1 indicates that there is no signal or the voltage is low 1: Input value 0 indicates that there is no signal or the voltage is low Input value 1 indicates high voltage

---

## Response:

Valid Response:               **!AA [CHKSUM](CR)**

Invalid Response:             **?AA[CHKSUM](CR)**

**!**           Delimiter character for a valid response

**?**           Delimiter character for an invalid response

**AA**        The address of the responding module in  
            hexadecimal format (00 to FF)

There will be no response if the command syntax is incorrect, there is a communication error, or there is no module with the specified address.

## Examples:

Command: ~\$01D01                               Response: !01

    Sets the miscellaneous settings for module 01 to 01,  
    meaning that the digital input will be inversed, and  
    returns a valid response.

Command: ~\$01D                                 Response: !0101

    Reads the miscellaneous settings of module 01 and  
    returns a valid response with a value of 01 indicating  
    that the digital input will be inversed.

## Related Commands:

Section 2.29 ~AAD

---

## 2.31. ~AAEV

### Description:

This command is used to enable or disable calibration on a specified module.

### Syntax:

**~AAEV[CHKSUM](CR)**

- ~** Delimiter character
- AA** The address of the module to be set in hexadecimal format (00 to FF)
- E** The command to enable/disable calibration
- V** 0: Disables calibration  
1: Enables calibration

### Response:

Valid Response: **!AA[CHKSUM](CR)**

Invalid Response: **?AA[CHKSUM](CR)**

- !** Delimiter character for a valid response
- ?** Delimiter character for an invalid response
- AA** The address of the responding module in hexadecimal format (00 to FF)

There will be no response if the command syntax is incorrect, there is a communication error, or there is no module with the specified address.

---

### **Examples:**

Command: \$010

Response: ?01

Attempts to send the command to perform a span calibration on module 01, but returns an invalid response because the “enable calibration” command, ~AAEV, was not sent in advance.

Command: ~01E1

Response: !01

Enables calibration on module 01 and returns a valid response.

Command: \$010

Response: !01

Sends the command to perform a span calibration on module 01 and returns a valid response.

### **Related Commands:**

Section 2.5 \$AA0, Section 2.6 \$AA1

### **Related Topics:**

Section 1.6 Calibration

---

## 2.32. ~AAI

### Description:

This command is used to enable modification of the Baud Rate and checksum settings for a specified module using the software INIT function only.

### Syntax:

**~AAI[CHKSUM](CR)**

- ~** Delimiter character
- AA** The address of the module to be set in hexadecimal format (00 to FF)
- I** The command to set the software INIT function

### Response:

Valid Response: **!AA[CHKSUM](CR)**

Invalid Response: **?AA[CHKSUM](CR)**

- !** Delimiter character for a valid response
- ?** Delimiter character for an invalid response
- AA** The address of the responding module in hexadecimal format (00 to FF)

There will be no response if the command syntax is incorrect, there is a communication error, or there is no module with the specified address.



---

**Examples:**

Command: ~01T10

Response: !01

Sets the timeout value for the software INIT function on module 01 to 16 seconds and returns a valid response.

Command: \$01I

Response: !01

Sets the software INIT function on module 01 to enabled and returns a valid response.

Command: %0101000600

Response: !01

Sets the Baud Rate for module 01 to 9600 bps and returns a valid response.

**Related Commands:**

Section 2.1 %AANNTCCFF, Section 2.36 ~AATnn

---

## 2.33. ~AAO(Data)

### Description:

This command is used to set the name of a specified module

### Syntax:

**~AAO(Data)[CHKSUM](CR)**

**~** Delimiter character

**AA** The address of the module to be set in hexadecimal format (00 to FF)

**O** The command to set the name of the module

**(Data)** The new name of the module (max. 6 characters)

### Response:

Valid Response: **!AA[CHKSUM](CR)**

Invalid Response: **?AA[CHKSUM](CR)**

**!** Delimiter character for a valid response

**?** Delimiter character for an invalid response

**AA** The address of the responding module in hexadecimal format (00 to FF)

There will be no response if the command syntax is incorrect, there is a communication error, or there is no module with the specified address.

---

**Examples:**

Command: ~01O7002

Response: !01

Sets the name of module 01 to “7002” and returns a valid response.

Command: \$01M

Response: !017002

Reads module 01 and returns a valid response with the name “7002”.

**Related Commands:**

Section 2.18 \$AAM

---

## 2.34. ~AARD

### Description:

This command is used to read the response delay time for a specified module.

### Syntax:

**~AARD[CHKSUM](CR)**

**~** Delimiter character

**AA** The address of the module to be read in hexadecimal format (00 to FF)

**RD** The command to read the response delay time

### Response:

Valid Response: **!AATT[CHKSUM](CR)**

Invalid Response: **?AA[CHKSUM](CR)**

**!** Delimiter character for a valid response

**?** Delimiter character for an invalid response

**AA** The address of the responding module in hexadecimal format (00 to FF)

**TT** A two-digit hexadecimal value that represents the response delay time value in milliseconds. For example, 01 denotes 1 millisecond and 1A denotes 26 milliseconds. The value must be less than or equal to 1E.

There will be no response if the command syntax is incorrect, there is a communication error, or there is no module with the specified address.

---

**Examples:**

Command: ~01RD10

Response: !01

Sets the response delay time to 16 milliseconds and returns a valid response..

Command: ~01RD

Response: !0110

Reads the response delay time and returns a valid response with a value of 10 indicating 16 milliseconds. The response will be sent after 16 milliseconds have elapsed.

**Related Commands:**

Section 2.35 ~AARDTT

---

## 2.35. ~AARDTT

### Description:

This command is used to set the response delay time for a specified module.

### Syntax:

**~AARDTT[CHKSUM](CR)**

- ~** Delimiter character
- AA** The address of the module to be set in hexadecimal format (00 to FF)
- RD** The command to set the response delay time
- TT** A two-digit hexadecimal value that represents the response time value in milliseconds. For example, 01 denotes 1 millisecond and 1A denotes 26 milliseconds. The value must be less than or equal to 1E.

### Response:

Valid Response: **!AA [CHKSUM](CR)**

Invalid Response: **?AA[CHKSUM](CR)**

- !** Delimiter character for a valid response
- ?** Delimiter character for an invalid response
- AA** The address of the responding module in hexadecimal format (00 to FF)

There will be no response if the command syntax is incorrect, there is a communication error, or there is no module with the specified address.

---

**Examples:**

Command: ~01RD10

Response: !01

Sets the response delay time to 16 milliseconds and returns a valid response..

Command: ~01RD

Response: !0110

Reads the response delay time and returns a valid response with a value of 10 indicating 16 milliseconds. The response will be sent after 16 milliseconds have elapsed.

**Related Commands:**

Section 2.34 ~AARD

---

## 2.36. ~AATnn

### Description:

This command is used to set the timeout value for the software INIT function on a specified module.

### Syntax:

**~AARDTT[CHKSUM](CR)**

- ~** Delimiter character
- AA** The address of the module to be set in hexadecimal format (00 to FF)
- T** The command to set the timeout value for the software INIT function
- nn** A two-digit hexadecimal value that represents the timeout value for the software INIT function in seconds. For example, 01 denotes 1 second and 1A denotes 26 seconds. The value must be less than or equal to 3C.

### Response:

Valid Response: **!AA [CHKSUM](CR)**

Invalid Response: **?AA[CHKSUM](CR)**

- !** Delimiter character for a valid response
- ?** Delimiter character for an invalid response
- AA** The address of the responding module in hexadecimal format (00 to FF)

There will be no response if the command syntax is incorrect, there is a communication error, or there is no module with the specified address.



---

**Examples:**

Command: ~01T10

Response: !01

Sets the timeout value for the software INIT function on module 01 to 16 seconds and returns a valid response.

Command: \$01I

Response: !01

Sets the software INIT function on module 01 to enabled and returns a valid response.

Command: %0101000600

Response: !01

Sets the Baud Rate for module 01 to 9600 bps and returns a valid response.

Command: ~01TFF

Response: ?01

Attempts to set the timeout value for the software INIT function on module 01 to 255 seconds, but returns an invalid response because the duration is greater than the permitted value (3C).

**Related Commands:**

Section 2.1 %AANNTTCCFF, Section 2.32 ~AAI

---

## 2.37. @AACECi

### Description:

This command is used to reset the counter for a specific channel of a specified module.

### Syntax:

**@AACECi[CHKSUM](CR)**

- @** Delimiter character
- AA** The address of the module to be reset in hexadecimal format (00 to FF)
- CE** The command to reset the counter
- Ci** i specifies the channel to be reset, zero based

### Response:

Valid Response: **!AA [CHKSUM](CR)**

Invalid Response: **?AA[CHKSUM](CR)**

- !** Delimiter character for a valid response
- ?** Delimiter character for an invalid response
- AA** The address of the responding module in hexadecimal format (00 to FF)

There will be no response if the command syntax is incorrect, there is a communication error, or there is no module with the specified address.

---

**Example:**

Command: @01REC1  
!0100000008

Response:

Reads data from channel 1 of module 01 and returns a valid response indicating a counter value of 00000008.

Command: @01CEC1

Response: !01

Resets the counter for channel 1 of module 01 to the preset value and returns a valid response.

Command: @01REC1  
!0100000000

Response:

Reads data from channel 1 of module 01 and returns a valid response indicating a counter value of 00000000.

Command: @01CECF

Response: !01

Attempts to reset the counter for channel 15 of module 01 to the preset value, but returns an invalid response because channel 15 does not exist.

**Related Commands:**

Section 2.51 @AARECi

---

## 2.38. @AACH

### Description:

This command is used to clear the high latch values for all channels of a specified module.

### Syntax:

**@AACH [CHKSUM](CR)**

**@** Delimiter character

**AA** The address of the module to be cleared in hexadecimal format (00 to FF)

**CH** The command to clear the high latch values

### Response:

Valid Response: **!AA[CHKSUM](CR)**

Invalid Response: **?AA[CHKSUM](CR)**

**!** Delimiter character for a valid response

**?** Delimiter character for an invalid response

**AA** The address of the responding module in hexadecimal format (00 to FF)

There will be no response if the command syntax is incorrect, there is a communication error, or there is no module with the specified address.



---

## 2.39. @AACHi

### Description:

This command is used to clear the high latch value for a specific channel of a specified module.

### Syntax:

**@AACHi [CHKSUM](CR)**

- @** Delimiter character
- AA** The address of the module to be cleared in hexadecimal format (00 to FF)
- CH** The command to clear the high latch value
- i** The channel to be cleared, zero based

### Response:

Valid Response: **!AA[CHKSUM](CR)**

Invalid Response: **?AA[CHKSUM](CR)**

- !** Delimiter character for a valid response
- ?** Delimiter character for an invalid response
- AA** The address of the responding module in hexadecimal format (00 to FF)

There will be no response if the command syntax is incorrect, there is a communication error, or there is no module with the specified address.

---

**Examples:**

Command: @01RH1                      Response: !01+06.000  
Reads the high latch value for channel 1 of module 01 and returns a valid response with a value of +06.000 (6 V).

Command: @01CH1                      Response: !01  
Clears the high latch value for channel 1 of module 01 and returns a valid response.

Command: @01RH1                      Response: !01+00.000  
Reads the high latch value for channel 1 of module 01 and returns a valid response with a value of +00.000 (0 V).

Command: @01CHF                      Response: !01  
Attempts to clear the high latch value for channel 15 of module 01 and returns an invalid response because channel 15 does not exist.

**Related Commands:**

Section 2.38 @AACH, Section 2.52 @AARH, Section 2.53 @AARHi

---

## 2.40. @AACHCi

### Description:

This command is used to clear the status of the high alarm for a specific channel of a specified module.

### Syntax:

**@AACHCi [CHKSUM](CR)**

**@** Delimiter character

**AA** The address of the module to be cleared in hexadecimal format (00 to FF)

**CH** The command to clear the status of the high alarm

**Ci** i specifies the channel to be cleared, zero based

### Response:

Valid Response: **!AA[CHKSUM](CR)**

Invalid Response: **?AA[CHKSUM](CR)**

**!** Delimiter character for a valid response

**?** Delimiter character for an invalid response

**AA** The address of the responding module in hexadecimal format (00 to FF)

There will be no response if the command syntax is incorrect, there is a communication error, or there is no module with the specified address.



---

**Examples:**

Command: @01CHC0

Response: !01

Clears the status of the high alarm for channel 0 of module 01 and returns a valid response.

Command: @01CHCF

Response: !01

Attempts to clear the status of the high alarm for channel 15 of module 01, but returns an invalid response because channel 15 does not exist.

**Related Commands:**

Section 2.48 @AAHI(Data)Ci, Section 2.50 @AARAOj

---

## 2.41. @AACL

### Description:

This command is used to clear the low latch value for all channels of a specified module.

### Syntax:

**@AACL [CHKSUM](CR)**

**@** Delimiter character

**AA** The address of the module to be cleared in hexadecimal format (00 to FF)

**CL** The command to clear the low latch values

### Response:

Valid Response: **!AA[CHKSUM](CR)**

Invalid Response: **?AA[CHKSUM](CR)**

**!** Delimiter character for a valid response

**?** Delimiter character for an invalid response

**AA** The address of the responding module in hexadecimal format (00 to FF)

There will be no response if the command syntax is incorrect, there is a communication error, or there is no module with the specified address.



---

## 2.42. @AACLI

### Description:

This command is used to clear the low latch value for a specific channel of specified module.

### Syntax:

**@AACLI [CHKSUM](CR)**

- @** Delimiter character
- AA** The address of the module to be cleared in hexadecimal format (00 to FF)
- CL** The command to clear the low latch value
- i** The channel to be cleared, zero based

### Response:

Valid Response: **!AA[CHKSUM](CR)**

Invalid Response: **?AA[CHKSUM](CR)**

- !** Delimiter character for a valid response
- ?** Delimiter character for an invalid response
- AA** The address of the responding module in hexadecimal format (00 to FF)

There will be no response if the command syntax is incorrect, there is a communication error, or there is no module with the specified address.

---

### **Examples:**

Command: @01RL1 Response: !01-06.000

Reads the low latch value for channel 1 of module 01 and returns a valid response with a value of -06.000 (-6 V).

Command: @01CL1 Response: !01

Clears the low latch value for channel 1 of module 01 and returns a valid response.

Command: @01RL1 Response: !01+00.000

Reads the low latch value for channel 1 of module 01 and returns a valid response with a value of +00.000 (0 V).

### **Related Commands:**

Section 2.41 @AACL, Section 2.55 @AARL, Section 2.56 @AARLi

---

## 2.43. @AACLCi

### Description:

This command is used to clear the status of the low alarm for a specific channel of a specified module.

### Syntax:

**@AACLCi [CHKSUM](CR)**

- @** Delimiter character
- AA** The address of the module to be cleared in hexadecimal format (00 to FF)
- CL** The command to clear the status of the low alarm
- Ci** i specifies the channel to be cleared, zero based

### Response:

Valid Response: **!AA[CHKSUM](CR)**

Invalid Response: **?AA[CHKSUM](CR)**

- !** Delimiter character for a valid response
- ?** Delimiter character for an invalid response
- AA** The address of the responding module in hexadecimal format (00 to FF)

There will be no response if the command syntax is incorrect, there is a communication error, or there is no module with the specified address.

---

**Examples:**

Command: @01CHC7

Response: !01

Clears the low alarm status for channel 7 of module 01 and returns a valid response.

Command: @01CHCF

Response: !01

Attempts to clear the status of the low alarm for channel 15 of module 01 and returns an invalid response because channel 15 does not exist.

**Related Commands:**

Section 2.49 @AALO(Data)Ci, Section 2.50 @AARAOj

---

## 2.44. @AADA

### Description:

This command is used to disable the alarm function of a specified module.

### Syntax:

**@AADA [CHKSUM](CR)**

**@** Delimiter character

**AA** The address of the module to be set in hexadecimal format (00 to FF)

**DA** The command to disable the alarm function

### Response:

Valid Response: **!AA[CHKSUM](CR)**

Invalid Response: **?AA[CHKSUM](CR)**

**!** Delimiter character for a valid response

**?** Delimiter character for an invalid response

**AA** The address of the responding module in hexadecimal format (00 to FF)

There will be no response if the command syntax is incorrect, there is a communication error, or there is no module with the specified address.



---

**Examples:**

Command: @01EAM

Response: !01

Enables the momentary alarm function of module 01 and returns a valid response.

Command: @01DA

Response: !01

Disables the alarm function of module 01 and returns a valid response.

**Related Commands:**

Section 2.47 @AAEAt, Section 2.48 @AAHI(Data)Ci,  
Section 2.49 @AALO(Data)Ci, Section 2.50 @AARAO,  
Section 2.54 @AARHCi, Section 2.57 @AARLCi

---

## 2.45. @AADI

### Description:

This command is used to read the status of the digital input and digital output channels of a specified module.

### Syntax:

**@AADI [CHKSUM](CR)**

**@** Delimiter character

**AA** The address of the module to be read in hexadecimal format (00 to FF)

**DI** The command to read the status of the DI/DO channels

### Response:

Valid Response: **!AASHLL[CHKSUM](CR)**

Invalid Response: **?AA[CHKSUM](CR)**

**!** Delimiter character for a valid response

**?** Delimiter character for an invalid response

**AA** The address of the responding module in hexadecimal format (00 to FF)

**S** The type of alarm  
0: Alarm function is disabled  
1: Momentary alarm  
2: Latched alarm

**HH** A two-digit hexadecimal value to denote the DO status, where bit 0 corresponds to channel 0, bit 1 corresponds to channel 1, etc. When the bit is 0, it denotes that the DO channel has no output, and 1 denotes that the DO channel has output.

---

**LL** A two-digit hexadecimal value to denote the DI status, where bit 0 corresponds to channel 0, bit 1 corresponds to channel 1, etc. When the bit is 0, it denotes that the DI channel has no input, and 1 denotes that the DI channel has input.

There will be no response if the command syntax is incorrect, there is a communication error, or there is no module with the specified address.

**Examples:**

Command: @01DO01                      Response: !01  
Sets digital output channel 0 of module 01 to on, and sets digital output channel 1 of module 01 to off and returns a valid response.

Command: @01DI                      Response: !0100102  
Reads the status of the DI/DO channels of module 01 and returns a response of 010102 indicating that the alarm function is disabled, that DO exists on channel, and that DI exists on channel 1.

**Related Commands:**

Section 2.48 @AAHI(Data)Ci, Section 2.49  
@AALO(Data)Ci, Section 2.46 @AADODD

---

## 2.46. @AADODD

### Description:

This command is used to set the status of the digital output for a specified module.

### Syntax:

**@AADODD[CHKSUM](CR)**

**@** Delimiter character

**AA** The address of the module to be set in hexadecimal format (00 to FF)

**DO** The command to set the digital output ports

**DD** A two-digit hexadecimal value that represent the DO status, where bit 0 corresponds to DO channel 0, bit 1 corresponds to DO channel 1, etc. When the bit is 0, it denotes that the digital output port is off, and 1 denotes that the digital output port is on.

### Response:

Valid Response: **!AA[CHKSUM](CR)**

Invalid Response: **?AA[CHKSUM](CR)**

**!** Delimiter character for a valid response

**?** Delimiter character for an invalid response

**AA** The address of the responding module in hexadecimal format (00 to FF)

There will be no response if the command syntax is incorrect, there is a communication error, or there is no module with the specified address.

---

**Notes:**

1. If the digital output port is already set as an alarm output port, the value written to the port will be ignored.
2. If a Host Watchdog timeout occurs, the module will return an invalid response for this command and the DO value that was sent will be ignored.

**Examples:**

Command: @01DO01

Response: !01

Sets digital output channel 0 of module 01 to on, and sets digital output channel 1 to off and returns a valid response.

Command: @01DI

Response: !0100102

Reads the status of the DI/DO channels of module 01 and returns a response of 010102 indicating that the alarm function is disabled, that DO exists on channel 0, and that DI exists on channel 1.

**Related Commands:**

Section 2.45 @AADI

---

## 2.47. @AAEAt

### Description:

This command is used to set the momentary or latch alarm function on a specified module.

### Syntax:

**@AADA [CHKSUM](CR)**

**@** Delimiter character

**AA** The address of the module to be set in hexadecimal format (00 to FF)

**EA** The command to enable the alarm function

**t** The type of alarm

M: Momentary alarm

L: Latched alarm

### Response:

Valid Response: **!AA[CHKSUM](CR)**

Invalid Response: **?AA[CHKSUM](CR)**

**!** Delimiter character for a valid response

**?** Delimiter character for an invalid response

**AA** The address of the responding module in hexadecimal format (00 to FF)

There will be no response if the command syntax is incorrect, there is a communication error, or there is no module with the specified address.

---

**Examples:**

Command: @01EAM

Response: !01

Enables the momentary alarm function for module 01 and returns a valid response.

Command: @01DA

Response: !01

Disables the alarm function for module 01 and returns a valid response.

**Related Commands:**

Section 2.44 @AADA, Section 2.48 @AAHI(Data)Ci, Section 2.49 @AALO(Data)Ci, Section 2.50 @AARAO, Section 2.54 @AARHCi, Section 2.57 @AARLCi

---

## 2.48. @AAHI(Data)Ci

### Description:

This command is used to set the high alarm limit for a specific channel of a specified module.

### Syntax:

**@AAHI(Data)Ci [CHKSUM](CR)**

- @** Delimiter character
- AA** The address of the module to be set in hexadecimal format (00 to FF)
- HI** The command to set the high alarm
- (Data)** The high alarm limit. This should be consistent with the data format. Refer to Section 1.7 for details.
- Ci** i specifies the channel to be set, zero based

### Response:

Valid Response: **!AA[CHKSUM](CR)**

Invalid Response: **?AA[CHKSUM](CR)**

- !** Delimiter character for a valid response
- ?** Delimiter character for an invalid response
- AA** The address of the responding module in hexadecimal format (00 to FF)



---

There will be no response if the command syntax is incorrect, there is a communication error, or there is no module with the specified address.

**Examples:**

Command: @01HI+09.000C0      Response: !01  
Sets the high alarm limit for channel 0 of module 01 to +09.000 (9 V) and returns a valid response.

Command: @01RHC0      Response: !01+09.000  
Reads the high alarm limit for channel 0 of module 01 and returns a valid response with a value of +09.000 (9V).

Command: @01HI+09.000CF      Response: ?01  
Attempts to set the high alarm limit for channel 15 of module 01 to +09.000 (9 V), but returns an invalid response because channel 15 does not exist.

**Related Commands:**

Section 2.40 @AACHCi, Section 2.50 @AARAOj,  
Section 2.54 @AARHCi

**Related Topics:**

Section 1.7 Configuration Tables

---

## 2.49. @AALO(Data)Ci

### Description:

This command is used to set the low alarm limit for a specific channel of a specified module.

### Syntax:

**@AALO(Data)Ci [CHKSUM](CR)**

- @** Delimiter character
- AA** The address of the module to be set in hexadecimal format (00 to FF)
- LO** The command to set the low alarm
- (Data)** The low alarm limit. This should be consistent with the data format. Refer to Section 1.7 for details.
- Ci** i specifies the channel to be set, zero based

### Response:

Valid Response: **!AA[CHKSUM](CR)**

Invalid Response: **?AA[CHKSUM](CR)**

- !** Delimiter character for a valid response
- ?** Delimiter character for an invalid response
- AA** The address of the responding module in hexadecimal format (00 to FF)

There will be no response if the command syntax is incorrect, there is a communication error, or there is no module with the specified address.

---

**Examples:**

- Command: @01LO-03.000C1      Response: !01  
Sets the low alarm limit for channel 1 of module 01 to -03.000 (-3 V) and returns a valid response.
- Command: @01RLC1      Response: !010-03.000  
Reads the low alarm limit for channel 1 of module 01 and returns a valid response with a value -03.000 (-3 V).
- Command: @01LO-03.000CF      Response: ?01  
Attempts to set the low alarm limit for channel 15 of module 01 to -03.000 (-3 V), but returns an invalid response because channel 15 does not exist.

**Related Commands:**

Section 2.43 @AACLCi, Section 2.50 @AARAOj,  
Section 2.57 @AARLCi

**Related Topics:**

Section 1.7 Configuration Tables

---

## 2.50. @AARAO

### Description:

This command is used to read which currently activated alarms are associated with a specified module.

### Syntax:

**@AARAO[CHKSUM](CR)**

**@** Delimiter character

**AA** The address of the module to be read in hexadecimal format (00 to FF)

**RAO** The command to read the currently activated alarms associated with the module channel

### Response:

Valid Response: **!AAHLL[CHKSUM](CR)**

Invalid Response: **?AA[CHKSUM](CR)**

**!** Delimiter character for a valid response

**?** Delimiter character for an invalid response

**AA** The address of the responding module in hexadecimal format (00 to FF)

**HH** A two-digit hexadecimal value that represents the currently activated high alarms associated with the digital output channel, where bit 0 corresponds to channel 0, bit 1 corresponds to channel 1, etc. When the bit is 0, it denotes that there are no activated high alarms associated with the channel. When the bit is 1, it denotes that there is an activated high alarm associated with the channel.

---

**LL** A two-digit hexadecimal value that represents the currently activated low alarms associated with the digital output channel, where bit 0 corresponds to channel 0, bit 1 corresponds to channel 1, etc. When the bit is 0, it denotes that there are no activated low alarms associated with the channel. When the bit is 1, it denotes that there is an activated low alarm associated with the channel.

There will be no response if the command syntax is incorrect, there is a communication error, or there is no module with the specified address.

**Examples:**

Command: @01RAO                      Response: !010102  
Reads the currently activated alarms associated with module 01. The module returns a valid response with a value of 0102, which denotes that there is currently an activated high alarm associated with channel 0, and an activated low alarm associated with channel 1.

**Related Commands:**

Section 2.40 @AACHCi, Section 2.43 @AACLCi,  
Section 2.48 @AAHI(Data)Ci, Section 2.49  
@AALO(Data)Ci

---

## 2.51. @AARECi

### Description:

This command is used to read the value of the digital input counter for a specific channel of a specified module.

### Syntax:

**@AARECi[CHKSUM](CR)**

**@** Delimiter character

**AA** The address of the module to be read in hexadecimal format (00 to FF)

**RE** The command to read the value of the digital input counter

**Ci** i specifies the channel to be read, zero based

### Response:

Valid Response: **!AA(Data)[CHKSUM](CR)**

Invalid Response: **?AA[CHKSUM](CR)**

**!** Delimiter character for a valid response

**?** Delimiter character for an invalid response

**AA** The address of the responding module in hexadecimal format (00 to FF)

**(Data)** The value of the digital input counter for the specified channel

There will be no response if the command syntax is incorrect, there is a communication error, or there is no module with the specified address.

---

**Examples:**

Command: @01REC1  
!0100000008

Response:

Reads the counter data from channel 1 of module 01 and returns a valid response with a value of 00000008.

Command: @01CEC1

Response: !01

Resets the counter for channel 1 of module 01 to the preset value and returns a valid response.

Command: @01REC1  
!0100000000

Response:

Reads the counter data from channel 1 of module 01 and returns a valid response with a value of 00000000.

**Related Commands:**

Section 2.37 @AAECi

---

## 2.52. @AARH

### Description:

This command is used to read the high latch values for all channels of a specified module.

### Syntax:

**@AARH [CHKSUM](CR)**

**@** Delimiter character

**AA** The address of the module to be read in hexadecimal format (00 to FF)

**RH** The command to read the high latch values for all channels

### Response:

Valid Response: **!AA(Data)[CHKSUM](CR)**

Invalid Response: **?AA[CHKSUM](CR)**

**!** Delimiter character for a valid response

**?** Delimiter character for an invalid response

**AA** The address of the responding module in hexadecimal format (00 to FF)

**(Data)** The high latch values for all channels. See Section 1.7 for details of the data format.

There will be no response if the command syntax is incorrect, there is a communication error, or there is no module with the specified address.



---

### **Examples:**

Command: @01RH

Response:

!01+08.000+00.000+00.000+00.000

Reads the high latch values from all channels of module 01 and returns a valid response with the data in engineering format.

Command: @01CH

Response: !01

Clears the high latch values for all channels of module 01 and returns a valid response.

Command: @01RH

Response:

!01+00.000+00.000+00.000+00.000

Reads the high latch values from all channels of module 01 and returns a valid response with the data in engineering format.

### **Related Commands:**

Section 2.38 @AACH, Section 2.39 @AACHi, Section 2.53 @AARHi

### **Related Topics:**

Section 1.7 Configuration Tables

---

## 2.53. @AARHi

### Description:

This command is used to read the high latch value for a specific channel of a specified module.

### Syntax:

**@AARHi [CHKSUM](CR)**

**@** Delimiter character

**AA** The address of the module to be read in hexadecimal format (00 to FF)

**RH** The command to read the high latch value

**i** The channel to be read, zero based

### Response:

Valid Response: **!AA(Data)[CHKSUM](CR)**

Invalid Response: **?AA[CHKSUM](CR)**

**!** Delimiter character for a valid response

**?** Delimiter character for an invalid response

**AA** The address of the responding module in hexadecimal format (00 to FF)

**(Data)** The high latch value for the specified channel. See Section 1.7 for details of the data format.

There will be no response if the command syntax is incorrect, there is a communication error, or there is no module with the specified address.



---

## 2.54. @AARHCi

### Description:

This command is used to read the status of the high alarm for a specific channel of a specified module.

### Syntax:

**@AARHCi [CHKSUM](CR)**

- @** Delimiter character
- AA** The address of the module to be read in hexadecimal format (00 to FF)
- RH** The command to read the status of the high alarm
- Ci** i specifies the channel to be read, zero based

### Response:

Valid Response: **!AA(Data) [CHKSUM](CR)**

Invalid Response: **?AA[CHKSUM](CR)**

- !** Delimiter character for a valid response
- ?** Delimiter character for an invalid response
- AA** The address of the responding module in hexadecimal format (00 to FF)
- (Data)** The status of the high alarm for the specified channel. See Section 1.7 for details of the data format.

---

There will be no response if the command syntax is incorrect, there is a communication error, or there is no module with the specified address.

**Examples:**

Command: @01HI+08.000C0            Response: !01  
Sets the high alarm limit for channel 0 of module 01 to +08.000 (8 V) and returns a valid response.

Command: @01RHC0                    Response: !01+08.000  
Reads the high alarm limit for channel 0 of module 01 and returns a valid response indicating that the high alarm limit is +08.000 (8 V).

Command: @01RHCF                    Response: ?01  
Attempts to read the high alarm limit for channel 15 of module 01, but returns an invalid response because channel 15 does not exist.

**Related Commands:**

Section 2.40 @AACHCi. Section 2.48 @AAHI(Data)Ci

**Related Topics:**

Section 1.7 Configuration Tables

---

## 2.55. @AARL

### Description:

This command is used to read the low latch values for all channels of a specified module.

### Syntax:

**@AARL [CHKSUM](CR)**

**@** Delimiter character

**AA** The address of the module to be read in hexadecimal format (00 to FF)

**RL** The command to read the low latch values for all channels

### Response:

Valid Response: **!AA(Data)[CHKSUM](CR)**

Invalid Response: **?AA[CHKSUM](CR)**

**!** Delimiter character for a valid response

**?** Delimiter character for an invalid response

**AA** The address of the responding module in hexadecimal format (00 to FF)

**(Data)** The low latch values for all channels. See Section 1.7 for details of the data format.

There will be no response if the command syntax is incorrect, there is a communication error, or there is no module with the specified address.

---

**Examples:**

Command: @01RL

Response:

!01-02.000+00.000+00.000+00.000

Reads the low latch values from all channels of module 01 and returns a valid response with the data in engineering format.

Command: @01CL

Response: !01

Clears the low latch value for all channels of module 01 and returns a valid response.

Command: @01RH

Response:

!01+00.000+00.000+00.000+00.000

Reads the low latch values from all channels of module 01 and returns a valid response with the data in engineering format.

**Related Commands:**

Section 2.41 @AACL, Section 2.42 @AACLi, Section 2.56 @AARLi

**Related Topics:**

Section 1.7 Configuration Tables

---

## 2.56. @AARLi

### Description:

This command is used to read the low latch value for a specific channel of a specified module.

### Syntax:

**@AARLi [CHKSUM](CR)**

**@** Delimiter character

**AA** The address of the module to be read in hexadecimal format (00 to FF)

**RL** The command to read the low latch value

**i** The channel to be read, zero based

### Response:

Valid Response: **!AA(Data)[CHKSUM](CR)**

Invalid Response: **?AA[CHKSUM](CR)**

**!** Delimiter character for a valid response

**?** Delimiter character for an invalid response

**AA** The address of the responding module in hexadecimal format (00 to FF)

**(Data)** The high latch value for the specified channel. See Section 1.7 for details of the data format.

There will be no response if the command syntax is incorrect, there is a communication error, or there is no module with the specified address.



---

**Example:**

Command: @01RL0 Response: !01-02.000

Reads the low latch value for channel 0 of module 01 and returns a valid response with a value of -02.000 (-2 V) in engineering format.

Command: @01RLF Response: ?01

Attempts to read the low latch value for channel 15 of module 01, but returns an invalid response because channel 15 does not exist.

**Related Commands:**

Section 2.41 @AACL, Section 2.42 @AACLi, Section 2.55 @AARL

**Related Topics:**

Section 1.7 Configuration Tables

---

## 2.57. @AARLCi

### Description:

This command is used to read the status of the low alarm for a specific channel of a specified module.

### Syntax:

**@AARLCi [CHKSUM](CR)**

**@** Delimiter character

**AA** The address of the module to be read in hexadecimal format (00 to FF)

**RL** The command to read the status of the low alarm

**Ci** i specifies the channel to be read, zero based

### Response:

Valid Response: **!AA(Data) [CHKSUM](CR)**

Invalid Response: **?AA[CHKSUM](CR)**

**!** Delimiter character for a valid response

**?** Delimiter character for an invalid response

**AA** The address of the responding module in hexadecimal format (00 to FF)

**(Data)** The status of the low alarm for the specified channel. See Section 1.7 for details of the data format.

There will be no response if the command syntax is incorrect, there is a communication error, or there is no module with the specified address.

---

**Example:**

Command: @01LO-03.000C0      Response: !01

Sets the low alarm limit for channel 0 of module 01 to -03.000 (-3 V) and returns a valid response.

Command: @01RLC0      Response: !01-03.000

Reads the status of the low alarm for channel 0 of module 01 and returns a valid response indicating that the low alarm limit is -03.000 (-3 V), the type is momentary and the low alarm output channel is digital output channel 1.

Command: @01RLCF      Response: ?01

Attempts to read the status of the low alarm for channel 15 of module 01, but returns an invalid response because channel 15 does not exist.

**Related Commands:**

Section 2.43 @AACLCi, Section 2.49 @AALO(Data)Ci

**Related Topics:**

Section 1.7 Configuration Tables

---

## 3. Modbus RTU Protocol

The Modbus protocol was developed by Modicon Inc., and was originally developed for Modicon controllers. Detailed information can be found at <http://www.modicon.com/techpubs/toc7.html>. You can also visit <http://www.modbus.org> to find more valuable information.

Function code	Description	Section
02 (0x02)	Reads the digital input status	3.1
04 (0x04)	Reads the analog input channels	3.2
05 (0x05)	Writes a single digital output	3.3
70 (0x46)	Reads/writes the module settings	3.4

### Error Responses

00	Address	1 Byte	1 to 247
01	Function code	1 Byte	Function code   0x80
02	Exception code	1 Byte	01

**Note: If a CRC mismatch occurs, the module will not respond.**

---

## 3.1. Function 02 (0x02)-Read the Digital Input Status

This function code is used to read the status of the wire connection for a module. (Supports types 0x7 and 0x1A only)

### Request

00	Address	1 Byte	1 to 247
01	Function code	1 Byte	0x02
02 ~ 03	Starting channel	2 Bytes	0x20 to 0x24, where 0x20 corresponds to channel 0, 0x21 corresponds to channel 1, etc.
04 ~ 05	Number of input channels (N)	2 Bytes	N, 1 to 5 (Starting channel + N)

### Response

00	Address	1 Byte	1 to 247
01	Function code	1 Byte	0x02
02	Byte count	1 Byte	1
03	Data from input channels	1 Byte	A bit corresponds to a channel. When the bit is 1, it denotes that the channel is either over-range or under-range. If the bit is 0, it denotes that the channel is normal.

### Error Response

00	Address	1 Byte	1 to 247
01	Function code	1 Byte	0x82
02	Exception code	1 Byte	03: (the starting channel + the number of input channels) is out of range, or an incorrect number of bytes were received.

---

## 3.2. Function 04 (0x04)-Read the Analog Input Channels

This function code is used to read from contiguous analog input channels.

### Request

00	Address	1 Byte	1 to 247
01	Function code	1 Byte	0x04
02 ~ 03	Starting channel	2 Bytes	0 to 3
04 ~ 05	Number of input channels (N)	2 Bytes	N, 1 to 4 (Starting channel + N)

### Response

00	Address	1 Byte	1 to 247
01	Function code	1 Byte	0x04
02	Byte count	1 Byte	2 x N
03 ~	Data from input channels	2 x N Bytes	Data is in either 2's complement hex format or engineering format.

### Error Response

00	Address	1 Byte	1 to 247
01	Function code	1 Byte	0x84
02	Exception code	1 Byte	03: (The starting channel + the number of input channels) is out of range, or an incorrect number of bytes were received.

---

### 3.3. Function 05 (0x05)-Write a Single Digital Output

This function code is used to write from contiguous digital output channels.

#### Request

00	Address	1 Byte	1 to 247
01	Function code	1 Byte	0x05
02 ~ 03	Starting channel	2 Bytes	0 to 3
04 ~ 05	Data	2 Bytes	FF00h for ON and 0000h for OFF

#### Response

00	Address	1 Byte	1 to 247
01	Function code	1 Byte	0x04
02 ~ 03	Byte count	1 Byte	0 to 3
04 ~ 05	Data	2 Bytes	FF00h for ON and 0000h for OFF

#### Error Response

00	Address	1 Byte	1 to 247
01	Function code	1 Byte	0x85
02	Exception code	1 Byte	03: (The starting channel + the number of input channels) is out of range, or an incorrect number of bytes were received.

---

## 3.4. Function 70 (0x46)-Read/Write Module Settings

This function code is used to either read or change the settings of the module. The following sub-function codes are supported.

Sub-function Code	Description	Section
00 (0x00)	Reads the name of the module	3.4.1
04 (0x04)	Sets the address	3.4.2
05 (0x05)	Reads the communication settings	3.4.3
06 (0x06)	Sets the communication settings	3.4.4
07 (0x07)	Reads the type code	3.4.5
08 (0x08)	Sets the type code	3.4.6
32 (0x20)	Reads the firmware version information	3.4.7
37 (0x25)	Reads the enabled/disabled status of all channels	3.4.8
38 (0x26)	Sets the channel to either enabled or disabled	3.4.9
41 (0x29)	Reads the miscellaneous settings	3.4.10
42 (0x2A)	Writes the miscellaneous settings	3.4.11

If the module does not support the sub-function code specified in the message, then it will respond as follows:

### Error Response

00	Address	1 Byte	1 to 247
01	Function code	1 Byte	0xC6
02	Exception code	1 Byte	02: Indicates an invalid sub-function code



---

### 3.4.1 Sub-function 00 (0x00)-Read the name of the module

This sub-function code is used to read the name of a module.

#### Request

00	Address	1 Byte	1 to 247
01	Function code	1 Byte	0x46
02	Sub-function code	1 Byte	0x00

#### Response

00	Address	1 Byte	1 to 247
01	Function code	1 Byte	0x46
02	Sub-function code	1 Byte	0x00
03 ~ 06	Module name	4 Bytes	0x00 0x70 0x02 0x00

#### Error Response

00	Address	1 Byte	1 to 247
01	Function code	1 Byte	0xC6
02	Exception code	1 Byte	03: An incorrect number of bytes were received

---

### 3.4.2 Sub-function 04 (0x04)-Set the module address

This sub-function code is used to set the address of a module.

#### Request

00	Address	1 Byte	1 to 247
01	Function code	1 Byte	0x46
02	Sub-function code	1 Byte	0x04
02	New address	1 Byte	1 to 247
04 ~ 06	Reserved	3 Bytes	0x00 0x00 0x00

#### Response

00	Address	1 Byte	1 to 247
01	Function code	1 Byte	0x46
02	Sub-function code	1 Byte	0x04
03	Set address result	1 Byte	0: OK, others: error
04 ~ 06	Reserved	3 Bytes	0x00 0x00 0x00

#### Error Response

00	Address	1 Byte	1 to 247
01	Function code	1 Byte	0xC6
02	Exception code	1 Byte	03: The new address is out of range, reserved bits should be filled with zero, or an incorrect number of bytes were received

---

### 3.4.3 Sub-function 05 (0x05)-Read the communication settings

This sub-function code is used to read the communication protocol settings for a module.

#### Request

00	Address	1 Byte	1 to 247
01	Function code	1 Byte	0x46
02	Sub-function code	1 Byte	0x05
03	Reserved	1 Byte	0x00

#### Response

00	Address	1 Byte	1 to 247
01	Function code	1 Byte	0x46
02	Sub-function code	1 Byte	0x05
03	Reserved	1 Byte	0x00
04	Baud Rate	1 Byte	Baud Rate code, see Section 1.7 for details.
05 ~ 07	Reserved	3 Bytes	0x00 0x00 0x00
08	Mode	1 Byte	0: DCON protocol 1: Modbus RTU protocol
09 ~ 10	Reserved	2 Bytes	0x00 0x00

#### Error Response

00	Address	1 Byte	1 to 247
01	Function code	1 Byte	0xC6
02	Exception code	1 Byte	03: Reserved bits should filled with zero, or an incorrect number of bytes were received

---

### 3.4.4 Sub-function 06 (0x06)-Set the communication settings

This sub-function code is used to set the communication protocol settings for a module.

#### Request

00	Address	1 Byte	1 to 247
01	Function code	1 Byte	0x46
02	Sub-function code	1 Byte	0x06
03	Reserved	1 Byte	0x00
04	Baud Rate	1 Byte	Baud Rate code, see Section 1.7 for details.
05 ~ 07	Reserved	3 Bytes	0x00 0x00 0x00
08	Mode	1 Byte	0: DCON protocol 1: Modbus RTU protocol
09 ~ 10	Reserved	2 Bytes	0x00 0x00
11	Reserved	1 Bytes	0x00

#### Response

00	Address	1 Byte	1 to 247
01	Function code	1 Byte	0x46
02	Sub-function code	1 Byte	0x06
03	Reserved	1 Byte	0x00
04	Baud Rate	1 Byte	0: OK, others: error
05 ~ 07	Reserved	3 Bytes	0x00 0x00 0x00
08	Mode	1 Byte	0: OK, others: error
09 ~ 10	Reserved	2 Bytes	0x00 0x00

#### Error Response

00	Address	1 Byte	1 to 247
01	Function code	1 Byte	0xC6
02	Exception code	1 Byte	03: The Baud Rate or the module address is out of range, reserved bits should be filled with zero, or an incorrect number of bytes were received

---

### 3.4.5 Sub-function 07 (0x07)-Read the type code

This sub-function code is used to read the type code information for a module.

#### Request

00	Address	1 Byte	1 to 247
01	Function code	1 Byte	0x46
02	Sub-function code	1 Byte	0x07
03	Reserved	1 Byte	0x00
04	Channel	1 Byte	0x00 ~ 0x03

#### Response

00	Address	1 Byte	1 to 247
01	Function code	1 Byte	0x46
02	Sub-function code	1 Byte	0x07
03	Type code	1 Byte	The type code, see Section 1.7 for details.

#### Error Response

00	Address	1 Byte	1 to 247
01	Function code	1 Byte	0xC6
02	Exception code	1 Byte	03: The channel number is out of range reserved bits should be filled with zero, or an incorrect number of bytes were received

---

### 3.4.6 Sub-function 08 (0x08)-Set the type code

This sub-function code is used to set the type code for a module.

#### Request

00	Address	1 Byte	1 to 247
01	Function code	1 Byte	0x46
02	Sub-function code	1 Byte	0x08
03	Reserved	1 Byte	0x00
04	Channel	1 Byte	0x00 ~ 0x03
05	Type code	1 Byte	The type code, see Section 1.7 for details.

#### Response

00	Address	1 Byte	1 to 247
01	Function code	1 Byte	0x46
02	Sub-function code	1 Byte	0x08
03	Type code	1 Byte	0: OK, others: error

#### Error Response

00	Address	1 Byte	1 to 247
01	Function code	1 Byte	0xC6
02	Exception code	1 Byte	03: The type code is out of range, the channel is out of range, reserved bits should be filled with zero, or an incorrect number of bytes were received

---

### 3.4.7 Sub-function 32 (0x20)-Read the firmware version information

This sub-function code is used to read the firmware version information for a module.

#### Request

00	Address	1 Byte	1 to 247
01	Function code	1 Byte	0x46
02	Sub-function code	1 Byte	0x20

#### Response

00	Address	1 Byte	1 to 247
01	Function code	1 Byte	0x46
02	Sub-function code	1 Byte	0x20
03	Major version	1 Byte	0x00 ~ 0xFF
04	Minor version	1 Byte	0x00 ~ 0xFF
05	Reserved	1 Byte	0x00
06	Build version	1 Byte	0x00 ~ 0xFF

#### Error Response

00	Address	1 Byte	1 to 247
01	Function code	1 Byte	0xC6
02	Exception code	1 Byte	03: An incorrect number of bytes were received, reserved bits should be filled with zero

---

### 3.4.8 Sub-function 37 (0x25)-Read the channel enabled/disabled status

This sub-function code is used to read whether each channel of a module is enabled or disabled.

#### Request

00	Address	1 Byte	1 to 247
01	Function code	1 Byte	0x46
02	Sub-function code	1 Byte	0x25

#### Response

00	Address	1 Byte	1 to 247
01	Function code	1 Byte	0x46
02	Sub-function code	1 Byte	0x25
03	Enabled/disabled status	1 Byte	0x00 ~ 0x0F, the enabled/disabled status of each channel, where bit 0 corresponds to channel 0, bit 1 corresponds to channel 1, etc. When the bit is 0, it denotes that the channel is disabled and 1 denotes that the channel is enabled.

#### Error Response

00	Address	1 Byte	1 to 247
01	Function code	1 Byte	0xC6
02	Exception code	1 Byte	03: An incorrect number of bytes were received



---

### 3.4.9 Sub-function 38 (0x26)-Set the channel to either enabled or disabled

This sub-function code is used to specify which channels of a module are to be enabled or disabled.

#### Request

00	Address	1 Byte	1 to 247
01	Function code	1 Byte	0x46
02	Sub-function code	1 Byte	0x26
03	Enabled/disabled settings	1 Byte	0x00 ~ 0x0F, the enabled/disabled settings for each channel, where bit 0 corresponds to channel 0, bit 1 corresponds to channel 1, etc. When the bit is 0, it denotes that the channel is to be disabled and 1 denotes that the channel is to be enabled.

#### Response

00	Address	1 Byte	1 to 247
01	Function code	1 Byte	0x46
02	Sub function code	1 Byte	0x26
03	Enabled/disabled settings	1 Byte	0: OK, others: error.

#### Error Response

00	Address	1 Byte	1 to 247
01	Function code	1 Byte	0xC6
02	Exception code	1 Byte	03: The enabled/disabled settings are out of range, or an incorrect number of bytes were received

---

### 3.4.10 Sub-function 41 (0x29)-Read the miscellaneous settings

This sub-function code is used to read the miscellaneous settings for a module.

#### Request

00	Address	1 Byte	1 to 247
01	Function code	1 Byte	0x46
02	Sub-function code	1 Byte	0x29

#### Response

00	Address	1 Byte	1 to 247
01	Function code	1 Byte	0x46
02	Sub-function code	1 Byte	0x29
03	Miscellaneous settings	1 Byte	Bit 7: Filter settings 0: 60 Hz rejection 1: 50 Hz rejection Bit 6: Reserved Bit 5: Mode settings 0: Normal mode 1: Fast mode Bits 4 ~ 0: Reserved

#### Error Response

00	Address	1 Byte	1 to 247
01	Function code	1 Byte	0xC6
02	Exception code	1 Byte	03: An incorrect number of bytes were received

---

### 3.4.11 Sub-function 42 (0x2A)-Write the miscellaneous settings

This sub-function code is used to set the miscellaneous settings for a module.

#### Request

00	Address	1 Byte	1 to 247
01	Function code	1 Byte	0x46
02	Sub-function code	1 Byte	0x2A
03	Miscellaneous settings	1 Byte	Bit 7: Filter settings 0: 60 Hz rejection 1: 50 Hz rejection Bit 6: Reserved Bit 5: Mode settings 0: Normal mode 1: Fast mode Bits 4 ~ 0: Reserved

#### Response

00	Address	1 Byte	1 to 247
01	Function code	1 Byte	0x46
02	Sub-function code	1 Byte	0x2A
03	Miscellaneous settings	1 Byte	0: OK, others: error

#### Error Response

00	Address	1 Byte	1 to 247
01	Function code	1 Byte	0xC6
02	Exception code	1 Byte	03: Reserved bits should be filled with zero, or an incorrect number of bytes were received

### 3.5. Address Mappings

The address mappings are as follows:

Address	Description	Attribute
00001 ~ 00004	Digital output	R/W
00065 ~ 00069	Digital input latch high	R/W
00073 ~ 00076	Digital output latch high	R/W
00097~ 00101	Digital input latch low	R/W
00105 ~ 00108	Digital output latch low	R/W
00129 ~ 00132	Digital output safe value	R/W
00193 ~ 00196	Digital output power-on value	R/W
00257	Communication protocol 0: DCON, 1:Modbus RTU	R/W
00259	Filter settings, 0: 60 Hz rejection, 1: 50 Hz rejection	R/W
00260	Host Watchdog mode 0: The same as I-7000 series module 1: AO and DO commands can be used to clear the Host Watchdog timeout status	R/W
00261	Enables or disables the Host Watchdog 0: disabled, 1: enabled	R/W
00262	Enables or disables the alarm function 0: disabled, 1: enabled	R/W
00263	Alarm mode 0: momentary, 1: latch	R/W
00264	Clear DI/O latch, write 1 to clear	W
00265	Clear all DI counters, write 1 to clear	W
00269	Modbus data format 0: hexadecimal 1: engineering	R/W
00270	Host Watchdog timeout status. Write 1 to clear the Host Watchdog timeout	R/W

	status	
00271	AI filter format 0: normal, 1: fast	R/W
00272	Write 1 to load the factory calibration parameters	W
00273	Reset status 0: not the first the status has been read after being powered on 1: the first time the status has been read after being powered on	R
00289 ~ 00292	Low alarm status of channels 0 to 3, write 1 to clear	R/W
00305 ~ 00308	High alarm status of channels 0 to 3, write 1 to clear	R/W
00513 ~ 00517	Digital input counter channel 0 to 4, write 1 to clear	W
10033 ~ 10037	Digital input status for channels 0 to 4	R
30001 ~ 30004	Analog input value for channels 0 to 3	R
30097 ~ 30101	Digital input counter for channels 0 to 4	R
40225 ~ 40228	High alarm value	R/W
40233 ~ 40236	Low alarm value	R/W
40257 ~ 40260	Type code for channels 0 to 3	R/W
40481	Firmware version (low word)	R
40482	Firmware version (high word)	R
40483	The name of the module (low word)	R
40484	The name of the module (high word)	R
40485	Module address, valid range: 0x1 ~ 0xF7	R
40486	Bits 5:0 Baud Rate, 0x0A Bits 7:6 Reserved	R
40488	Response delay time, 0~30, in ms	R/W
40489	Host Watchdog timeout value, 0 ~ 255, in 0.1s	R/W
40490	Channel enabled/disabled	R/W

---

40492	Host Watchdog timeout count, write 0 to clear	R/W
-------	---	-----

Note:

The command to load the factory calibration parameters takes about 3 seconds to be processed. The next command should not be sent before this time has elapsed.

---

### 3.6. Engineering Data Format Table

The Modbus protocol supports engineering data format and the type code information is as follows.

Type Code	Analog Input Type	-F.S.	+F.S.
07	+4 to +20 mA	4000	20000
08	-10 to +10 V	-10000	10000
09	-5 to +5 V	-5000	5000
0A	-1 to +1 V	-10000	10000
0B	-500 to +500 mV	-5000	5000
0C	-150 to +150 mV	-15000	15000
0D	-20 to +20 mA	-20000	20000
1A	0 to +20 mA	0	20000

The under-range value is  $-32768$  and the over-range value is  $+32767$ . For hexadecimal data format, please refer to Section 1.7 for details.

---

## 4. Troubleshooting

If you are having difficulty using the M-7002 module, here are some suggestions that may help. If you cannot find the answers you need in this guide, contact ICP DAS Product Support.

### 4.1. Communicating with the module

If you attempt to communicate with the module and receive no response, first check the following:

- Ensure that the supplied power is within the range of +10 to +30 V<sub>DC</sub>. If the supplied power is sufficient, then the power LED should be on.
- When the module receives a command, the power LED will be set to “off”. The power LED will be shown as “on” after the module responds. This method can be used to check whether the module has received a command sent from the host.
- If possible, use another device that is known to be functional to check whether the host can communicate with the device through the same network.
- If the host is a PC installed with a Windows operating system, then execute the DCON Utility to determine whether the module can be found. The DCON Utility can be downloaded from the ICP DAS website at <http://www.icpdas.com>. Documentation for the DCON Utility can be found in the “**Getting Started For I-7000 Series Modules**” manual.
- Set the module to the “INIT mode” and communicate with the module using the following settings: address 00 and DCON protocol. See Section 1.7 for more details related to configuration settings.



---

## 4.2. Reading Data

If the data read from the input channel is not correct, first check the following:

- Ensure that the type code and data format settings are correct. The type code is set by using the \$AA7CiRrr command, see Section 2.12 for details. The data format is set by using the %AANNTTCCFF command (see Section 2.1). If you are using the Modbus RTU protocol, the type code is set by using sub-function 08h of the function 46h.
- If the voltage read by the module is incorrect, then it may be because the calibration parameters stored in the non-volatile memory are corrupted. You can calibrate the module by yourself, but be sure to read Section 1.6 for details before performing any calibration. Use the \$AAS1 command to reload the factory calibration parameters, see Section 2.21 for details.

---

## 5. Appendix

### 5.1. INIT Mode

Each I-7000 and M-7000 module has a built-in EEPROM that can be used to store configuration information, such as the module address, Type Code, and Baud Rate, etc. Occasionally, the configuration of a module may be forgotten and there may be no visual indications of the configuration of the module. It is difficult to communicate with the module when the configuration of the module is unknown. To help avoid this problem, the I-7000 and M-7000 series has a special mode called “INIT mode”. When the module is powered on in “INIT mode” the configuration of the module is reset to the default settings shown below, allowing it to be operated as normal.

1. Address: 00
2. Baud Rate: 9600 bps
3. No checksum
4. Protocol: DCON

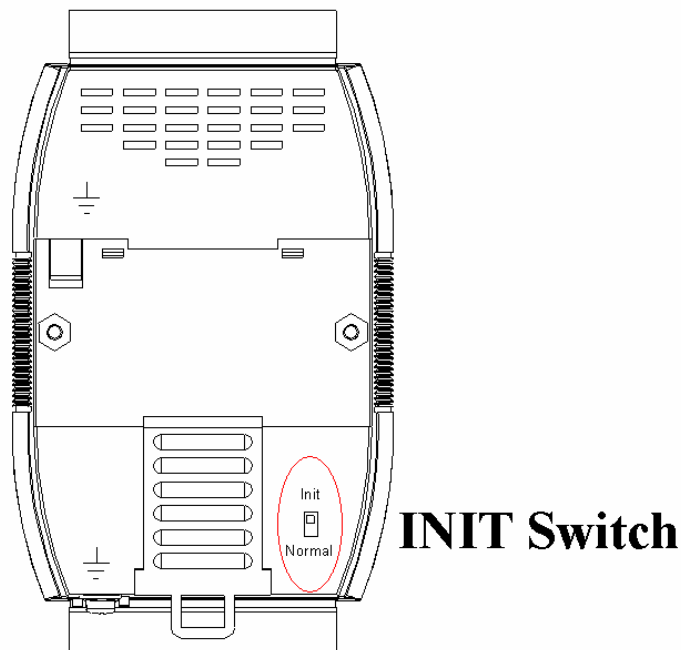
The configuration information stored in the EEPROM is not changed and can be read by sending the \$AA2(CR) command at 9600 bps.

There are also other commands that require the module to set to INIT mode before being used. They are:

1. %AANN TTCCFF, which is used when changing the Baud Rate and checksum settings. See Section 2.1 for details.
2. \$AAPN, see Section 2.20 for details.

---

Originally, INIT mode was accessed by connecting the INIT\* terminal to the GND terminal. Newer I-7000 and M-7000 modules have an INIT switch located on the rear of the module to allow easier access to INIT mode. For these modules, INIT mode is accessed by sliding the INIT switch to the Init position, as shown below.



---

## 5.2. Dual Watchdog Operation

### Dual Watchdog = Module Watchdog + Host Watchdog

The Module Watchdog is a hardware reset circuit that monitors the operating status of the module. While working in harsh or noisy environments, the module may be shut down by external signals. The Watchdog circuit allows the module to work continuously without disruption.

The Host Watchdog is a software function that monitors the operating status of the host. Its purpose is to prevent problems due to network/communication errors or host malfunctions. When a Host Watchdog timeout occurs, the module will reset all outputs to a safe state in order to prevent the controlled target from performing any erroneous operations.

I-7000 series modules include an internal Dual Watchdog, making the control system more reliable and stable.

For more information regarding the Dual Watchdog, please refer to Chapter 5 of the “Getting Started For M-7002 Modules” manual that can be downloaded from the ICP DAS website

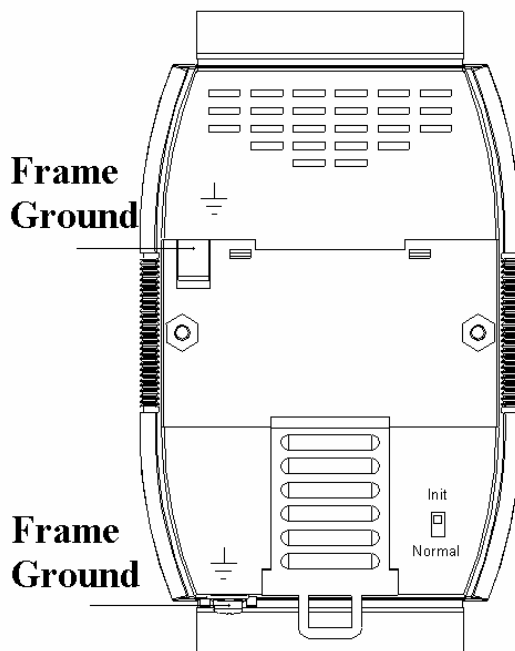
---

## 5.3. Frame Ground

Electronic circuits are constantly vulnerable to Electrostatic Discharge (ESD), which becomes worse in a continental climate area. Some I-7000 and M-7000 modules feature a new design for the frame ground, which provides a path for bypassing ESD, allowing enhanced static protection (ESD) capabilities and ensures that the module is more reliable.

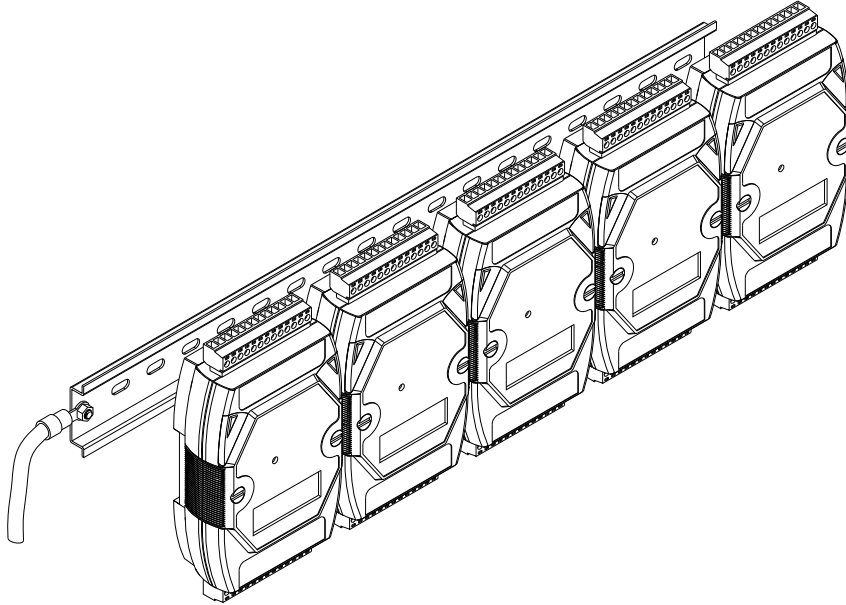
Either of the following options will provide better protection for the module:

1. If the module is DIN-Rail mounted, connect the DIN-Rail to the earth ground. This is because the DIN-Rail is in contact with the upper frame ground, as shown in the figure below.
2. Alternatively, connect the lower frame ground terminal to a wire and connect the wire to the earth ground, as shown in the figure below.



---

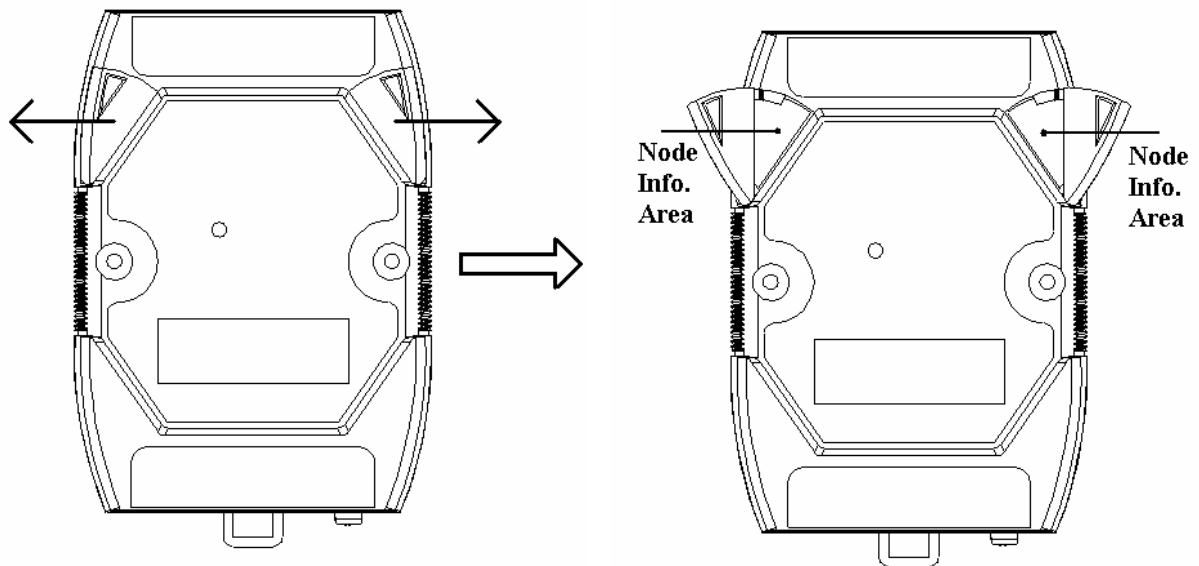
New DIN-Rail models are available that can easily be connected to the earth ground. Each rail is made of stainless steel, which is stronger than those made of aluminum. There is a screw at one end and a ring terminal is included, as shown in the figure below.



---

## 5.4. Node Information Area

Each I-7000 and M-7000 module has a built-in EEPROM that can be used to store configuration information, such as the module address, Type Code, and Baud Rate, etc. One minor drawback is that there may be no visual indications of the configuration of the module. Newer I-7000 and M-7000 modules include node information areas that are protected by a cover, as shown below, and can be used to make a written record of the node information, such as module address and Baud Rate, etc. To access the node information areas, first slide the covers outward, as shown in the figure below.



---

## 5.5. Reset Status

The reset status of a module is set when the module is powered on, or when the module is reset by the Module Watchdog, and is cleared after responding to the first \$AA5 command. This can be used to check whether the module has recently been reset. If the response from the \$AA5 command indicates that the reset status has been cleared, it means that the module has not been reset since the last \$AA5 command was sent. If the response from the \$AA5 command indicates that the reset status is set and it is not the first time an \$AA5 command has been sent, it means that the module has been reset and the digital output value has been changed to either the default power-on value or the safe value.