

PIR-230-WF Quick Start

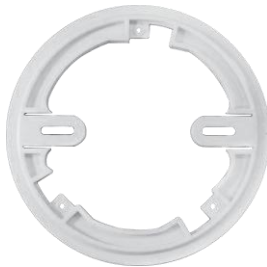
Dec. 2018
Version 1.0.0

1

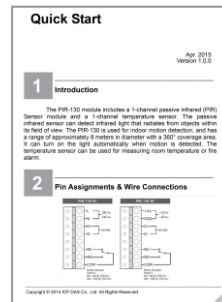
Package Contents



PIR-230-WF
Module



Mounting Plate



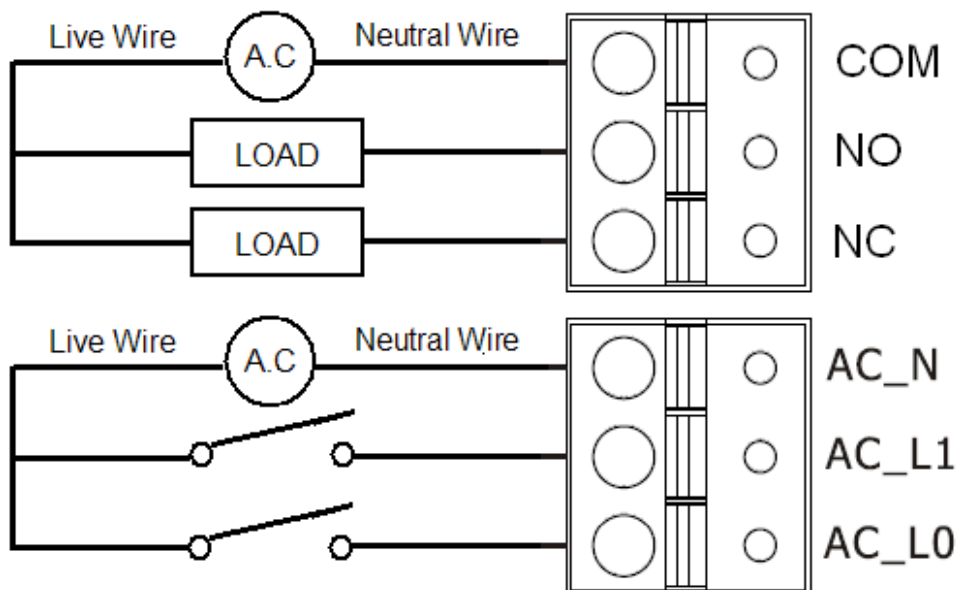
Quick Start



M4x12 Drywall
Screws x 2

2

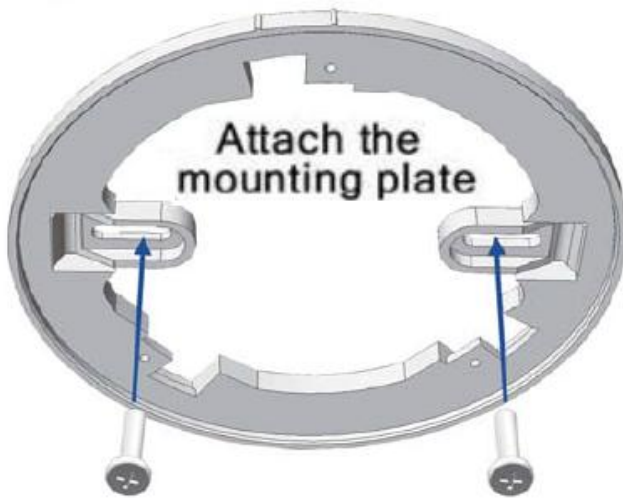
Wire Connections



3

Installation

①



② Align locking guides



③ Turn the cover clockwise



④ Lock the cover in place



4

Powering-on the PIR-230-WF logger

The factory default settings for Wi-Fi communication of the PIR-230-WF are as follows.

- Mode: **AP**
- Wireless Security: WPA/WPA2, "00000000"
- DHCP Server (AP Mode): DHCP Server on, start IP:
192.168.255.2
- Wi-Fi Channel (AP Mode): 11
- IP Address: 192.168.255.1
- Gateway Address: 192.168.255.254
- Subnet Mask: 255.255.0.0
- SSID: PIR-230-WF
- Modbus TCP Port: 502

The Wi-Fi IIOT Utility is provided to configure and test the PIR-230-WF module through the Wi-Fi interface. Please refer to chapter 4 of the user manual for details.

You can also use a browser to configure and test the PIR-230-WF module through the Ethernet interface. Please refer to chapter 3 of the

5

Technical Support

user manual for details.

- User Manual and Utility

[http://ftp.icpdas.com/pub/cd/IIoT/PIR-200/document/User Manual](http://ftp.icpdas.com/pub/cd/IIoT/PIR-200/document/UserManual)

<http://ftp.icpdas.com/pub/cd/IIoT/utility/>

- Product Website

[http://www.icpdas.com/root/product/solutions/remote io/rs-485/sensor series/pir-230.html](http://www.icpdas.com/root/product/solutions/remote_io/rs-485/sensor_series/pir-230.html)

- E-mail

service@icpdas.com