



# How to Install the Expansion I/O Socket

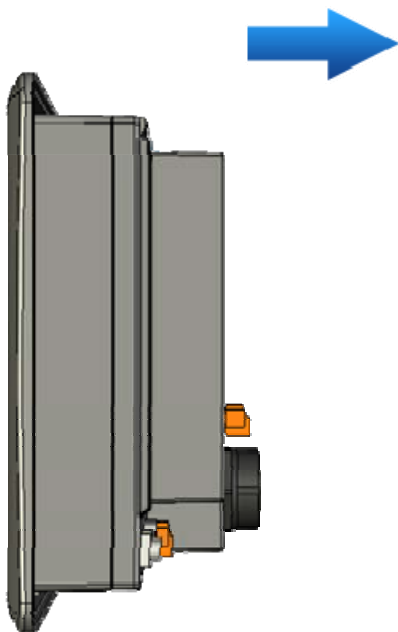
v1.2, August 2017

The ViewPAC (including VP-211x, VP-23Wx and VP-25Wx) have a slot cover to protect the internal components from damage during shipping. Before starting any installation, please first remove the slot cover.

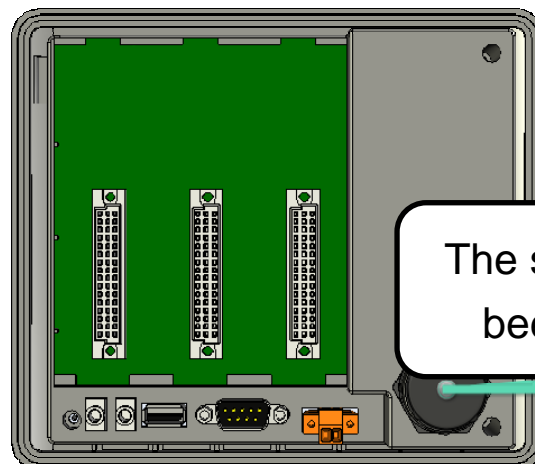


## Step 1: Remove the slot Cover

The ViewPAC has a slot cover to protect the internal components from damage during shipping.



- 1) Hold the top of ViewPAC
- 2) Pull the plastic wrap

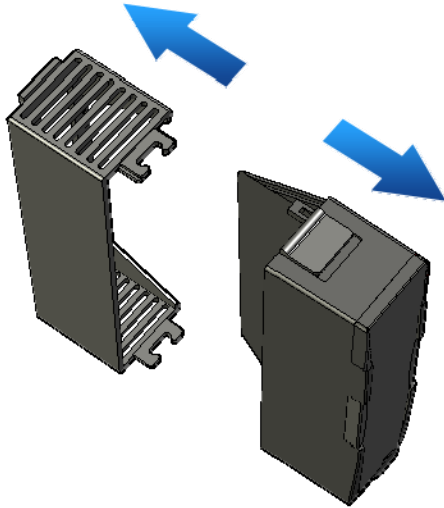


The slot cover has been removed

## Step 2: Installing the Expansion I/O Sockets

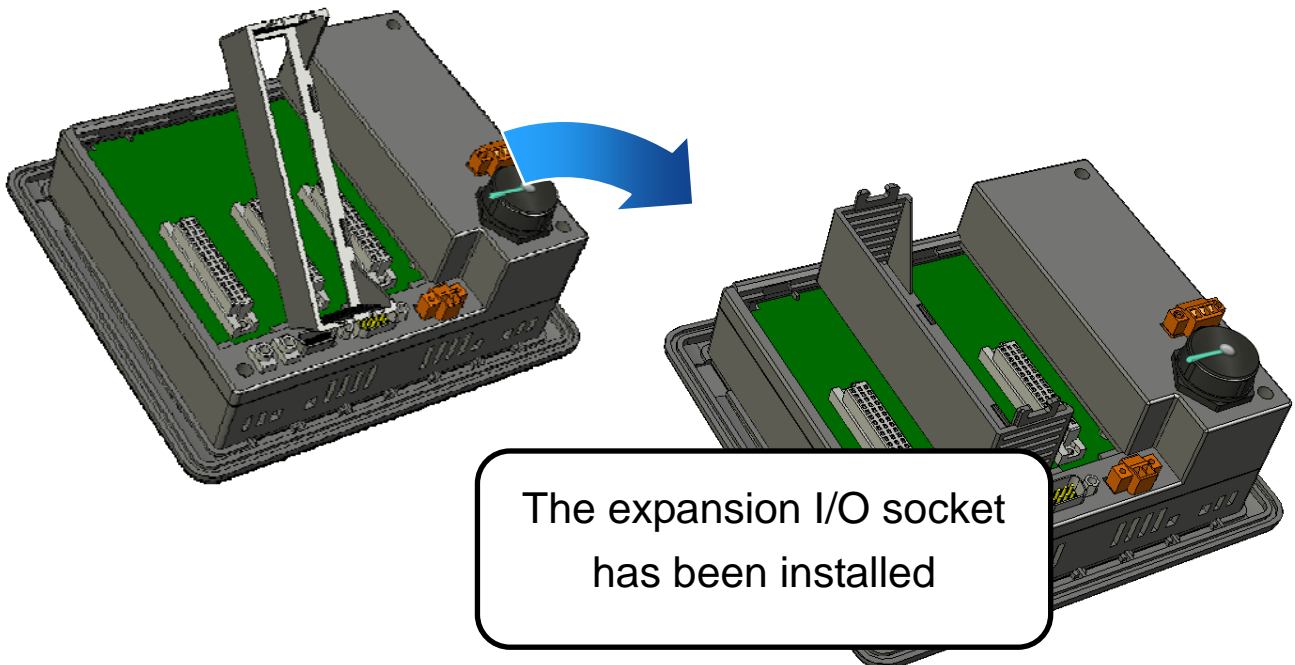
The case (a socket and a top case) is included in the package.

- 1) Take the socket out from the case



- 2) Padlock the bottom of the socket into the ViewPAC

- 3) Slide the socket into the ViewPAC until it clicks



If there is any other question, please feel free to contact us.

Email: [service@icpdas.com](mailto:service@icpdas.com)