

Quick Start for ECAT-2061

English / Jan.2017/ Ver 1.0

1 Shipping Package

This shipping package contains the following items

1 x ECAT-2000 module

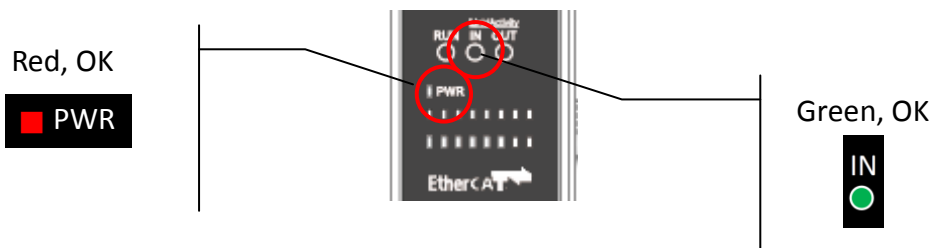
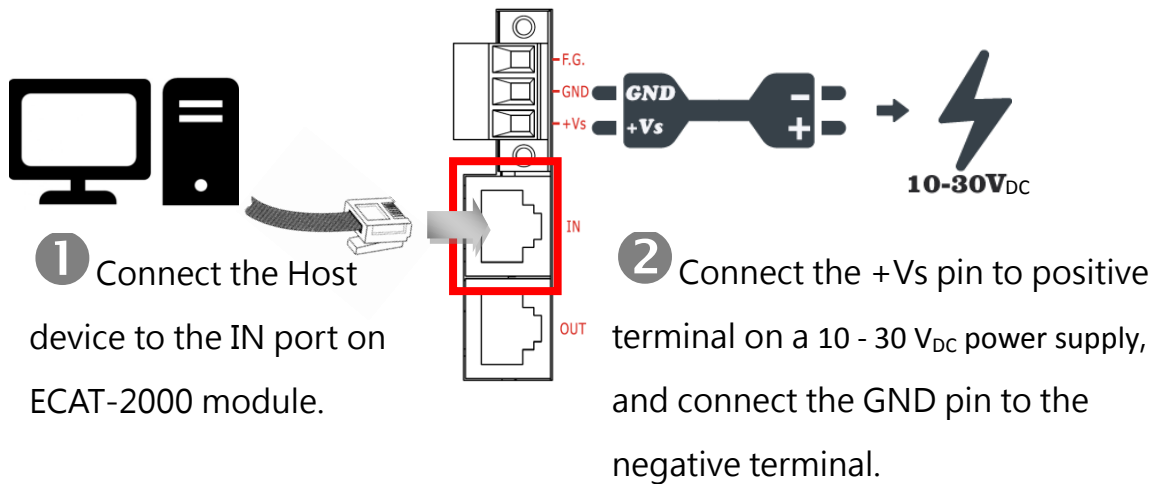


1 x Quick Start Guide (This Document)



2 Connecting the Power and Host device

Switch on module and connect it to an EtherCAT network



3 Search Modules



ESI file

The latest ESI file (ICPDAS ECAT-2000.xml) can be downloaded from ICP DAS website at

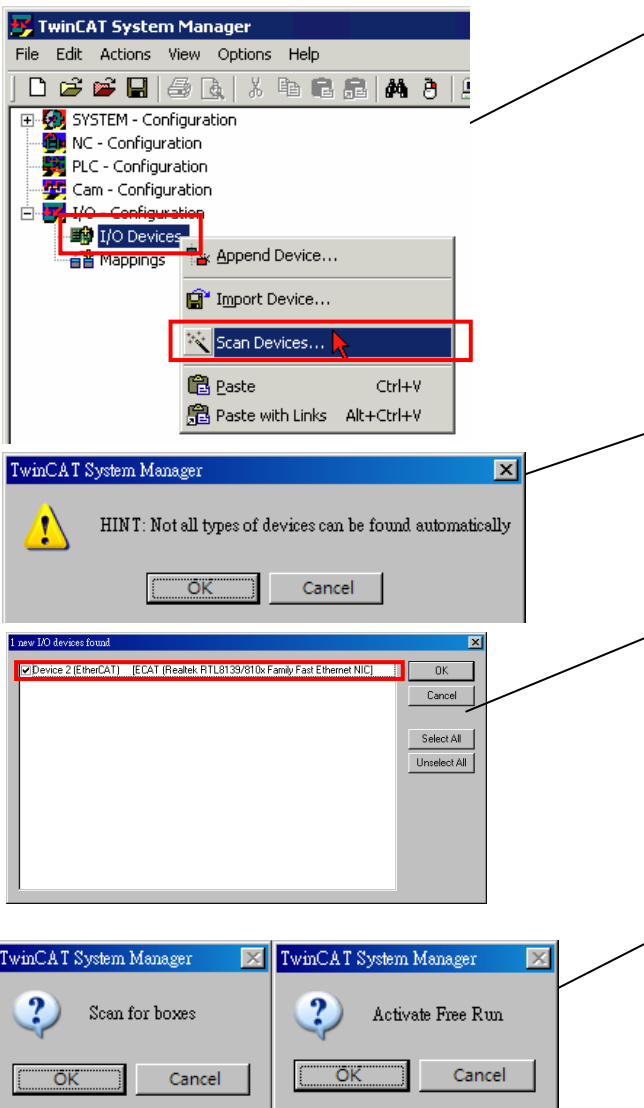
 http://ftp.icpdas.com/pub/cd/fieldbus_cd/ethercat/slave/ecat-2000/software/

Install the ESI file

Copy the “ICPDAS ECAT-2000.xml” file to the Master Tools installation folder, as indicated in the table below.

Software	Default Path
Beckhoff EtherCAT Configuration	C:\EtherCAT Configurator\EtherCAT
Beckhoff TwinCAT 3.X	C:\TwinCAT\3.x\Config\Io\EtherCAT
Beckhoff TwinCAT 2.X	C:\TwinCAT\Io\EtherCAT

Run the EtherCAT Master software (Beckhoff TwinCAT 2.X)



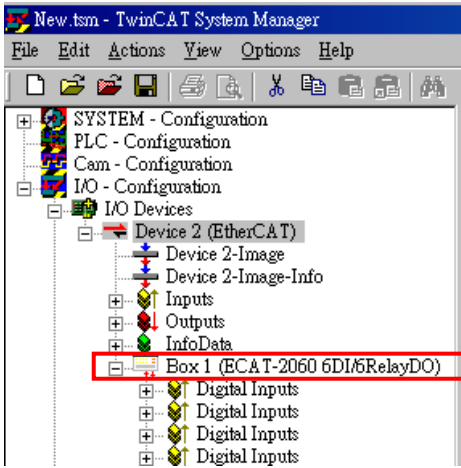
Switch on power

Execute the TwinCAT System Manager(Config mode)
I/O Devices-> Right click-> Scan Devices...

Click OK

Choose the correct network device which is
connected to ECAT-2000

Click Yes to start scanning and click Yes to
activate the free run mode for TwinCAT system
manager

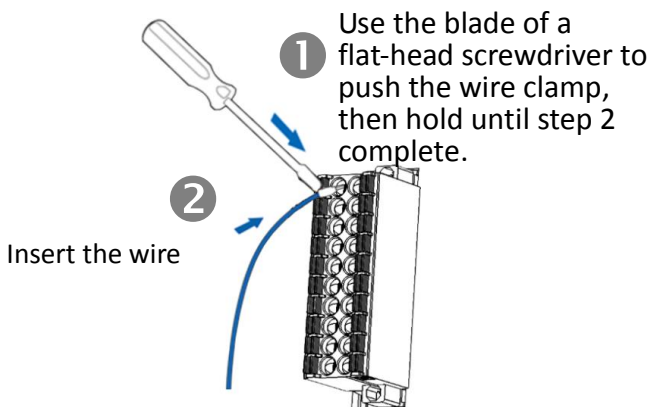


ECAT-2000 is now shown in the TwinCAT system Manager

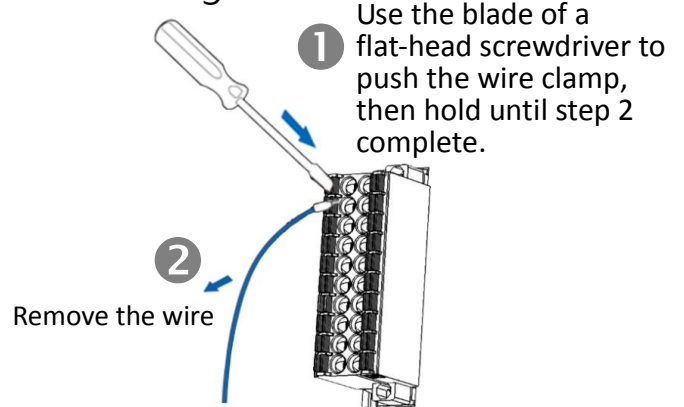
4 Wiring to the connector

Wiring Tip

Connection the wire



Removing the wire

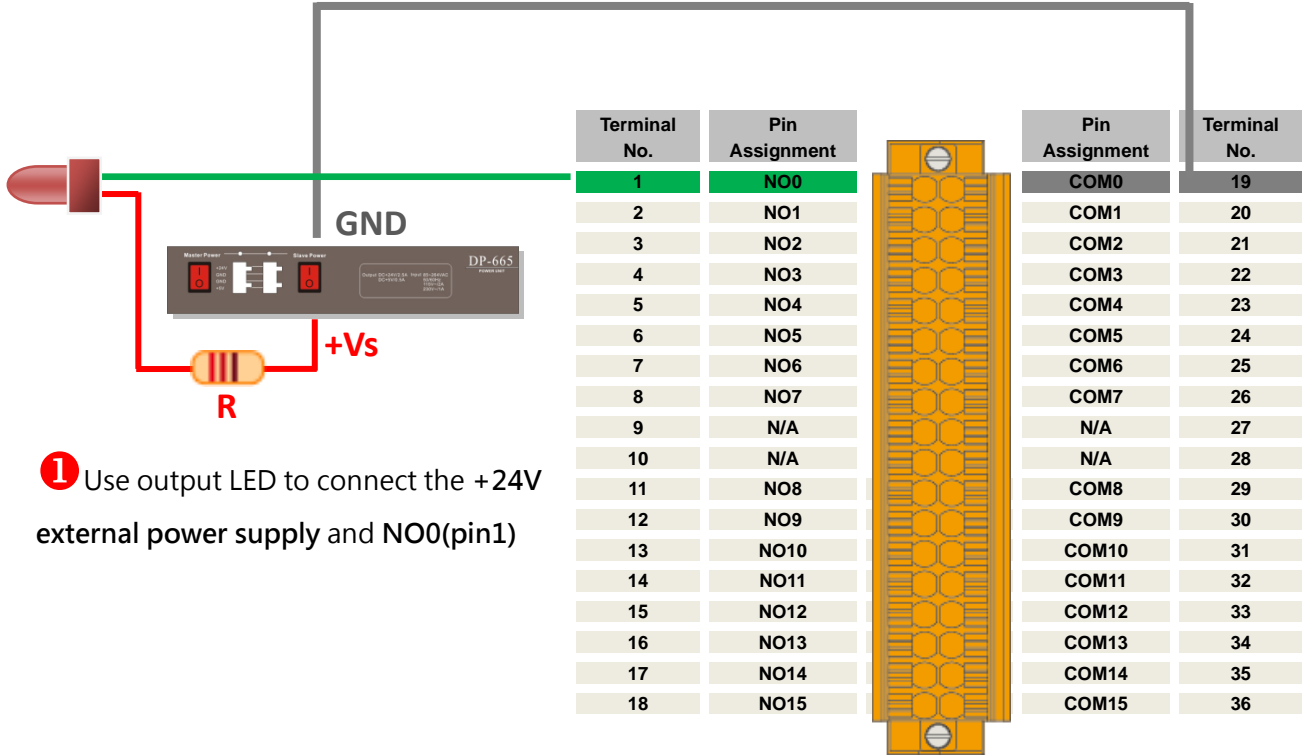


Wire Diagrams

Output Type	Readback as 1 (ON State)	Readback as 0 (OFF State)
Relay Output	<p>RLx.COM</p> <p>AC/DC</p> <p>LOAD</p> <p>RLx.NO</p> <p>Relay Close</p> <p>To other channels</p>	<p>RLx.COM</p> <p>AC/DC</p> <p>LOAD</p> <p>RLx.NO</p> <p>Relay Open</p> <p>To other channels</p>

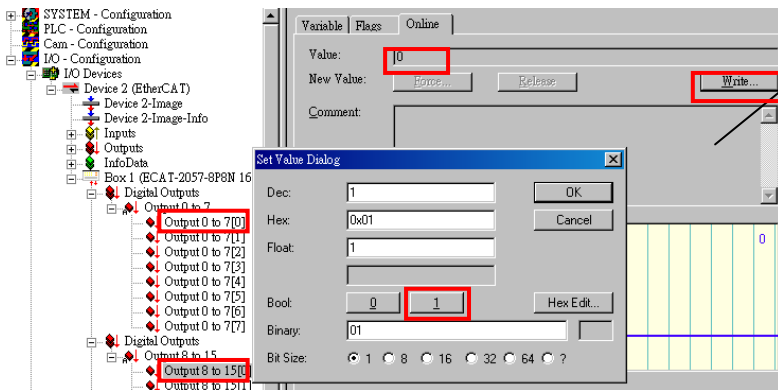
Wiring the DO0

2 Connect the GND on external power supply to the COM0(Pin19)



1 Use output LED to connect the +24V external power supply and NO0(pin1)

Verifying the DO functionality



In the left-hand of the window, click on the Output 0 to 15, then click Output 0 to 15[0].
In the right-hand of the windows, click the online.
Click Write.
Click 1 (Configure DO0 to Logic1).



LED is lighting.



Related Information

Product Page:

http://www.icpdas.com/root/product/solutions/industrial_communication/fieldbus/ethercat/io_module/ecat-2061.html

Documentation:

ftp://ftp.icpdas.com/pub/cd/fieldbus_cd/ethercat/slave/ecat-2000/

ESI file:

http://ftp.icpdas.com/pub/cd/fieldbus_cd/ethercat/slave/ecat-2000/software/

DP-665(Optional) Product Page:

http://www.icpdas.com/products/Accessories/power_supply/dp-665.htm