

Quick Start for ECAT-2055-32

English / July,2016/ Ver 1.0

1 Shipping Package

This shipping package contains the following items

1 x ECAT-2000 module

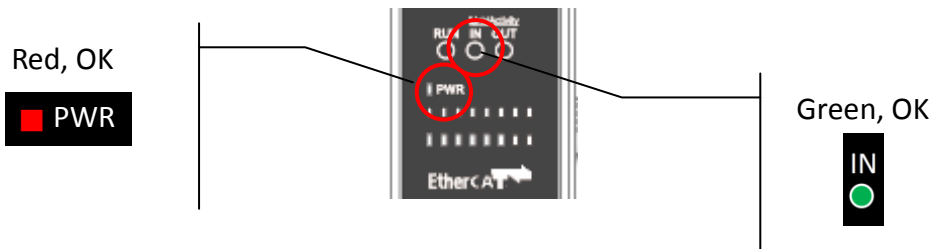
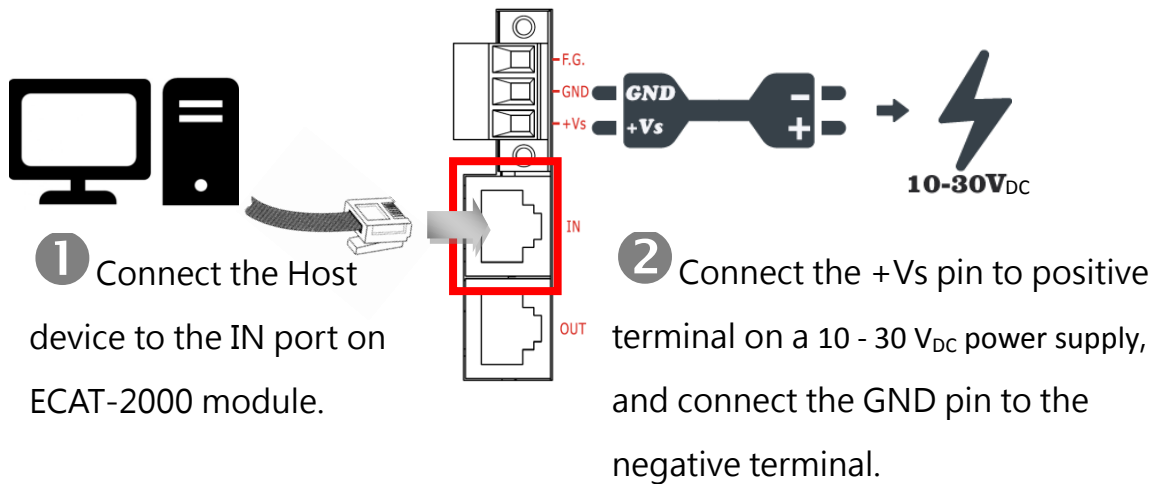


1 x Quick Start Guide (This Document)



2 Connecting the Power and Host device

Switch on module and connect it to an EtherCAT network



3 Search Modules



ESI file

The latest ESI file (ICPDAS ECAT-2000.xml) can be downloaded from ICP DAS website at

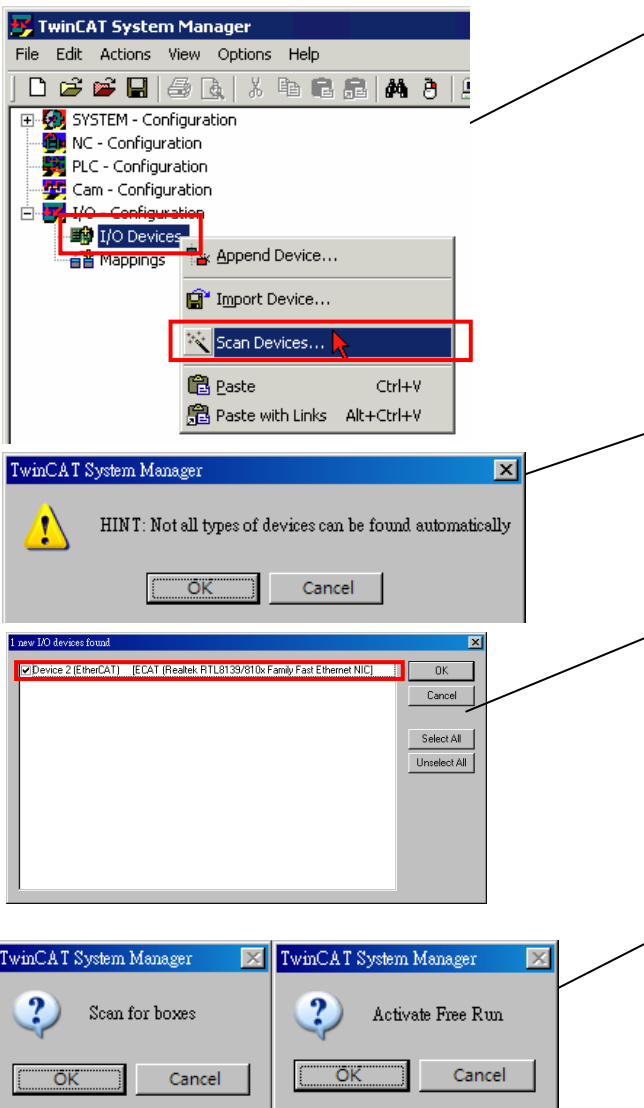
 http://ftp.icpdas.com/pub/cd/fieldbus_cd/ethercat/slave/ecat-2000/software/

Install the ESI file

Copy the “ICPDAS ECAT-2000.xml” file to the Master Tools installation folder, as indicated in the table below.

| Software | Default Path |
|---------------------------------|-----------------------------------|
| Beckhoff EtherCAT Configuration | C:\EtherCAT Configurator\EtherCAT |
| Beckhoff TwinCAT 3.X | C:\TwinCAT\3.x\Config\Io\EtherCAT |
| Beckhoff TwinCAT 2.X | C:\TwinCAT\Io\EtherCAT |

Run the EtherCAT Master software (Beckhoff TwinCAT 2.X)



Switch on power

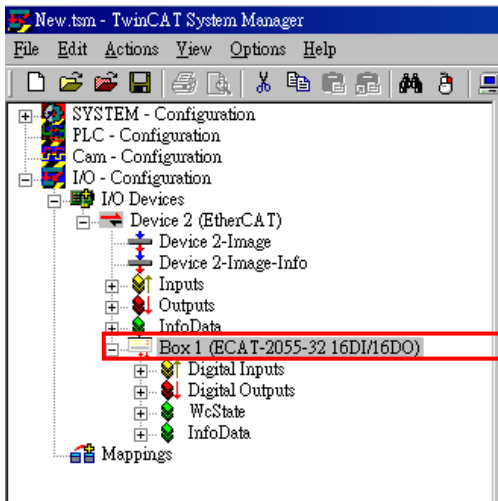
Execute the TwinCAT System Manager(Config mode)

I/O Devices-> Right click-> Scan Devices...

Click OK

Choose the correct network device which is connected to ECAT-2000

Click Yes to start scanning and click Yes to activate the free run mode for TwinCAT system manager

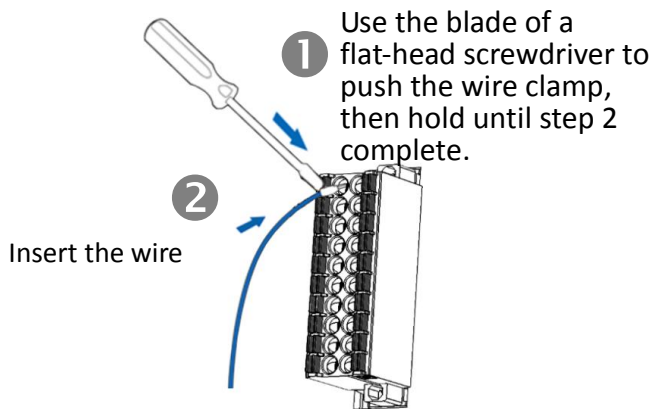


ECAT-2000 is now shown in the TwinCAT system Manager

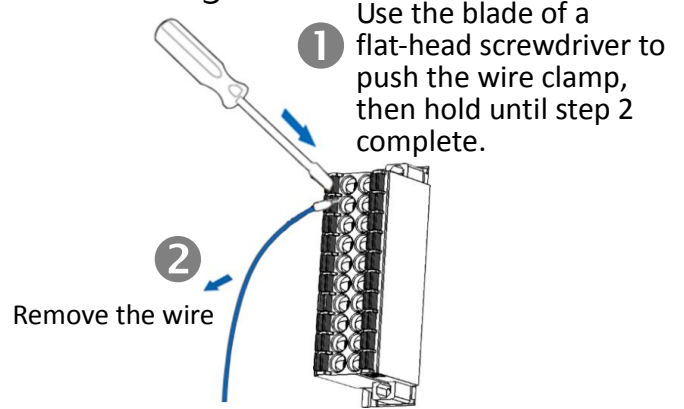
4 Wiring to the connector

Wiring Tip

Connection the Wire

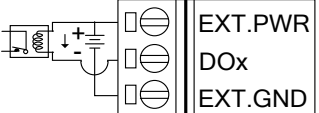
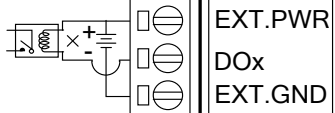
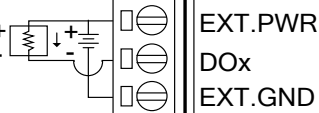
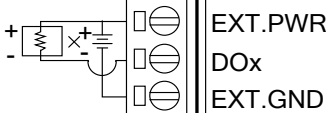


Removing the wire



Wire Diagrams

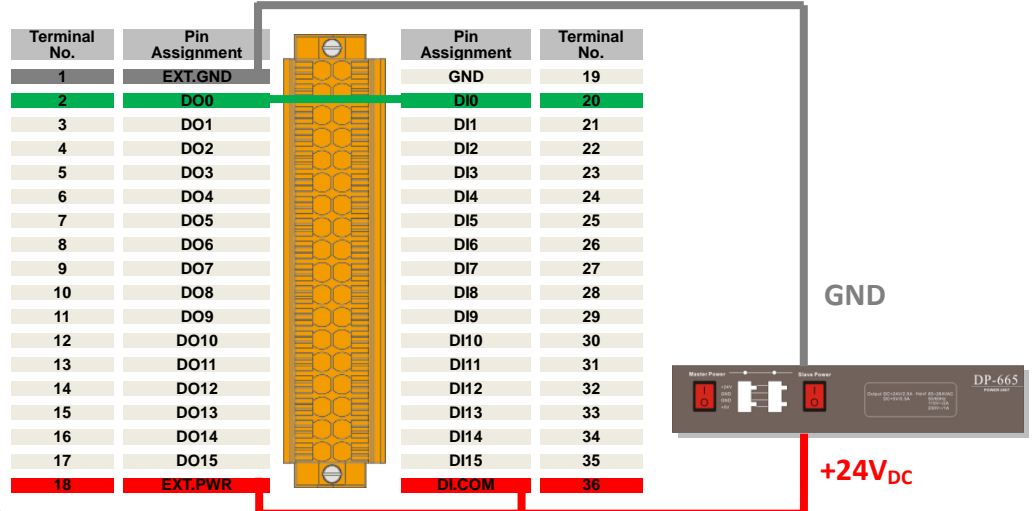
| Digital Input/Counter | Readback as 1 (+10 ~ +50 VDC) | Readback as 0 (Open or < 4VDC) |
|-----------------------|-------------------------------|--------------------------------|
| Sink | | |
| Source | | |
| Digital Input/Counter | Readback as 1 (Close to GND) | Readback as 0 (Open) |
| Dry | | |

| Output Type | Readback as 1 (ON State) | Readback as 0 (OFF State) |
|-----------------|---|---|
| Driver Relay |  |  |
| Resistance Load |  |  |

Wiring the DO0 and DI0 Pins

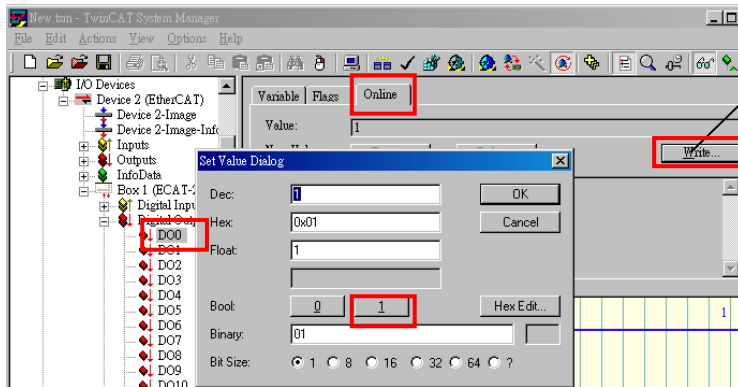
3 Connect the GND on external power supply to the EXT.GND(Pin1)

1 Connect the DO0(Pin2) to the DI0 (Pin20)



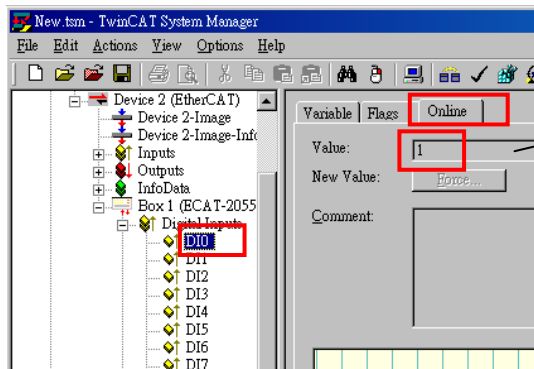
2 Connect +24V external power supply to the DI.COM(Pin36) and EXT.PWR(pin18)

Verifying the DI and DO functionality



In the left-hand of the window, click on the DO0. In the right-hand of the windows, click the online. Click Write.

Click 1 (Configure DO0 to Logic1).



In the left-hand of the window, click DI0. In the right-hand of the windows, click the online. Check Value is 1.



Related Information

Product Page:

http://www.icpdas.com/root/product/solutions/industrial_communication/fieldbus/ethercat/io_module/ecat-2055-32.html

Documentation:

ftp://ftp.icpdas.com/pub/cd/fieldbus_cd/ethercat/slave/ecat-2000/

ESI file:

http://ftp.icpdas.com/pub/cd/fieldbus_cd/ethercat/slave/ecat-2000/software/

DP-665(Optional) Product Page:

http://www.icpdas.com/products/Accessories/power_supply/dp-665.htm