



### Features

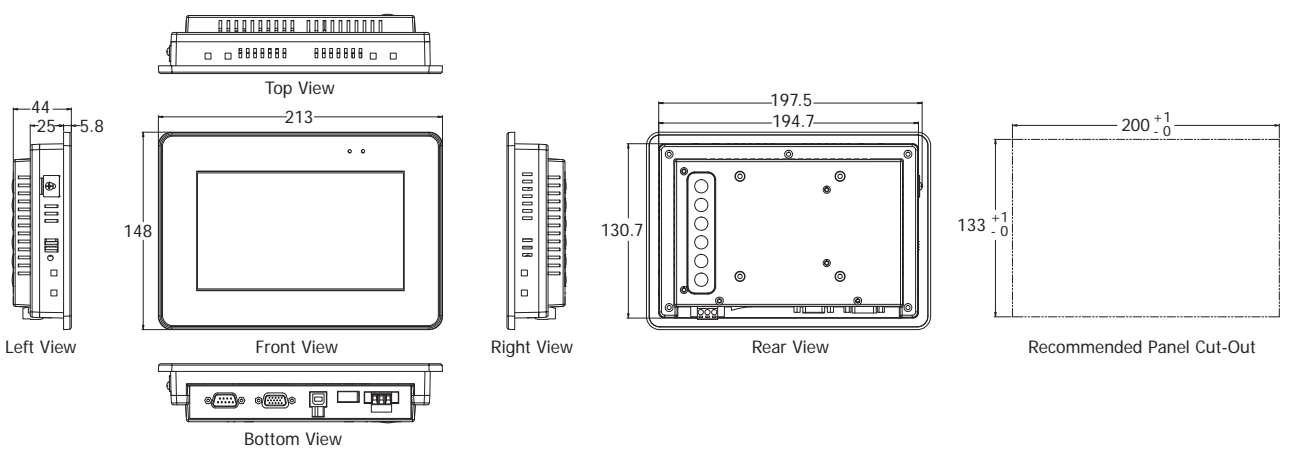
- 7" LCD supports 800 x 480 resolution
- Resistive Touch Panel
- Full-function OSD control
- Driver Support: Windows 2k/XP/Vista/7/WES/WinCE 5.0/6.0/Linux
- LED backlight technology
- IP65 Compliant Front Panel
- Wide operating temperature: -20 ~ +70°C

**TP-2070**  
7" Touch Panel Monitor

### Specifications

Models	TP-2070
<b>Display</b>	
Size	7"
Resolution	800 x 480
Luminance	400 cd/m2
Touch screen	4-wire, analog resistive; Light Transmission: 80%
Contrast Ratio	500 : 1
Viewing Angle (H/V)	140/120
Backlight Life (hrs)	20,000
Touchscreen function	Combo RS-232 & USB interface
Input Signal	VGA (Analog RGB)
<b>MMI (Man Machine Interface)</b>	
OSD Control	Functions: Brightness, Contrast, Clock, Phase, Horizontal Position, Vertical Position and Sharpness
Power Switch	Yes
LED Indicators	Power, Display signal is detected
<b>Power</b>	
Input Range	+12 ~ 48 Vdc
Power Consumption	5 W
<b>Mechanical</b>	
Dimensions (W x L x H)	213 mm x 148 mm x 44 mm
Casing	Plastic
Installation	Panel Mounting, VESA (75 x 75) Mounting
Ingress Protection	Front panel: IP65
<b>Environmental</b>	
Operating Temperature	-20 ~ +70°C
Storage Temperature	-30 ~ +80°C
Ambient Relative Humidity	10 ~ 90% RH (non-condensing)

### Dimensions (Units: mm)



### Ordering Information

TP-2070	7" (800 x 480) resistive touch panel monitor with RS-232 or USB interface Accessories: Power supply, VGA cable, RS-232 cable, USB cable, Mounting clamps and screws
---------	--