



LP-2241M

Features

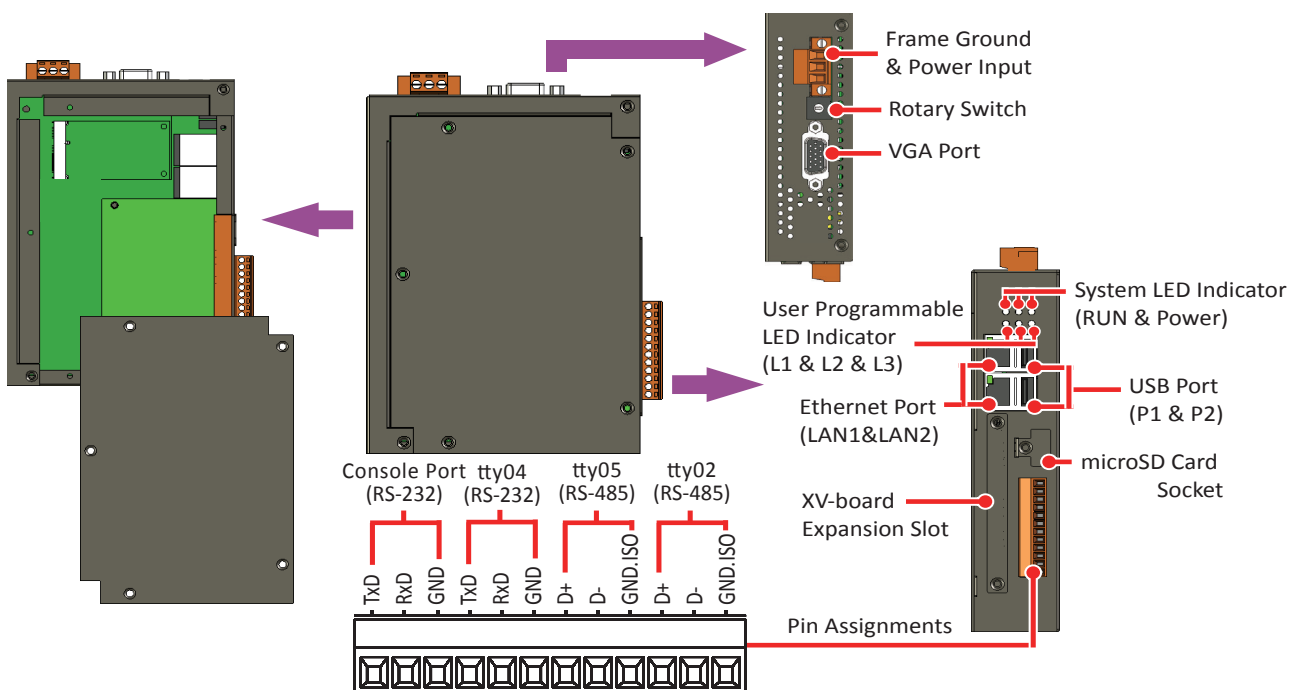
- Cortex-A8, 1GHz CPU
- Linux kernel 3.2.14
- 512 MB DDR3 and 512 MB Flash
- 64-bit Hardware Serial Number
- Real-Time Capability
- I/O Expansion Bus
- 10/100/1000M Dual Ethernet Ports
- 3 Serial Ports (RS-232/485)
- Operating Temperature: -25 ~ +75°C



Introduction

The LP-2241M is equipped a Cortex-A8 CPU (1 GHz) and using Linux operating system (Linux Kernel 3.2.14). Linux Kernel 3.2.14 is a compact and real-time OS used to quickly create time critical and high performance applications. Main advantage of the LP-2241M is its high quality control system, including its stability, small core size, optional I/O expansion board, support for Web services (Web/SFTP/SSH server).

Appearance



Specifications

System Software	
OS	Linux Kernel 3.2.14
Embedded Service	SFTP server, Web server, SSH
SDK Provided	LinPAC SDK (GCC based toolchain and LinPAC Libraries)
CPU Module	
CPU	Cortex-A8, 1 GHz
SDRAM	512 MB DDR3
Flash	512 MB
FRAM	64 KB
Expansion Flash Memory	microSD socket with one 4 GB microSD card (support up to 32 GB microSDHC card)
RTC (Real Time Clock)	Provide second, minute, hour, date, day of week, month, year
64-bit Hardware Serial Number	Yes, for Software Copy Protection
Dual Watchdog Timers	Yes
LED Indicators	1 LED for Power, 1 LED for Running and 3 LEDs for user defined
Rotary Switch	Yes (0 to 9)
VGA & Communication Ports	
VGA & Communication Ports	VGA x 1 (max. resolution up to 1280 x 1024)
Ethernet	RJ-45 x 2, 10/100/1000 Based-TX (Auto-negotiating, Auto MDI/MDI-X, LED indicators)
USB 2.0 (host)	2
Console Port	RS-232 (Rx, Tx and GND); Non-isolated
ttyO2	RS-485 (Data+, Data-); Non-isolated
ttyO4	RS-232 (Rx, Tx and GND); Non-isolated
ttyO5	RS-485 (Data+, Data-); 2500 V _{DC} isolated
I/O Expansion	
I/O Expansion Bus	Yes, one optional XV-board
Mechanical	
Casing	Metal
Dimensions (W x L x H)	35 mm x 167 mm x 119 mm
Installation	DIN-Rail and Wall Mounting
Environmental	
Operating Temperature	-25 to +75°C
Storage Temperature	-40 to +80°C
Ambient Relative Humidity	10 to 90% RH (non-condensing)
Power	
Input Range	+12 to +48 V _{DC}
Consumption	4.8 W

Ordering Information

LP-2241M CR	PAC with Linux OS and two LAN port (Metal Case)(RoHS)
--------------------	---

Option Accessories

XV-Board	Add-on I/O Expansion Board
-----------------	----------------------------