

Highlight Information

- Modbus TCP and RTU protocols
- Allowed a Maximum of 8 Host PCs Access Simultaneously
- 4/8 Slots for I-8K and I-87K series I/O modules
- Supports Auto Configuration for I/O modules
- Push Buttons to Configure IP Address
- Firmware Updateable via the Ethernet or RS-232
- Firmware Programmable (C language Modbus Lib Provided)
- Operating Temperature: -25 ~ +75 °C

CE FC

Introduction

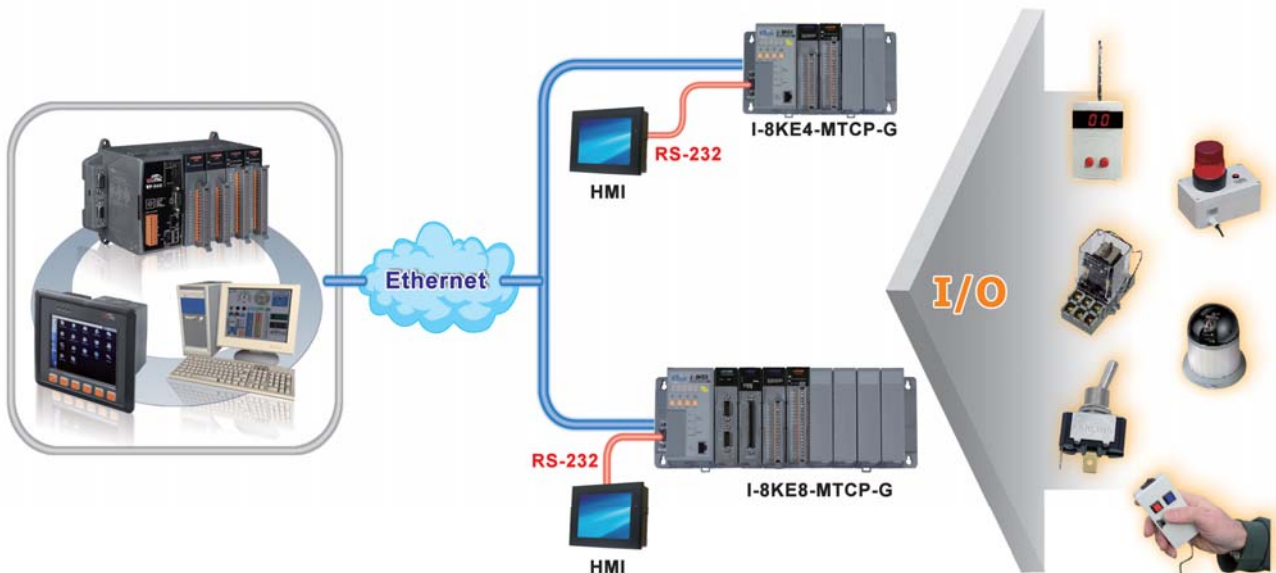
I-8KE4-MTCP, I-8KE8-MTCP, I-8431-80-MTCP and I-8831-80-MTCP are remote I/O expansion units to expand I-8K and I-87K I/O modules over the Ethernet for industrial monitoring and controlling applications. And it also has one or several built-in RS-232/485 ports to support Modbus RTU to link a HMI.

The units are designed to be used in harsh and noisy environment, so the hardware is manufactured with wide power input range (10 ~ 30 V_{DC}), isolated power input and can operate under wide temperature (-25 ~ +75 °C). To simplify installation and maintenance of I/O modules, they provide many useful features, such as: auto configuration, LED indicators for fault detection, dual watchdog to keep alive, programmable power-on and safe values for safety.

There are more than 30 I/O modules support with the units, including analog input/output, digital input/output, counter input, frequency input modules. Most SCADA software supports Modbus protocol, thus users can easily and quickly integrate the units to the SCADA software. Further more, we also provide nModbus.dll on Windows XP/Vista/7 and CE5/6 to VS.NET programmers.

Applications

Rich I/O Expansion Ability

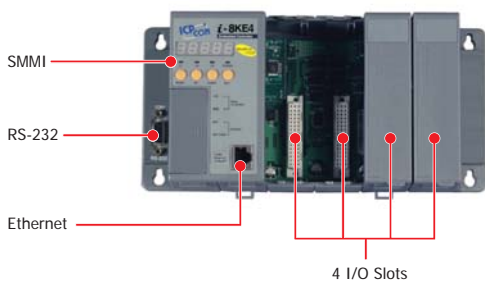


Specifications

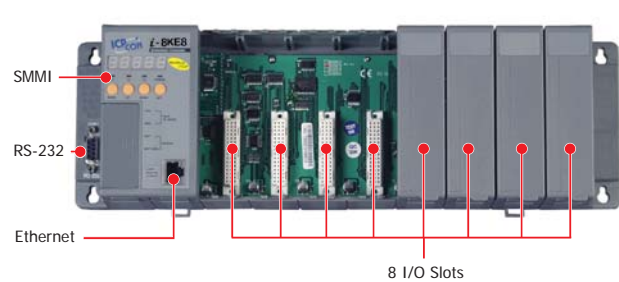
Models	I-8KE4-MTCP	I-8KE8-MTCP	I-8431-80-MTCP	I-8831-80-MTCP
CPU Module				
CPU	80186 (16-bit and 80MHz)			
SRAM	512 KB			
Flash	512 KB			
EEPROM	2 KB			
NVRAM	-		31 Bytes	
RTC (Real Time Clock)	-		Yes	
64-bit Hardware Serial Number	-		Yes, for Software Copy Protect	
Built-in Watchdog Timer	Yes			
Communication Interface				
COM1	RS-232, non-isolated			
COM2	-			
COM3	-		RS-232/485, non-isolated	
COM4	-		RS-232, non-isolated	
Ethernet	10M BaseT			
Protocol	Modbus TCP and Modbus RTU			
SMMI				
5 - Digit LED Display	Yes			
Programmable LED Indicators	3			
Push Buttons	4			
I/O Expansion Slots				
Auto Configuration	Yes			
Support Module Type	High/Low profile I-8K and I-87K modules			
Slot Number	4	8	4	8
Mechanical				
Dimensions (W x H x D)	230 mm x 110 mm x 75.5 mm	354 mm x 110 mm x 75.5 mm	230 mm x 110 mm x 75.5 mm	354 mm x 110 mm x 75.5 mm
Installation	DIN-Rail or Wall Mount			
Environmental				
Operating Temperature	-25 ~ +75 °C			
Storage Temperature	-40 ~ +80 °C			
Ambient Relative Humidity	10 ~ 90% RH (non-condensing)			
Power				
Input Range	+10 ~ +30 V _{DC}			
Isolation	3000 V _{DC}			
Consumption	3.9 W	5.1 W	3.9 W	5.1 W

Appearance

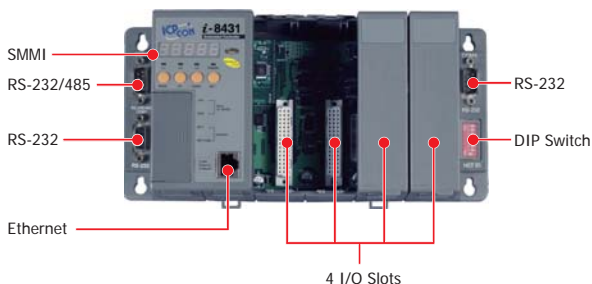
I-8KE4-MTCP-G



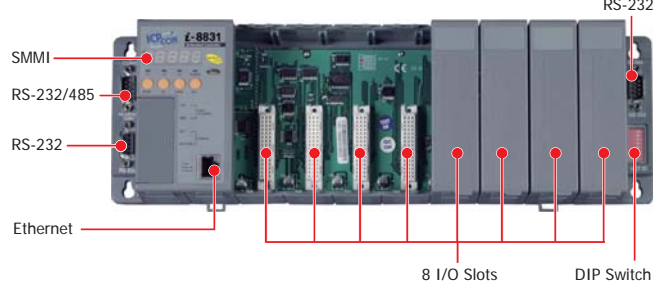
I-8KE8-MTCP-G



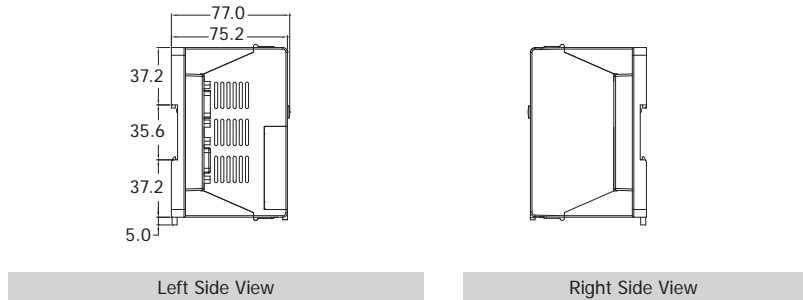
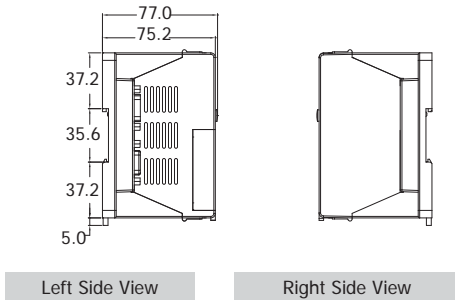
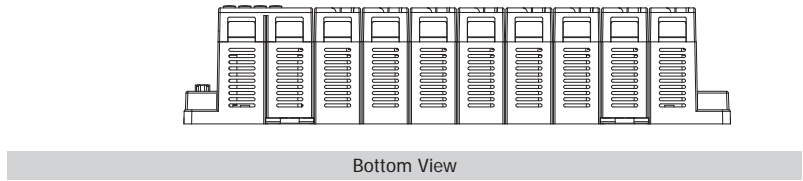
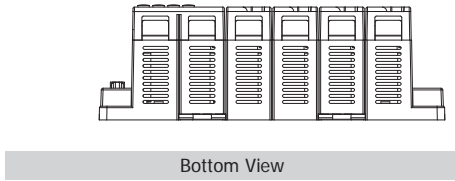
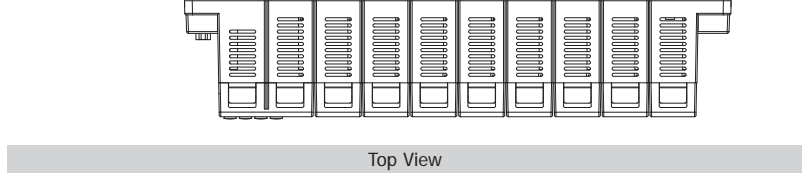
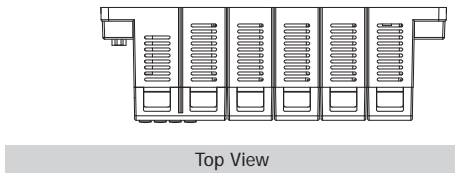
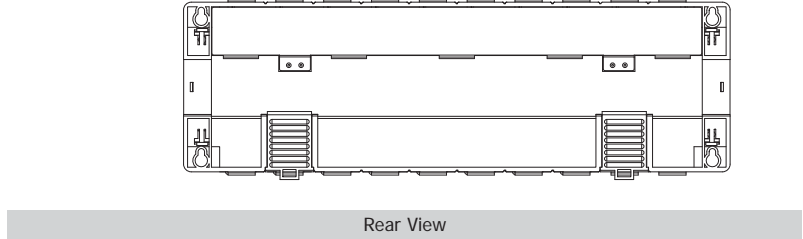
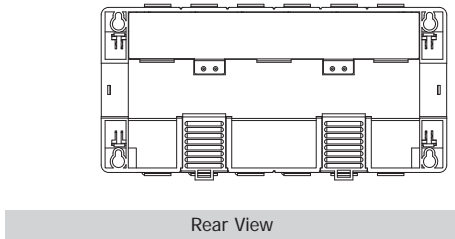
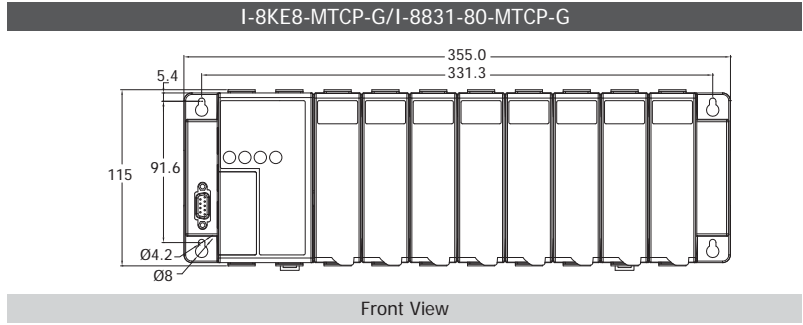
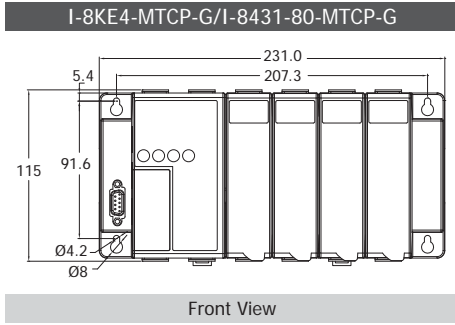
I-8431-80-MTCP-G



I-8831-80-MTCP-G



Dimensions (Units: mm)



Ordering Information

I-8KE4-MTCP-G	4-slots Ethernet I/O unit with Modbus protocol and one built-in COM port (Gray color)
I-8KE8-MTCP-G	8-slots Ethernet I/O unit with Modbus protocol and one built-in COM port (Gray color)
I-8431-80-MTCP-G	4-slots Ethernet I/O unit with Modbus protocol and three built-in COM ports (Gray color)
I-8831-80-MTCP-G	8-slots Ethernet I/O unit with Modbus protocol and three built-in COM ports (Gray color)

Accessories

DP-660	24 V _{DC} /2.5 A, 60 W and 5 V _{DC} /0.5 A, 2.5 W Power Supply with DIN-Rail Mounting
DP-665	24 V _{DC} /2.7 A, 65 W Power Supply with DIN-Rail Mounting
DP-1200 CR	24 V _{DC} /5.0 A, 120 W Power Supply with DIN-Rail Mounting (RoHS)
MDR-20-24 CR	24 V _{DC} /1.0 A, 24 W Power Supply with DIN-Rail Mounting (RoHS)
I-7560 CR	USB to RS-232 Converter (RoHS)