

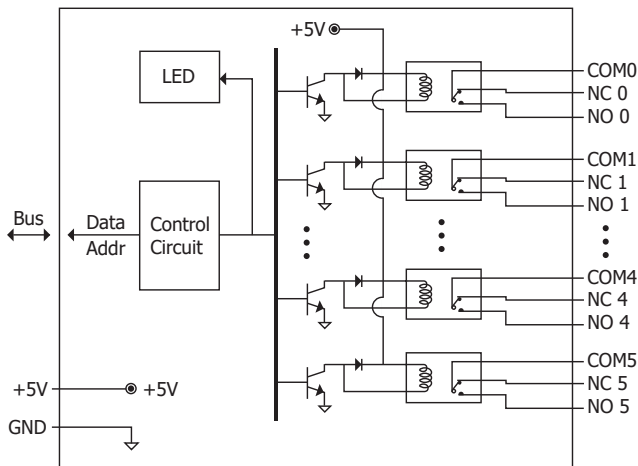
I/O Specifications

Model	I-8060
Digital Output	
Channels	6
Type	Power Relay, Form C
Operating Voltage Range	0.6 A @ 125 VAC (47 ~ 63 Hz) 2 A @ 30 Vdc
Max. load Current	2.0 A at 65°C
Max. Operate Time	10 ms Max.
Max. Release Time	5 ms Max.
Dielectric Strength	Between Open Contacts: 500 Vrms (at 1 Minute)
	Between Coil and Contacts: 1000 Vrms (at 1 Minute)
Relay Life	Mechanical : 100,000,000 min.
	Electrical : 500,000 Min. at 30 VDC @ 2A, Resistive

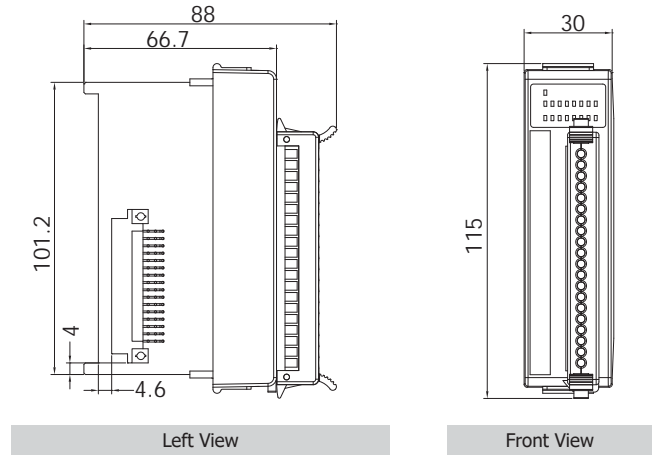
System Specifications

Model	I-8060
LED Indicators	
Power LED Indicator	Yes
I/O LED Indicator	6 LEDs as Relay Output Indicators
Isolation	
Intra-module Isolation, Field-to-Logic	3750 Vrms
EMS Protection	
ESD (IEC 61000-4-2)	±4 kV Contact for each Terminal
Power	
Power Consumption	0.2A @ 5V = 1W, ±5% For Hardware version 3.0
Mechanical	
Dimensions (W x L x H)	30 mm x 88 mm x 115 mm
Environment	
Operating Temperature	-25 ~ +75°C
Storage Temperature	-30 ~ +80°C
Humidity	10 ~ 90% RH, Non-condensing

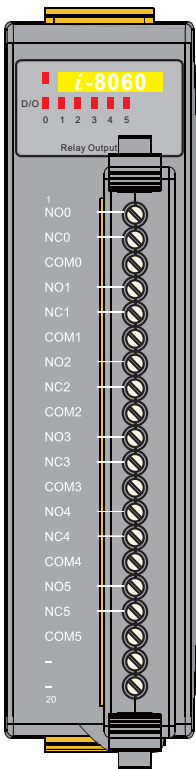
Internal I/O Structure



Dimensions (Units: mm)



Pin Assignments



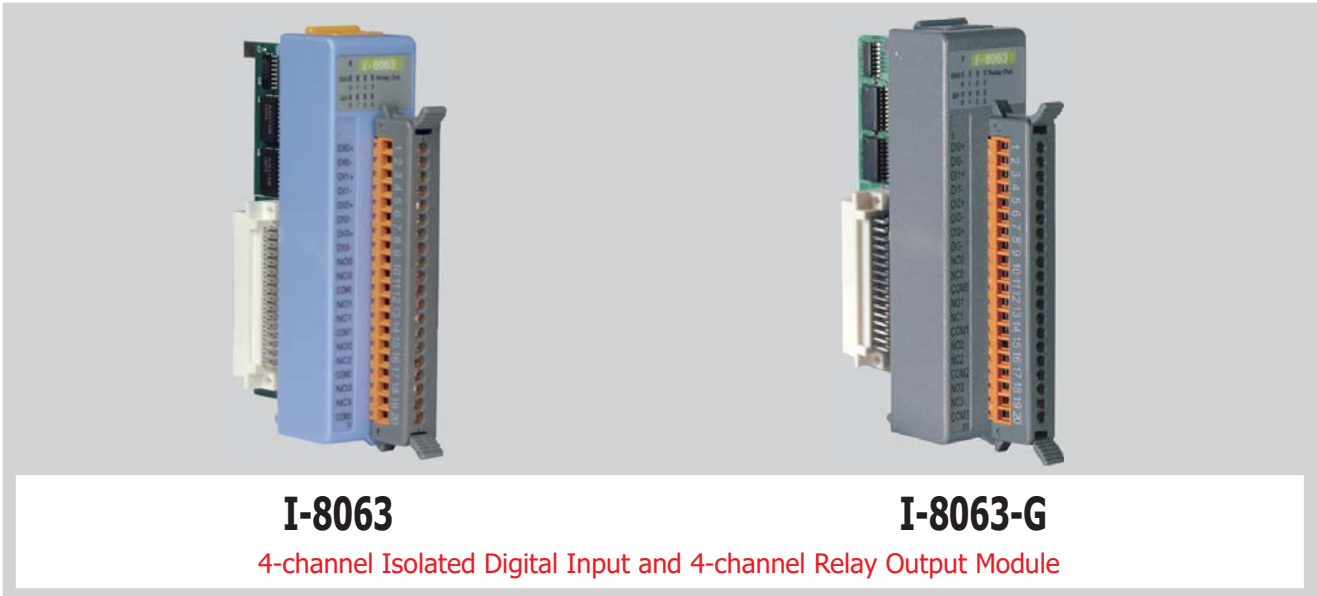
Terminal No.	Pin Assignment
01	NO0
02	NC0
03	COM0
04	NO1
05	NC1
06	COM1
07	NO2
08	NC2
09	COM2
10	NO3
11	NC3
12	COM3
13	NO4
14	NC4
15	COM4
16	NO5
17	NC5
18	COM5
19	-
20	-

Wire Connections

Output Type	ON State LED ON Readback as 1	OFF State LED OFF Readback as 0
Relay Contact	Relay ON	Relay OFF

Ordering Information

I-8060	6-channel Relay Output Module (Blue Cover)
I-8060 CR	6-channel Relay Output Module (Blue Cover) (RoHS)
I-8060-G	6-channel Relay Output Module (Gray Cover)
I-8060-G CR	6-channel Relay Output Module (Gray Cover) (RoHS)



I-8063

I-8063-G

4-channel Isolated Digital Input and 4-channel Relay Output Module

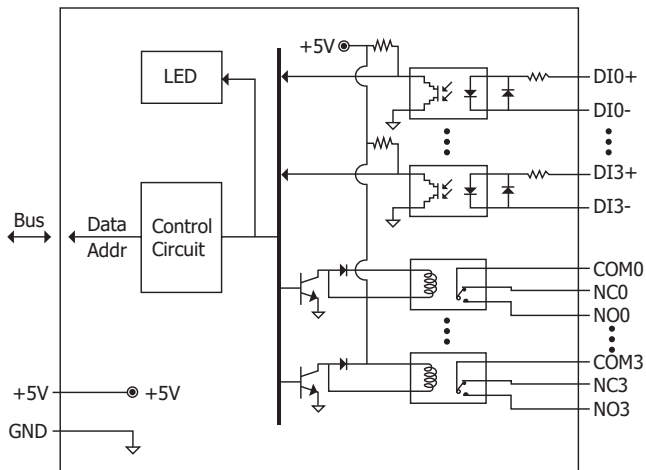
I/O Specifications

Model	I-8063
Digital Input	
Channels	4 (Sink/Source)
Input Type	Isolation, Differential
On Voltage Level	+3.5 V ~ 30 V
Off Voltage Level	+1 V Max.
Input Impedance	3 KOhms, 0.25 W
Digital Output	
Channels	4
Type	Power Relay, Form C
Operating Voltage Range	5 ~ 110 VAC @ 0.6A (47 ~ 63 Hz), 5 ~ 24 VDC @ 2A
Relay Contact Voltage Range	0 ~ 125 VAC @ 0.6A (47 ~ 63 Hz), 0 ~ 30 VDC @ 2A
Max. Load Current	2.0 A at 65°C
Max. Operate Time	3 ms Max.
Max. Release Time	2 ms Max.
Insulation Resistance	Min. 100 MOhms, at 500 VDC
Dielectric Strength	Between Open Contacts: 500 Vrms (at 1 Minute)
	Between Coil and Contacts: 1000 Vrms (at 1 Minute)
Relay Life	Mechanical : 100,000,000 min.
	Electrical : 500,000 Min. at 30 VDC @ 2A, Resistive

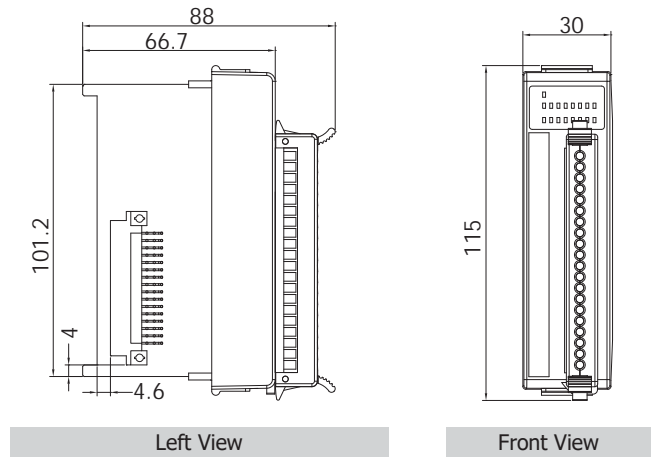
System Specifications

Model	I-8063
LED Indicators	
Power LED Indicator	Yes
I/O LED Indicator	8 LEDs as Digital Input and Relay Output Indicators
Isolation	
Intra-module Isolation, Field-to-Logic	3750 Vrms
EMS Protection	
ESD (IEC 61000-4-2)	±4 kV Contact for each Terminal
Power	
Power Consumption	0.4A @ 5V = 2W, ±5% For Hardware version 2.2
Mechanical	
Dimensions (W x L x H)	30 mm x 88 mm x 115 mm
Environment	
Operating Temperature	-25 ~ +75°C
Storage Temperature	-30 ~ +80°C
Humidity	10 ~ 90% RH, Non-condensing

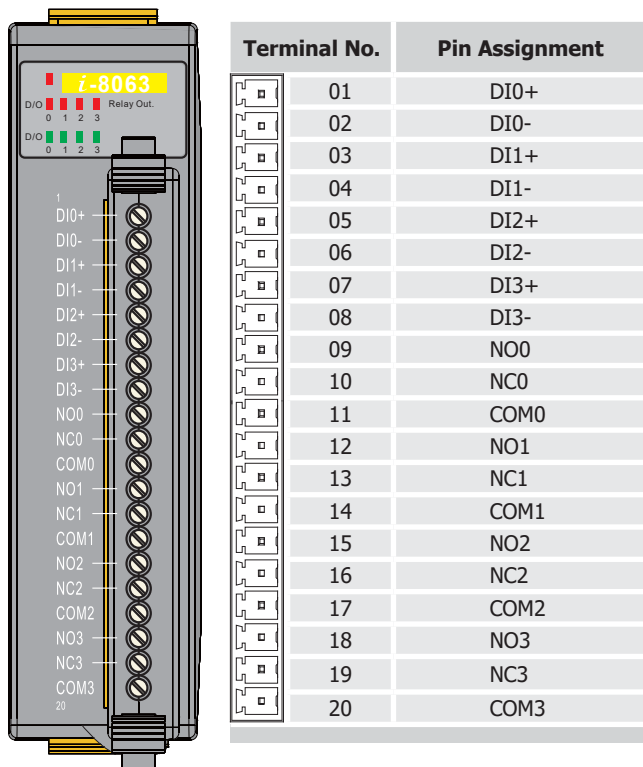
Internal I/O Structure



Dimensions (Units: mm)



Pin Assignments



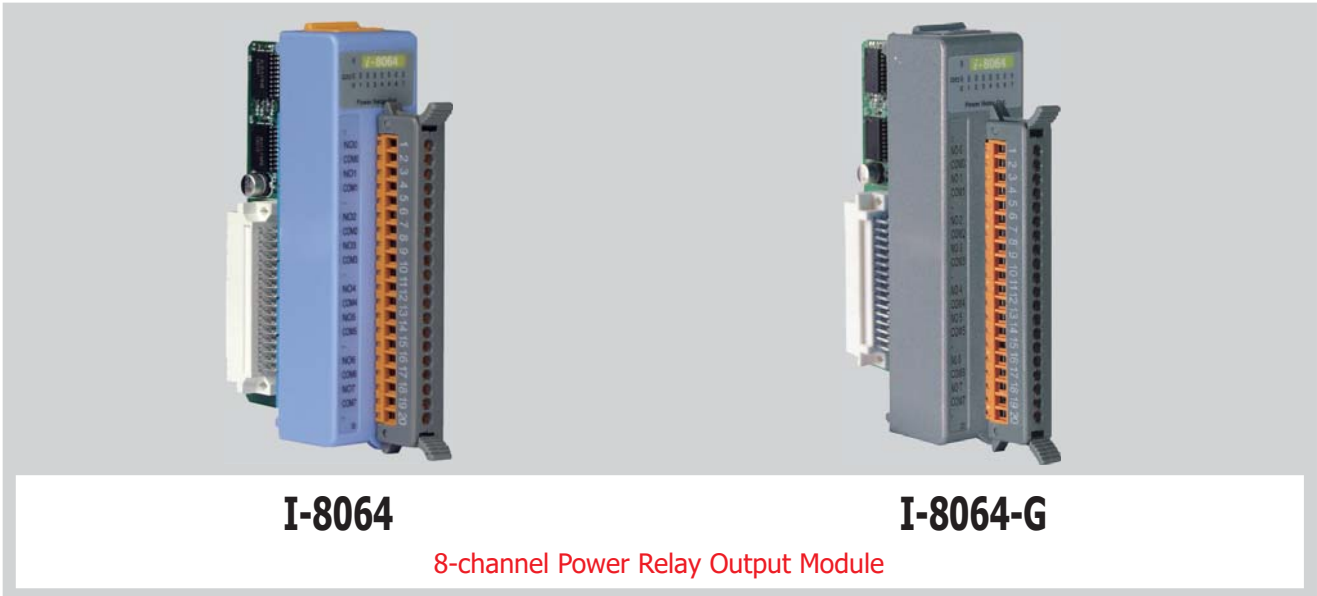
Wire Connections

Input Type	ON State LED ON Readback as 1	OFF State LED OFF Readback as 0
Relay Contact	Relay ON 	Relay OFF
	Voltage > 3.5 V 	Voltage < 1 V
Open Collector	Open Collector ON 	Open Collector OFF

Output Type	ON State LED ON Readback as 1	OFF State LED OFF Readback as 0
Relay Output	Relay ON 	Relay OFF

Ordering Information

I-8063	4-channel Isolated Digital Input and 4-channel Relay Output Module (Blue Cover)
I-8063 CR	4-channel Isolated Digital Input and 4-channel Relay Output Module (Blue Cover) (RoHS)
I-8063-G	4-channel Isolated Digital Input and 4-channel Relay Output Module (Gray Cover)
I-8063-G CR	4-channel Isolated Digital Input and 4-channel Relay Output Module (Gray Cover) (RoHS)



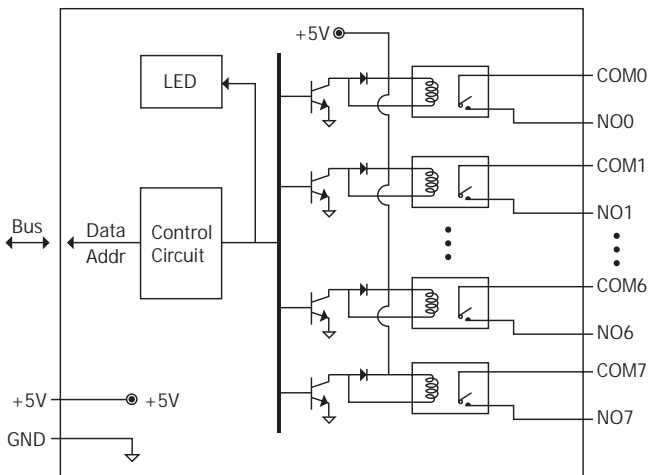
I/O Specifications

Model	I-8064
Digital Output	
Channels	8
Type	Power Relay, Form A (Normal Open)
Relay Contact Voltage Range	0 ~ 250 VAC (47 ~ 63 Hz) 0 ~ 30 VDC
Max. Load Current	5.0 Arms
Max. Operate Time	6 ms Max.
Max. Release Time	3 ms Max.
Insulation Resistance	Min. 1,000 MOhms, at 500 VDC
Surge Strength	4000V (at 1.2*50us)
Dielectric Strength	Between Open Contacts: 750 Vrms (at 1 Minute)
	Between Coil and Contacts: 2000 Vrms (at 1 Minute)
Relay Life	Mechanical: 2*10,000,000 Min.
	Electrical: 100,000 min. , Resistive

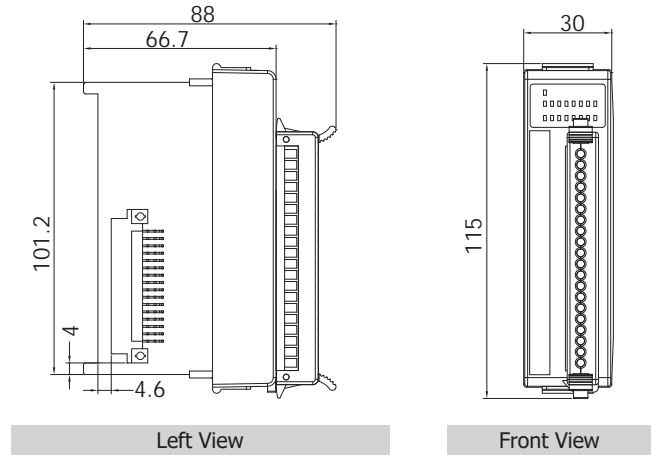
System Specifications

Model	I-8064
LED Indicators	
Power LED Indicator	Yes
I/O LED Indicator	8 LEDs as Relay Output Indicators
Isolation	
Intra-module Isolation, Field-to-Logic	3750 Vrms
EMS Protection	
ESD (IEC 61000-4-2)	±4 kV Contact for each Terminal
Power	
Power Consumption	0.48A @ 5V = 2.4W ,±5% For Hardware version 3.0
Mechanical	
Dimensions (W x L x H)	30 mm x 88 mm x 115 mm
Environment	
Operating Temperature	-25 ~ +75°C
Storage Temperature	-30 ~ +80°C
Humidity	10 ~ 90% RH, Non-condensing

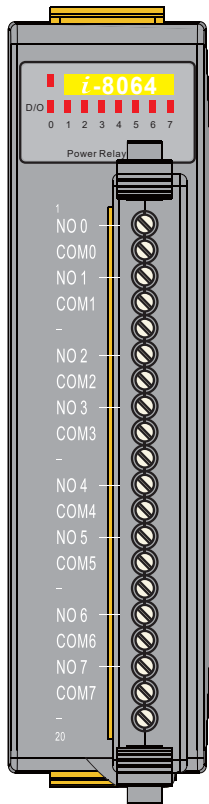
Internal I/O Structure



Dimensions (Units: mm)



Pin Assignments



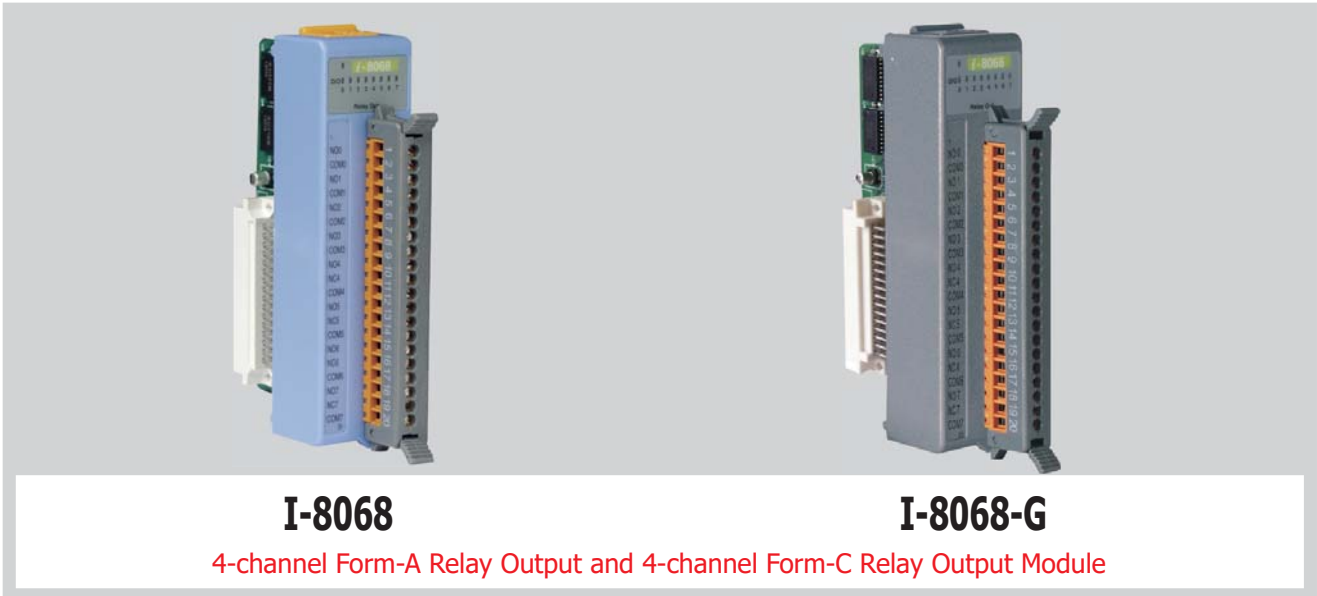
Terminal No.	Pin Assignment
01	NO0
02	COM0
03	NO1
04	COM1
05	-
06	NO2
07	COM2
08	NO3
09	COM3
10	-
11	NO4
12	COM4
13	NO5
14	COM5
15	-
16	NO6
17	COM6
18	NO7
19	COM7
20	-

Wire Connections

Output Type	ON State LED ON Readback as 1	OFF State LED OFF Readback as 0
	Relay ON	Relay OFF
Relay Contact		

Ordering Information

I-8064	8-channel Power Relay Output Module (Blue Cover)
I-8064 CR	8-channel Power Relay Output Module (Blue Cover) (RoHS)
I-8064-G	8-channel Power Relay Output Module (Gray Cover)
I-8064-G CR	8-channel Power Relay Output Module (Gray Cover) (RoHS)



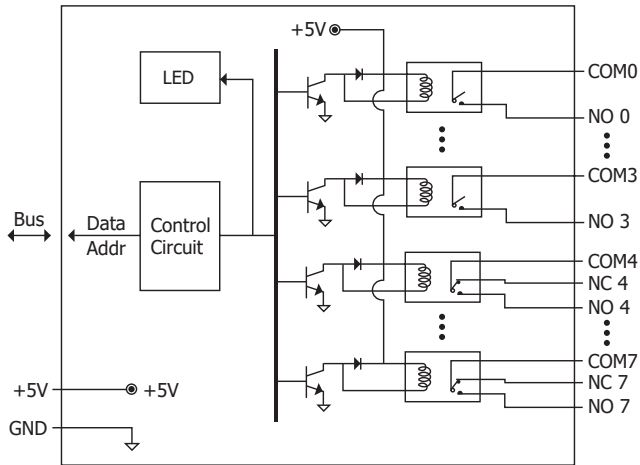
I/O Specifications

Model	I-8068
Digital Output	
Channels	8
Type	Power Relay, 4 Form A and 4 Form C
Operating Voltage Range	5 ~ 110 VAC @ 0.5A (47 ~ 63 Hz) 5 ~ 24 VDC @ 1A
Relay Contact Voltage Range	0 ~ 120 VAC @ 0.5A (47 ~ 63 Hz) 0 ~ 30 VDC @ 1A
Max. Load Current	1.0 A at 30 °C
Max. Operate Time	7 ms Max.
Max. Release Time	3 ms Max.
Dielectric Strength	Between Open Contacts : 500 Vrms (at 1 Minute)
	Between Coil and Contacts : 1000 Vrms (at 1 Minute)
Relay Life	Mechanical : 10,000,000 Min.
	Electrical : 500,000 Operation at 30V@1A, 200, 000 Operation at 120V @ 0.5A, Resistive

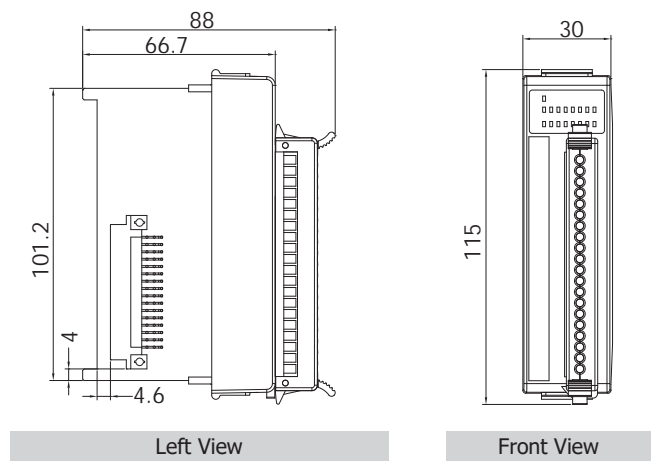
System Specifications

Model	I-8068
LED Indicators	
Power LED Indicator	Yes
I/O LED Indicator	8 LEDs as Relay Output Indicators
Isolation	
Intra-module Isolation, Field-to-Logic	3750 Vrms
EMS Protection	
ESD (IEC 61000-4-2)	±4 kV Contact for each Terminal
Power	
Power Consumption	0.48A @ 5V = 2.4W, ±5% For Hardware version 3.0
Mechanical	
Dimensions (W x L x H)	30 mm x 88 mm x 115 mm
Environment	
Operating Temperature	-25 ~ +75°C
Storage Temperature	-30 ~ +80°C
Humidity	10 ~ 90% RH, Non-condensing

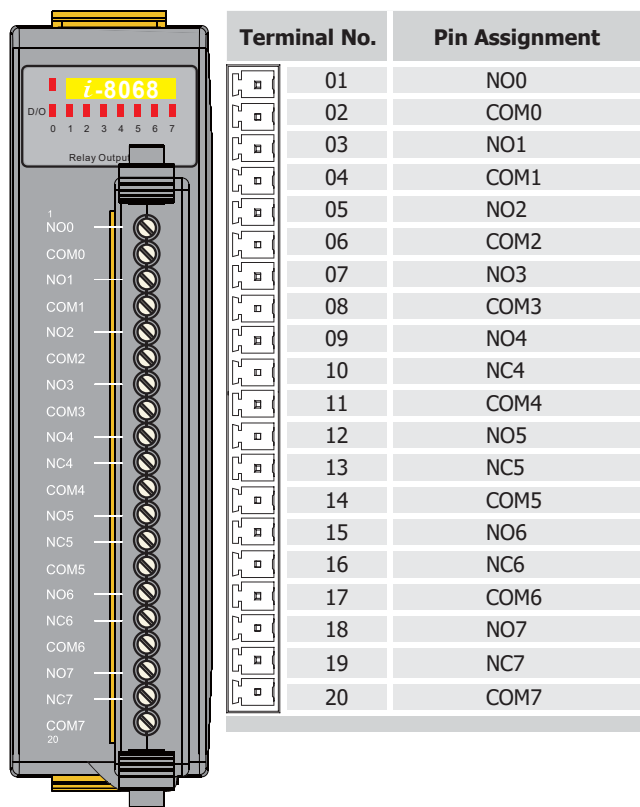
Internal I/O Structure



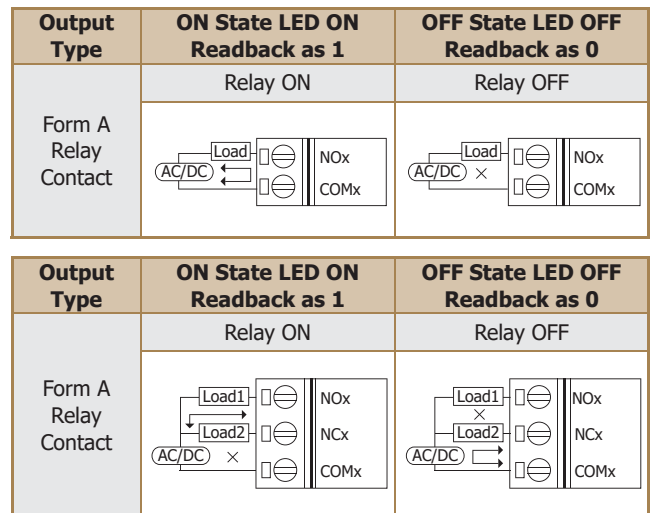
Dimensions (Units: mm)



Pin Assignments



Wire Connections



Ordering Information

I-8068	4-channel Form-A Relay Output and 4-channel Form-C Relay Output Module (Blue Cover)
I-8068 CR	4-channel Form-A Relay Output and 4-channel Form-C Relay Output Module (Blue Cover) (RoHS)
I-8068-G	4-channel Form-A Relay Output and 4-channel Form-C Relay Output Module (Gray Cover)
I-8068-G CR	4-channel Form-A Relay Output and 4-channel Form-C Relay Output Module (Gray Cover) (RoHS)